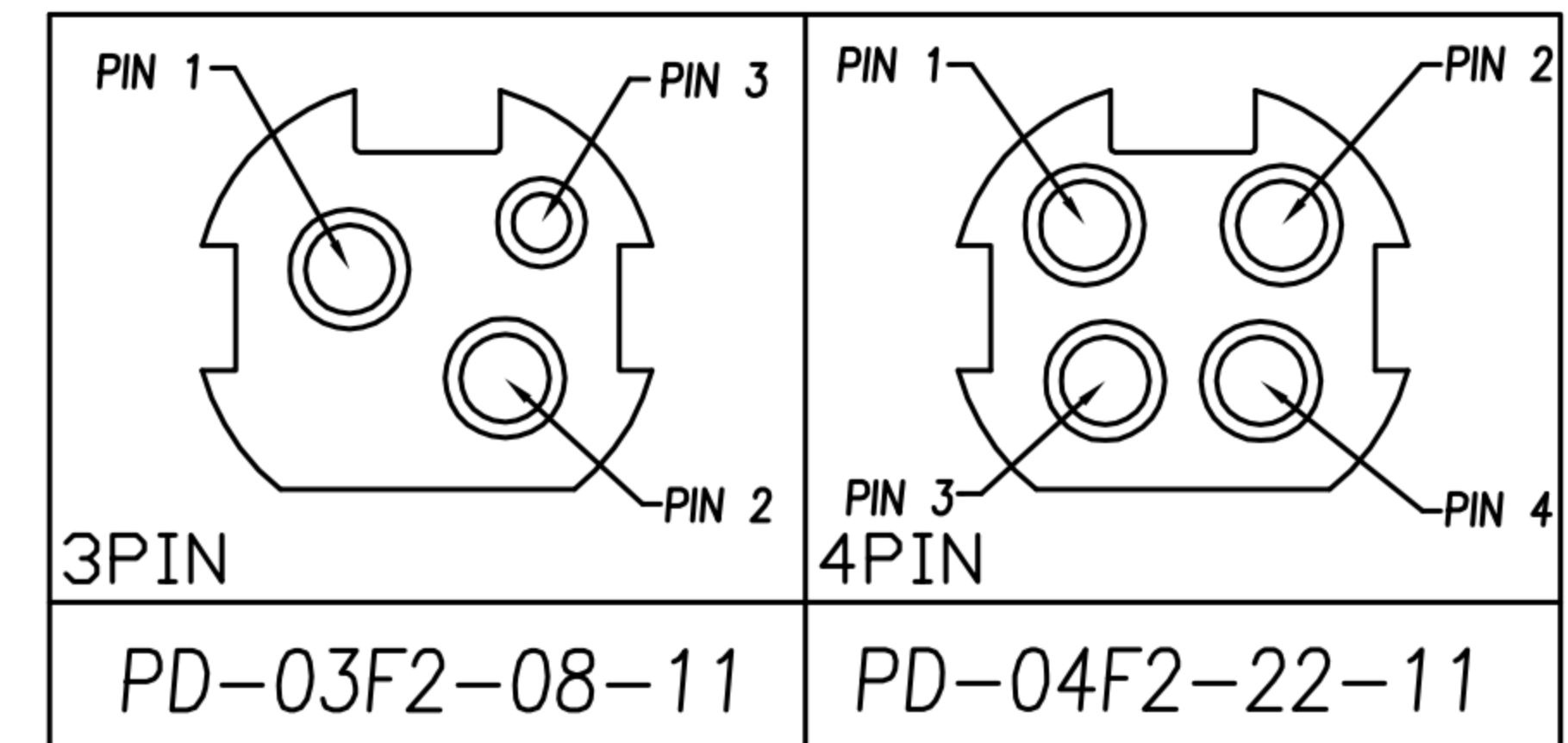
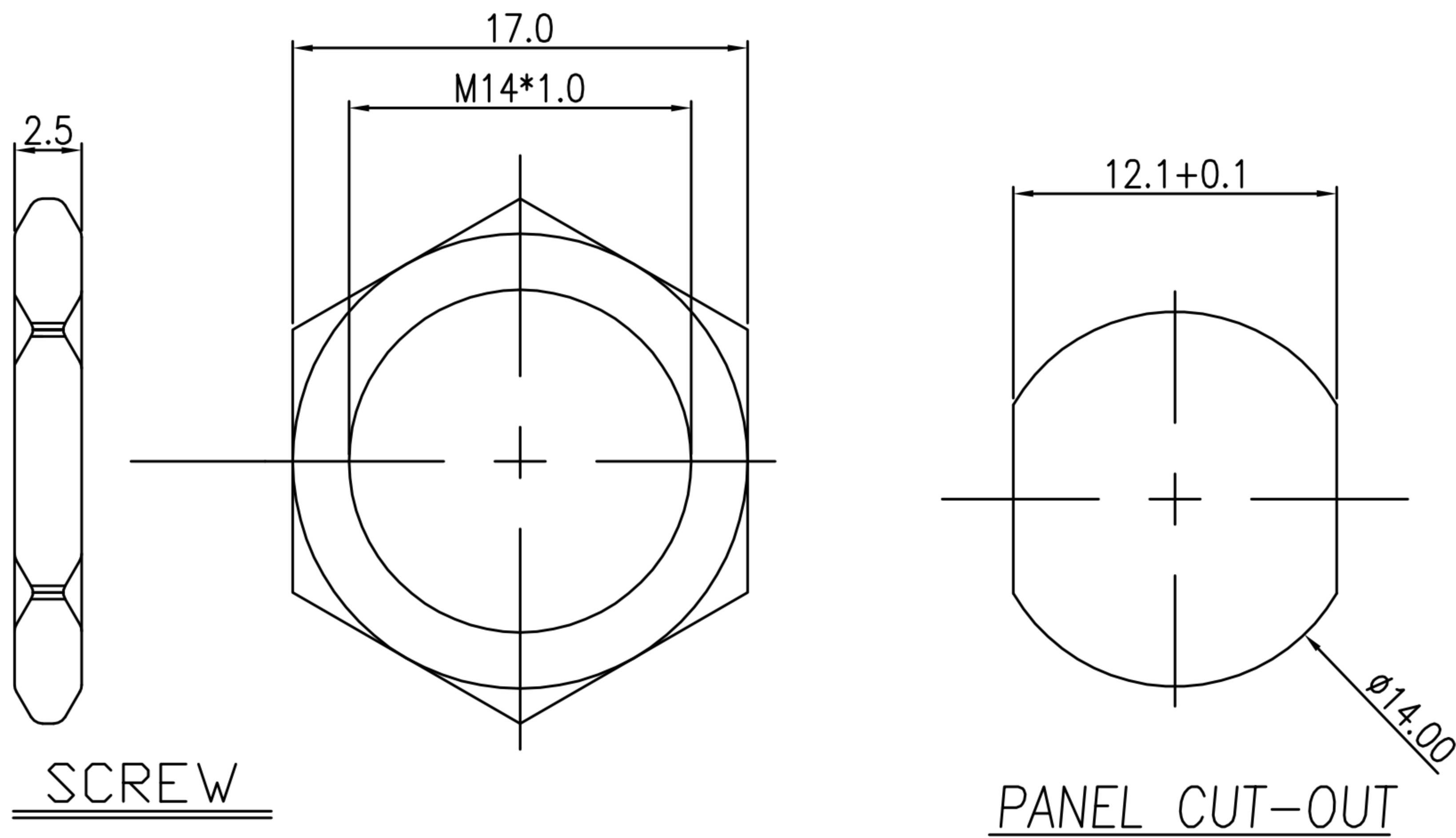
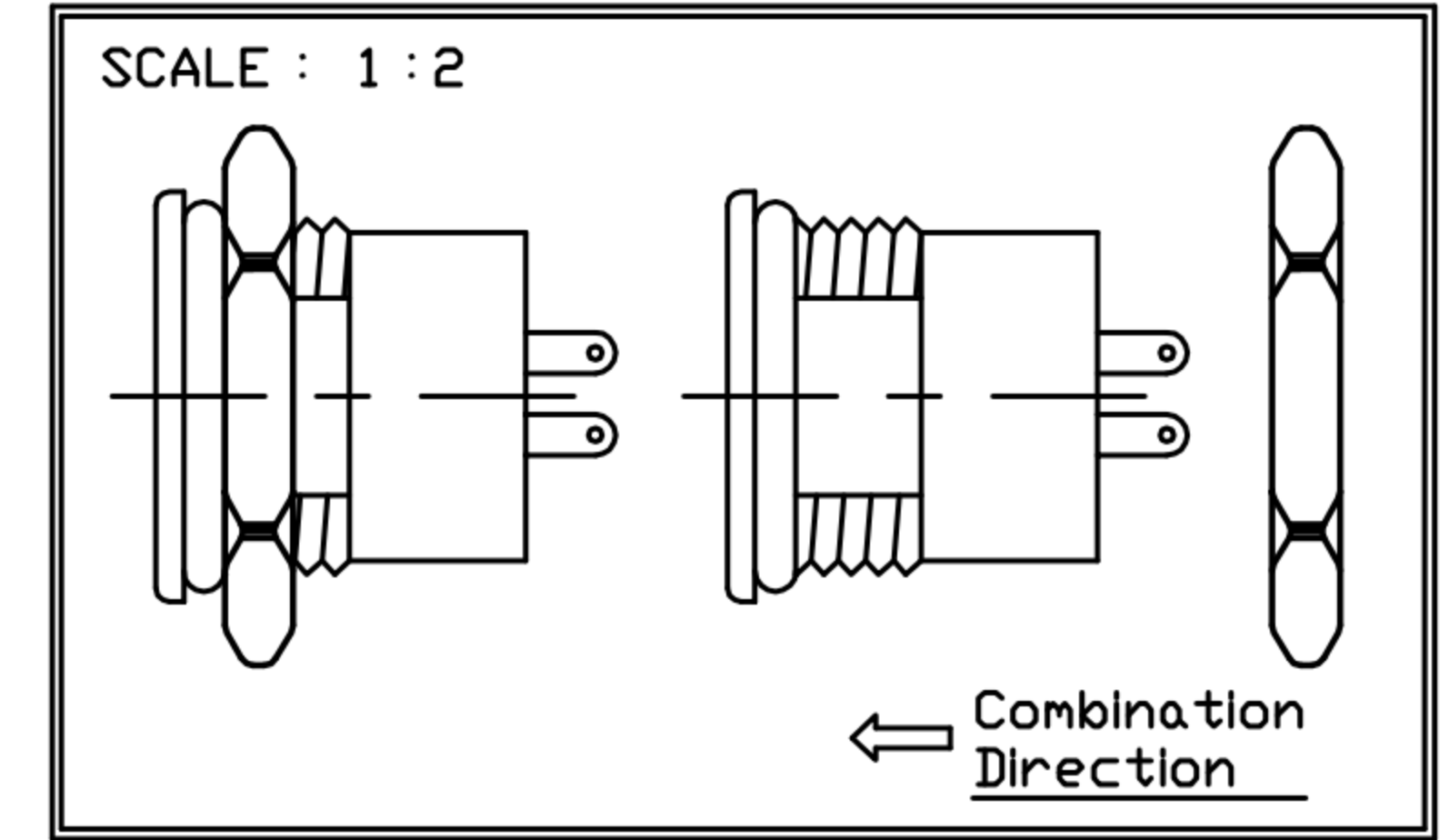
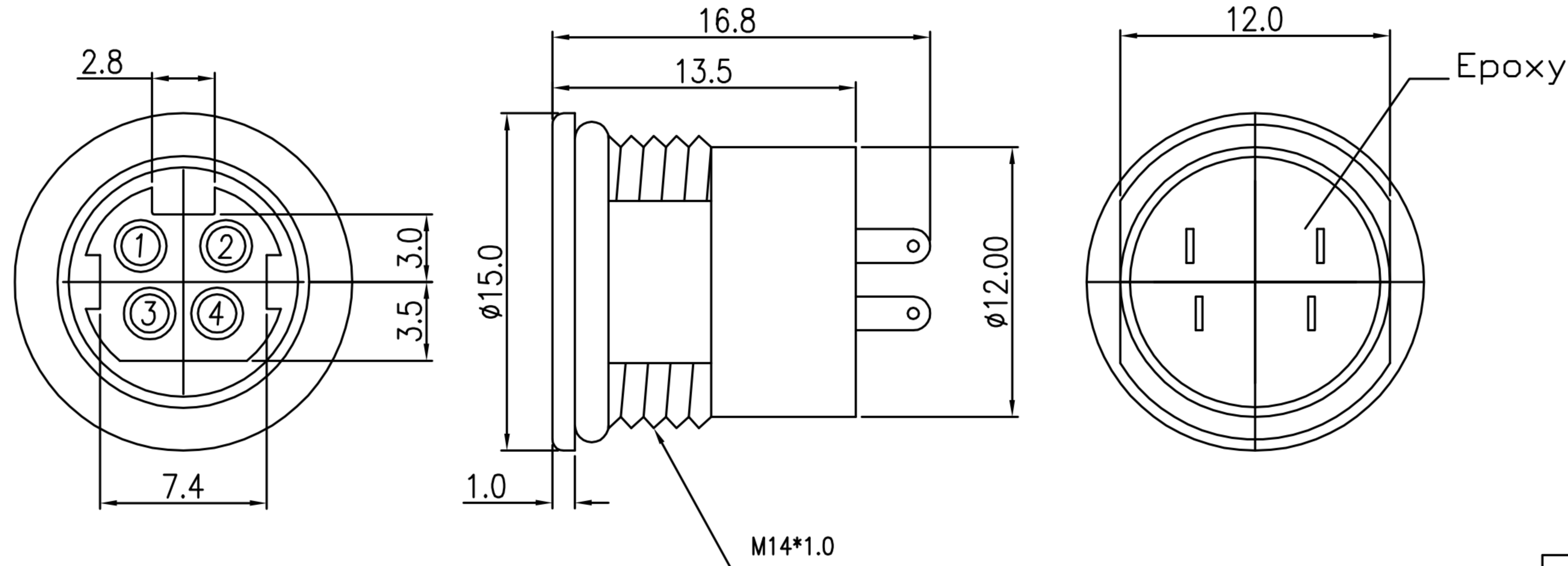


# CUSTOMER DRAWING

REV.	DESCRIPTION	APPROVED BY	DATE	ECN NO.
A	Release	Fideo Weng	19/01/17"	
B				
C				



- MATERIAL :
  - 1-1. HOUSING : PBT UL94V-0 ; COLOR : BLACK
  - 1-2. CONTACT : PHOSPHOR BRONZE
  - 1-3. SHELL : BRASS
  - 1-4. SCREW : BRASS
  - 1-5. O-RING : SILICONE.
- FINISH :
  - 2-1. CONTACT : TIN PLATING OVER NICKEL
  - 2-2. SHELL : NICKEL PLATED 60u" ~ 100u" OVER ALL
  - 2-3. SCREW : NICKEL PLATED 60u" ~ 100u" OVER ALL
- ELECTRICAL SPECIFICATION :
  - 3-1. RATED CURRENT : 3PIN 7.5A&1A(PIN3) ; 4PIN 7.5A
  - 3-2. RATED VOLTAGE : 25V/DC MAX
  - 3-3. Water proof : IP67
- ENVIRONMENTAL :
  - 4-1. OPERATION TEMPERATURE : -20℃~85℃

DRAWN	Ku Chou	APP'D	Emily Suen	UNIT	mm	TOLERANCE		广东科斯达电子科技有限公司 GUANG DONG KE SI DA ELECTRONIC TECHNOLOGY CO., LTD.	TITLE	防水 POWER DIN 母座			SHEET
CHK'D	Emily Suen			SCALE	1:1	.x ±0.20 .xx ±0.10 .xxx ±0.05 .xxxx ±0.01 ANGULA ±1°			PART NO.	SEE TABLE A	DWG NO.	QC7931	VERSION