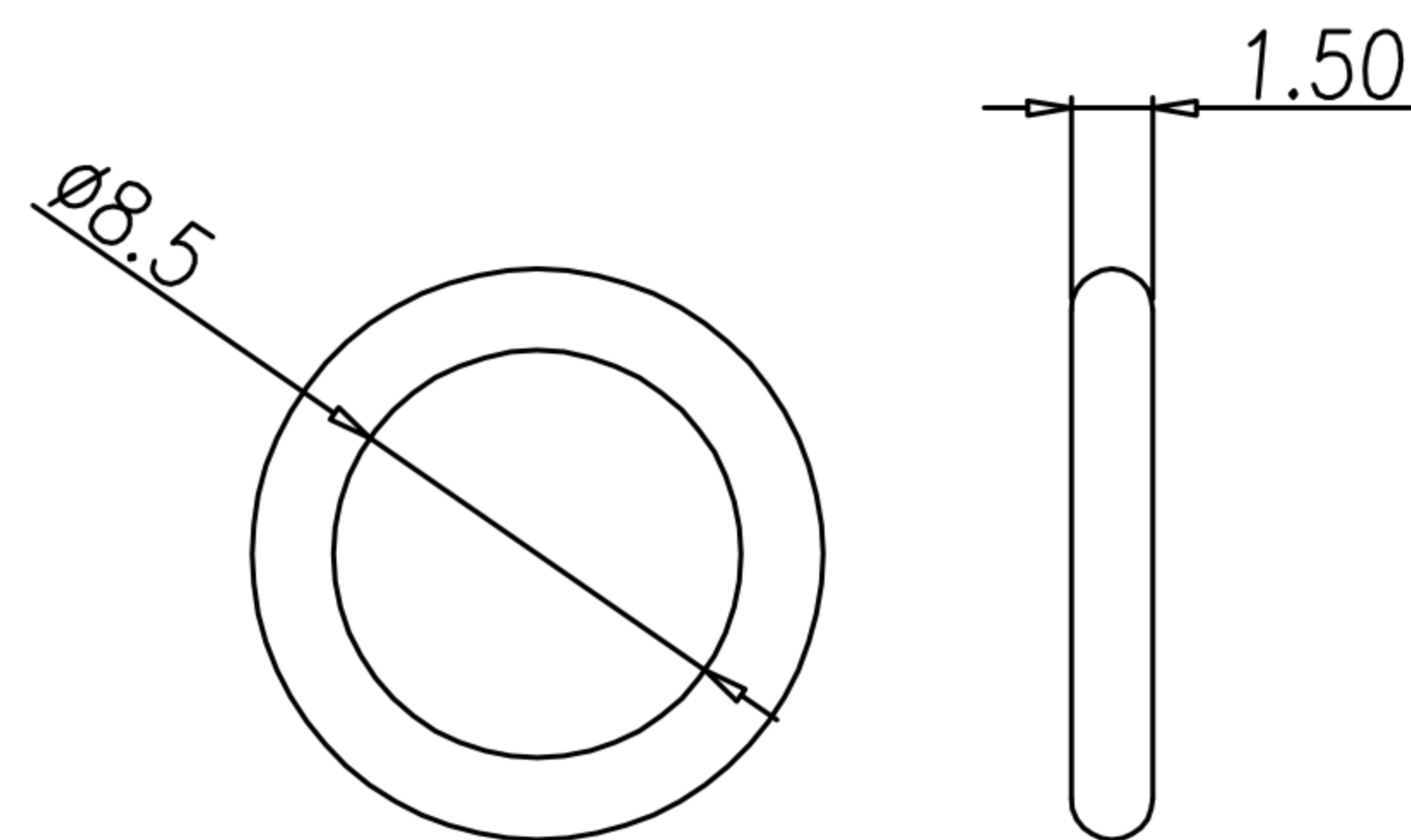
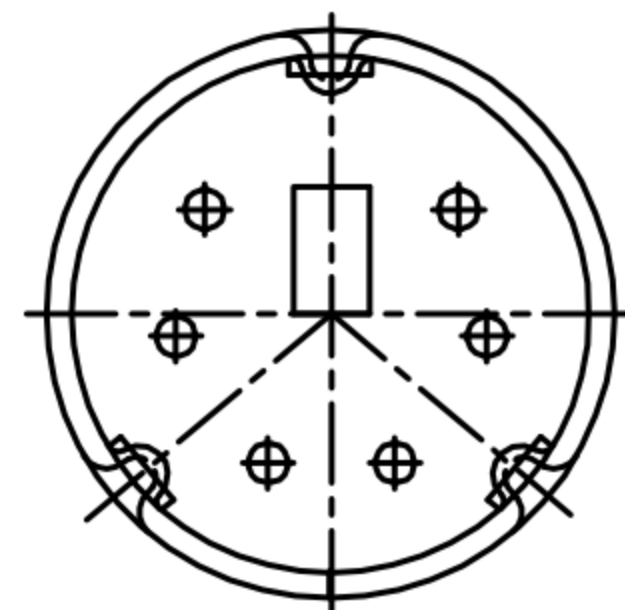
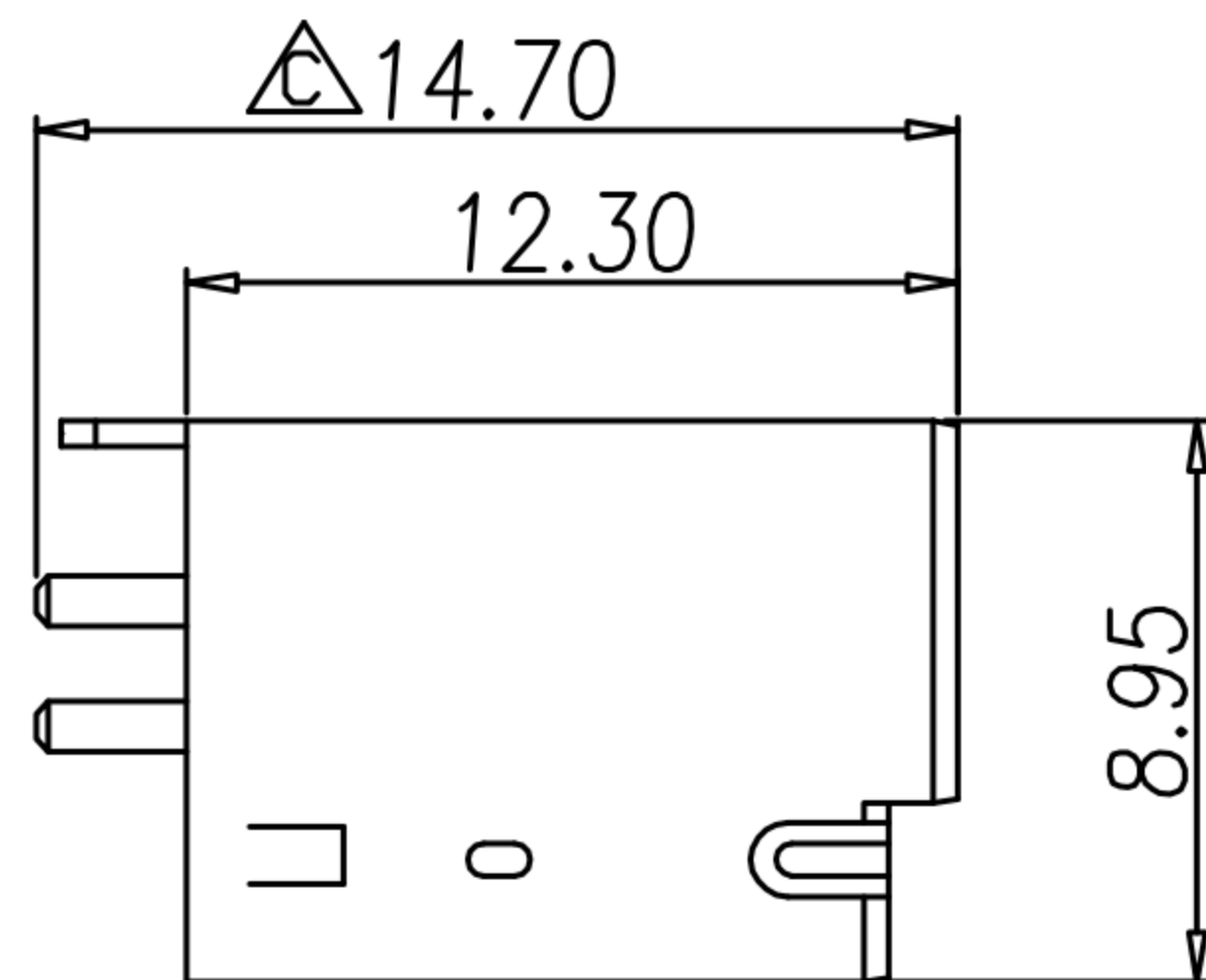


CUSTOMER DRAWING

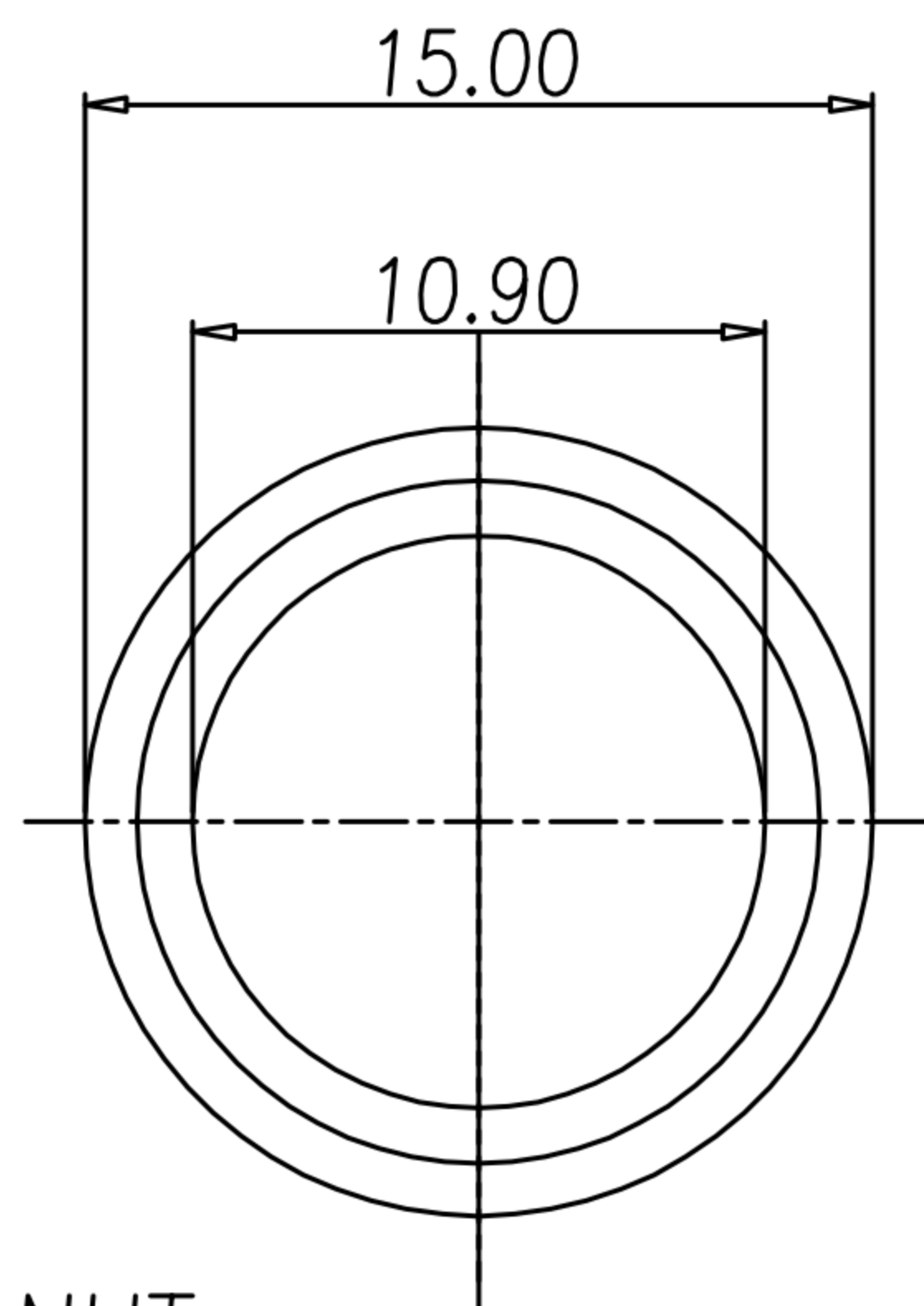
REV.	DESCRIPTION	APPROVED BY	DATE	ECN NO.
△A	RELEASE	Fido Weng	14/02/09*	
△B	新增料號	KU	18/07/18*	
△C	CHANGE DIM.	Yeh	12/04/19*	



O-RING

TABLE A

MD-04M2-25-11	MD-05M2-18-11
MD-06M2-57 MD-06M2-74-11	MD-07M2-15-11
MD-08M2-36-11	



NUT

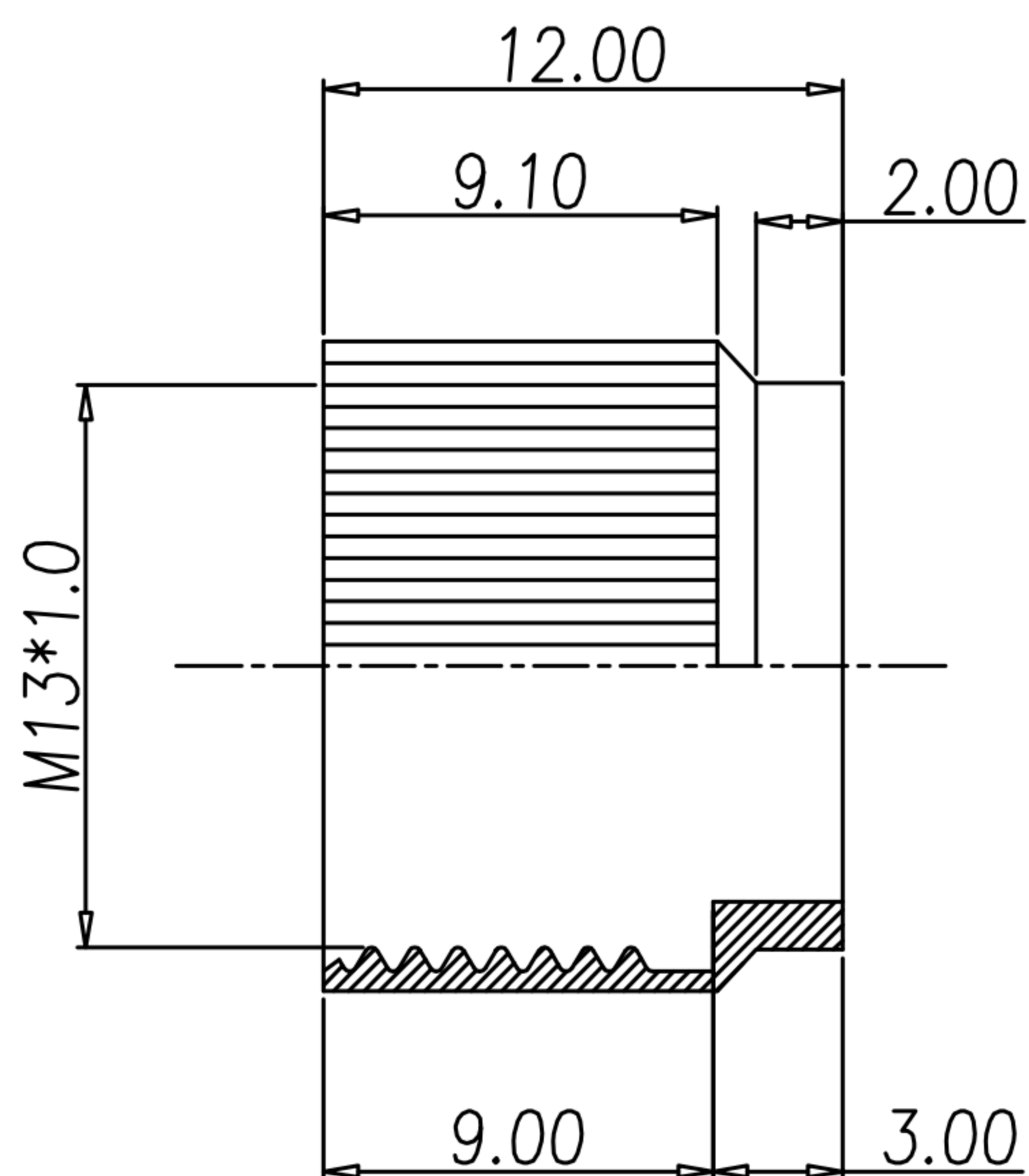


TABLE A

MD-08M2-36-11	GOLD FLASH
MD-06M2-74-11	SILVER
MD-06M2-57	GOLD FLASH
MD-04M2-25-11	GOLD FLASH
PART NO	FINISH

- MATERIAL :
  - 1-1. HOUSING : PBT UL94V-0 ; COLOR : BLACK
  - 1-2. CONTACT : BRASS.
  - 1-3. NUT : BRASS
  - 1-4. SHELL : BRASS
  - 1-5. O-RING : NBR ; COLOR : BLACK
- FINISH :
  - 2-1. CONTACT : SEE TABLE A.  
UNDER PLATE : NICKEL
  - 2-2. NUT : NICKEL PLATED.
  - 2-3. SHELL : NICKEL PLATED.
- ELECTRICAL SPECIFICATION :
  - 3-1. Rated current : 2A
  - 3-2. Rated Voltage : 12V
  - 3-3. Water proof: IP67
- Environmental :
  - 4-1. Operation Temperature : -20℃~85℃

DRAWN	Ku Chou	APP'D	Fido Weng	UNIT	mm	TOLERANCE		广东科斯达电子科技有限公司 GUANG DONG KE SI DA ELECTRONIC TECHNOLOGY CO., LTD.	TITLE	M13 Mini din (M) 焊線式			SHEET
CHK'D	Ku Chou			SCALE	1:1	.x ±0.20 .xx ±0.10 .xxx ±0.05 .xxxx ±0.01 ANGULA ±1°			PART NO.	SEE TABLE A	DWG NO.	QC6981	VERSION