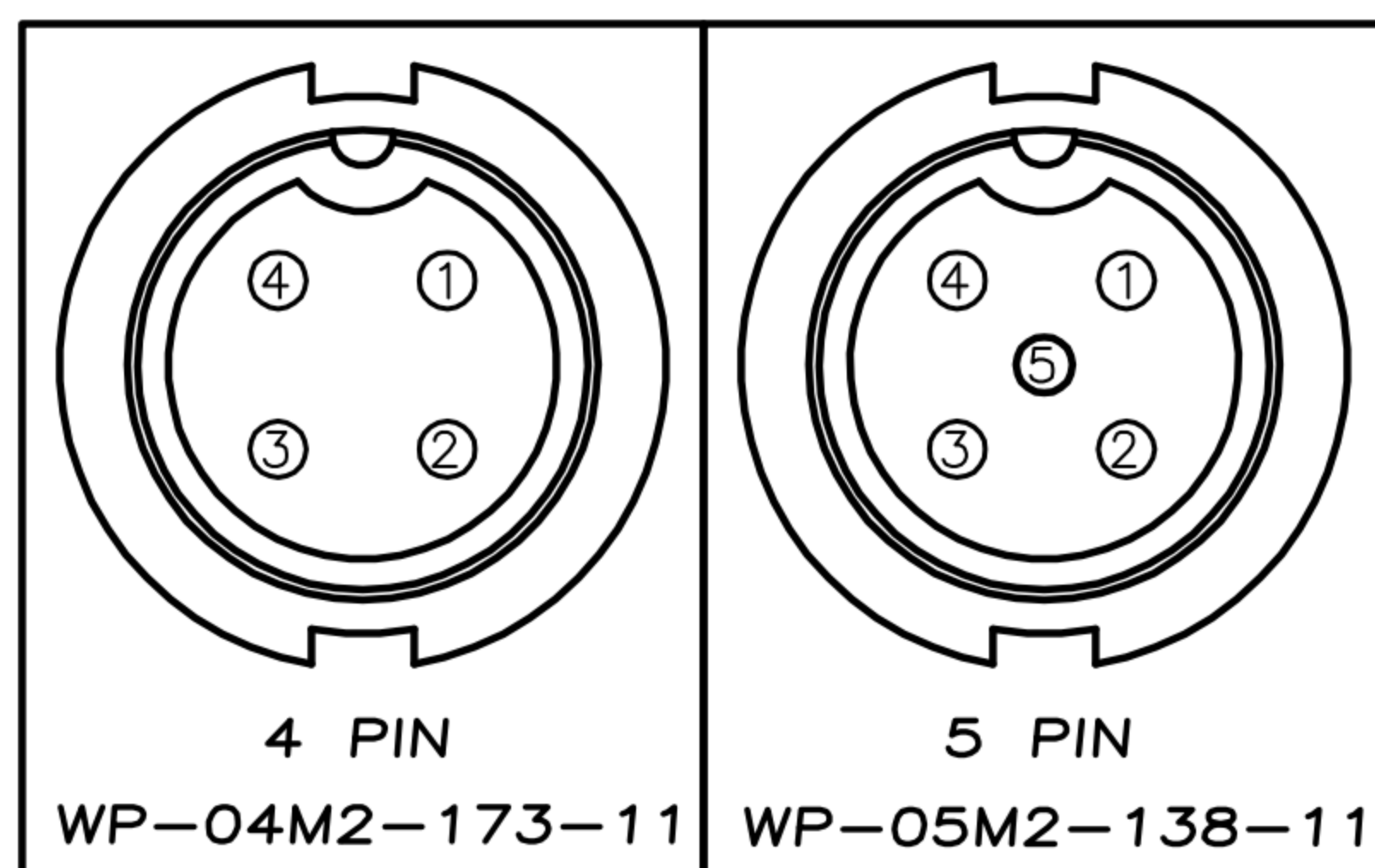


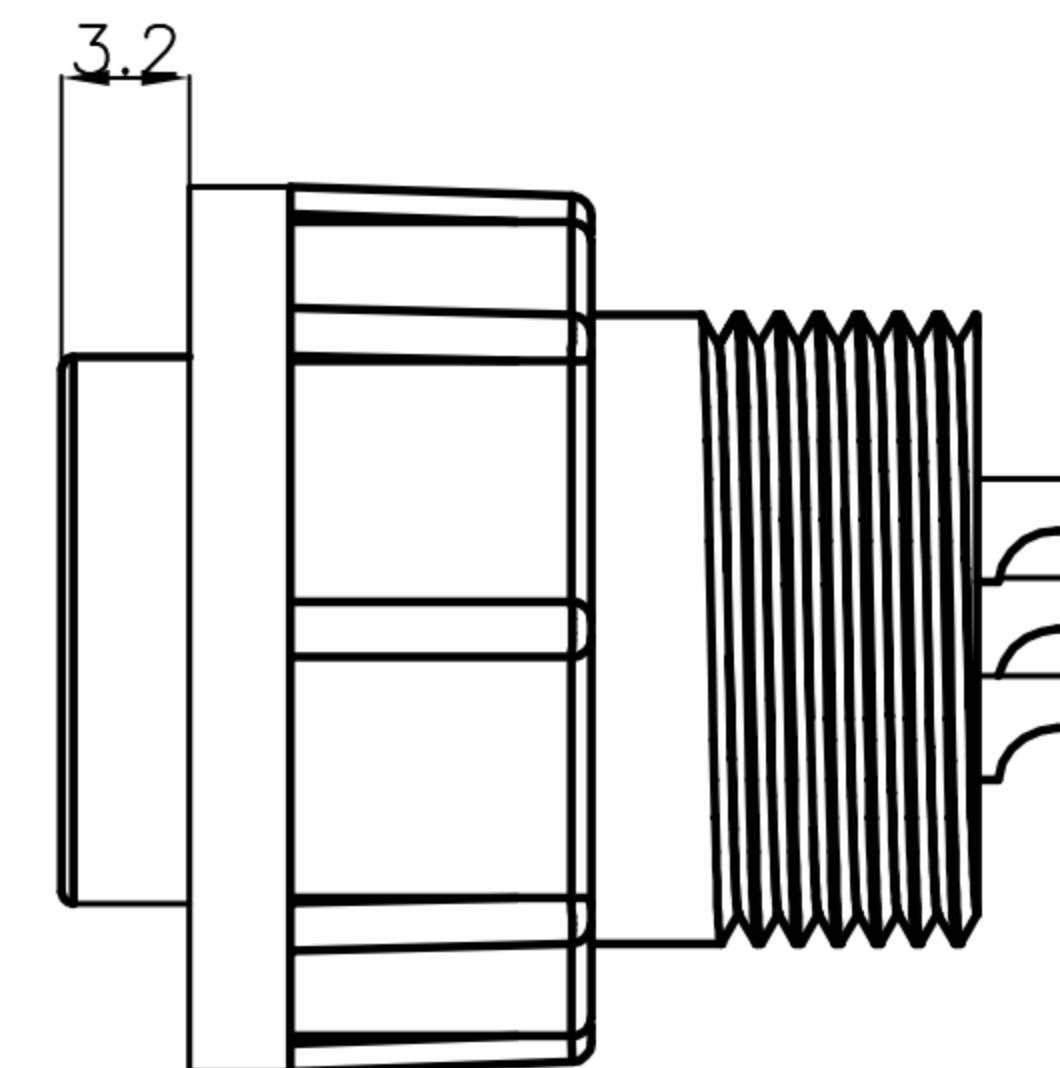
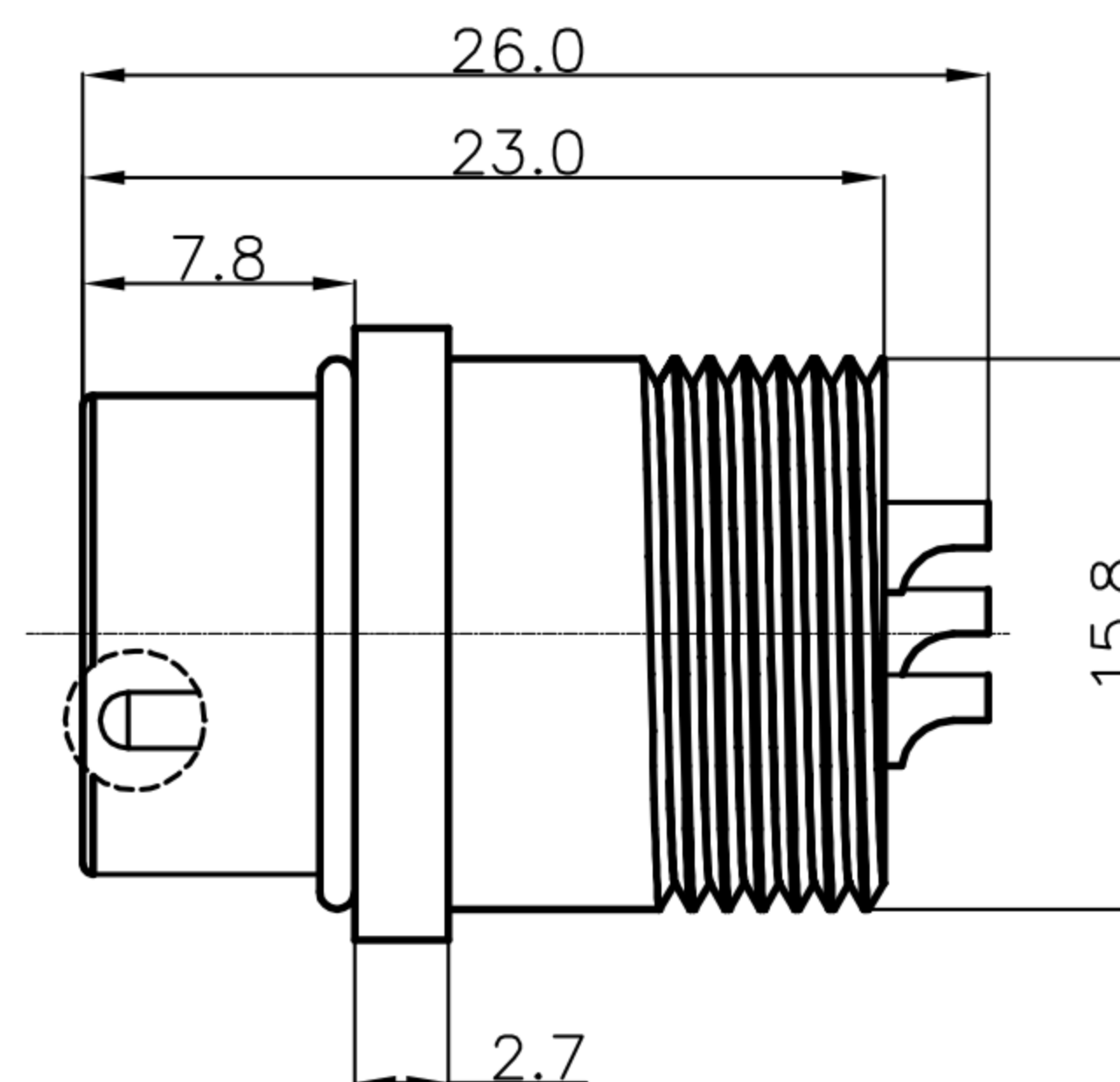
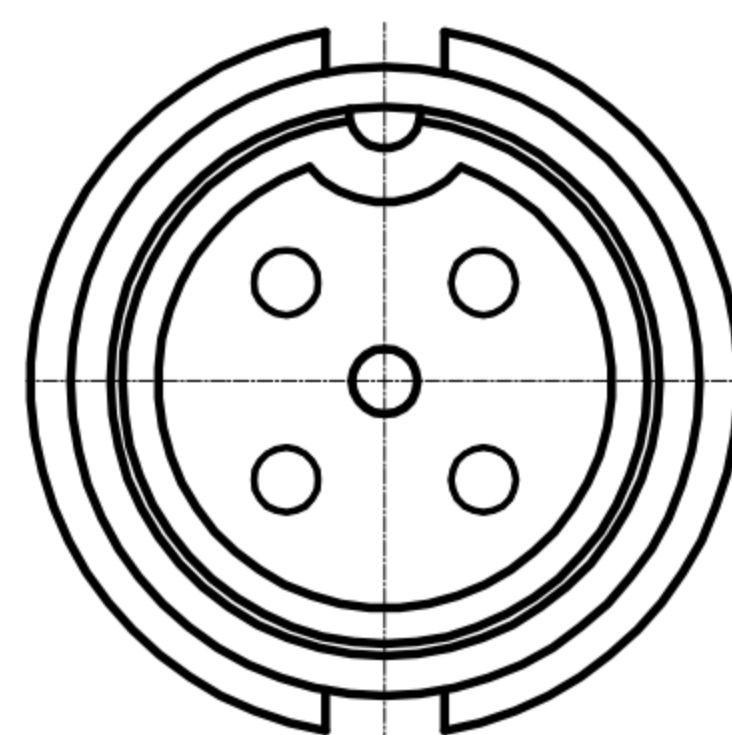
CUSTOMER DRAWING

REV.	DESCRIPTION	APPROVED BY	DATE	ECN NO.
A	RELEASE	Ku Chou	01/04/19'	
B				
C				

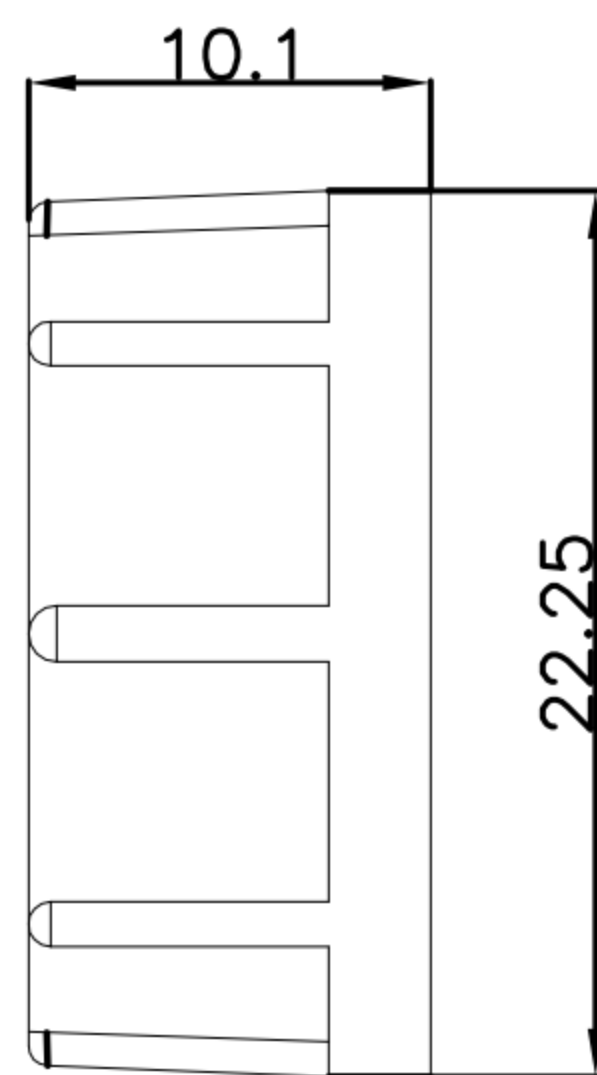
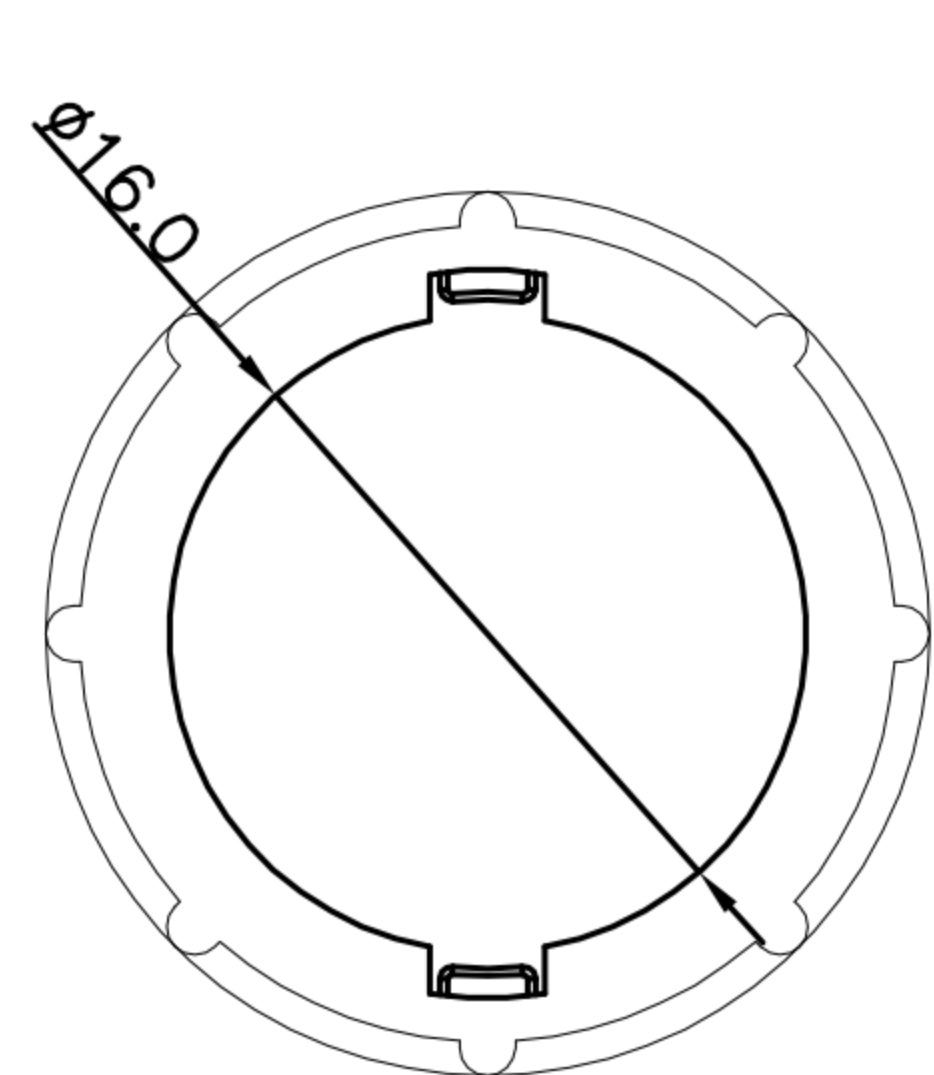
TABLE A



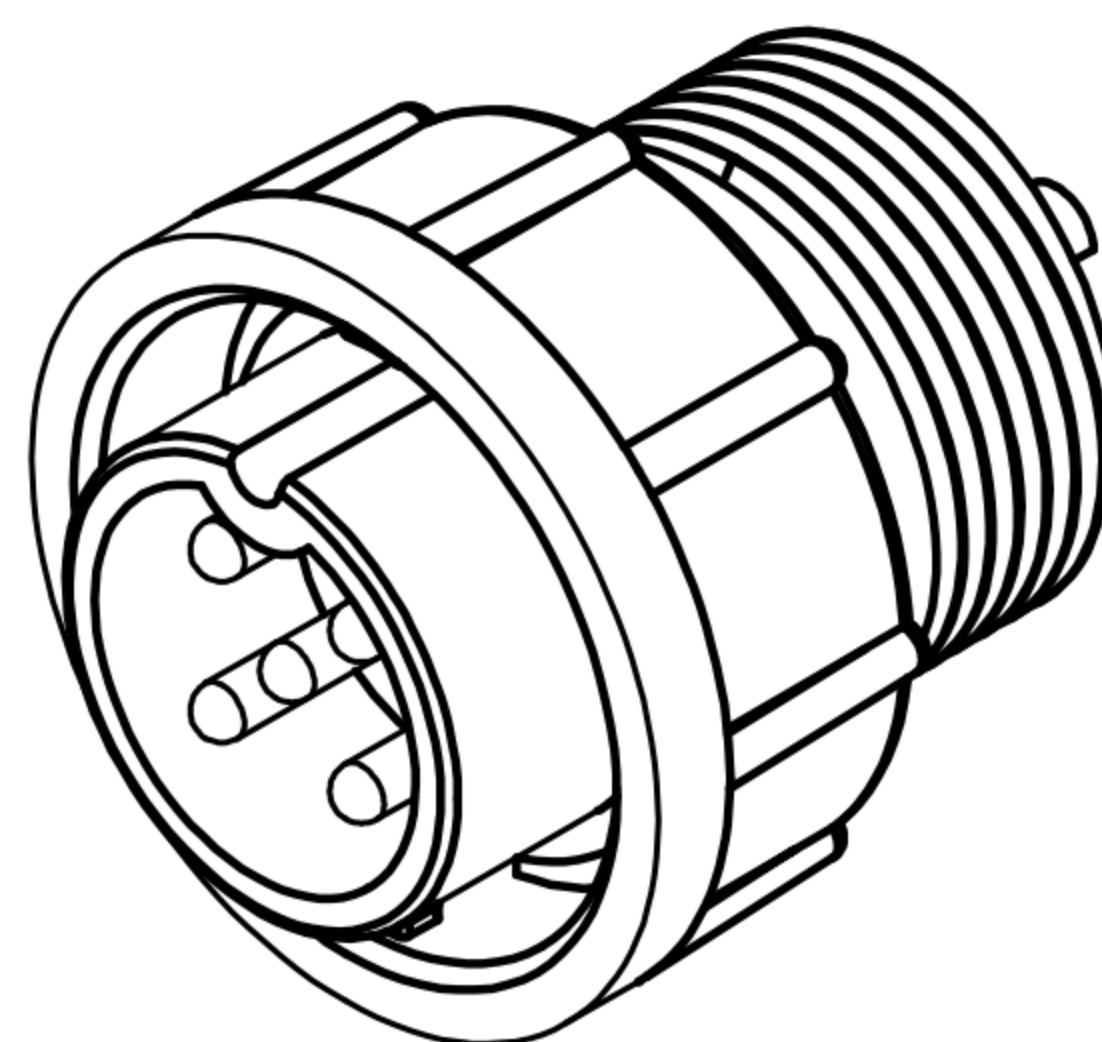
Pin Assignments  
Front View



Assembly



Lock Nut



- MATERIAL :
  - HOUSING : PA66
  - CONTACT : BRASS
  - O-RING : SILICONE
  - LOCK NUT : PA66
- FINISH :
  - CONTACT : GOLD FLASH PLATED.
- ELECTRICAL SPECIFICATION :
  - Rated current : 10A
  - Rated Voltage : 250V
  - Water proof : IP67
- Environmental :
  - Operation Temperature :  $-20^{\circ}\text{C} \sim 80^{\circ}\text{C}$

DRAWN	Emily Suen	APP'D	Ku Chou	UNIT	mm	TOLERANCE		TITLE	WP FEMALE (MALE PIN) C SIZE 连接器(LOCK)			SHEET
CHK'D	Ku Chou			SCALE	1:1	.x $\pm 0.20$ .xx $\pm 0.10$ .xxx $\pm 0.05$ .xxxx $\pm 0.03$ ANGULA $\pm 1^{\circ}$		PART NO.	SEE TABLE A	DWG NO.	QC9044	VERSION

广东科斯达电子科技有限公司  
GUANG DONG KE SI DA ELECTRONIC TECHNOLOGY CO., LTD.