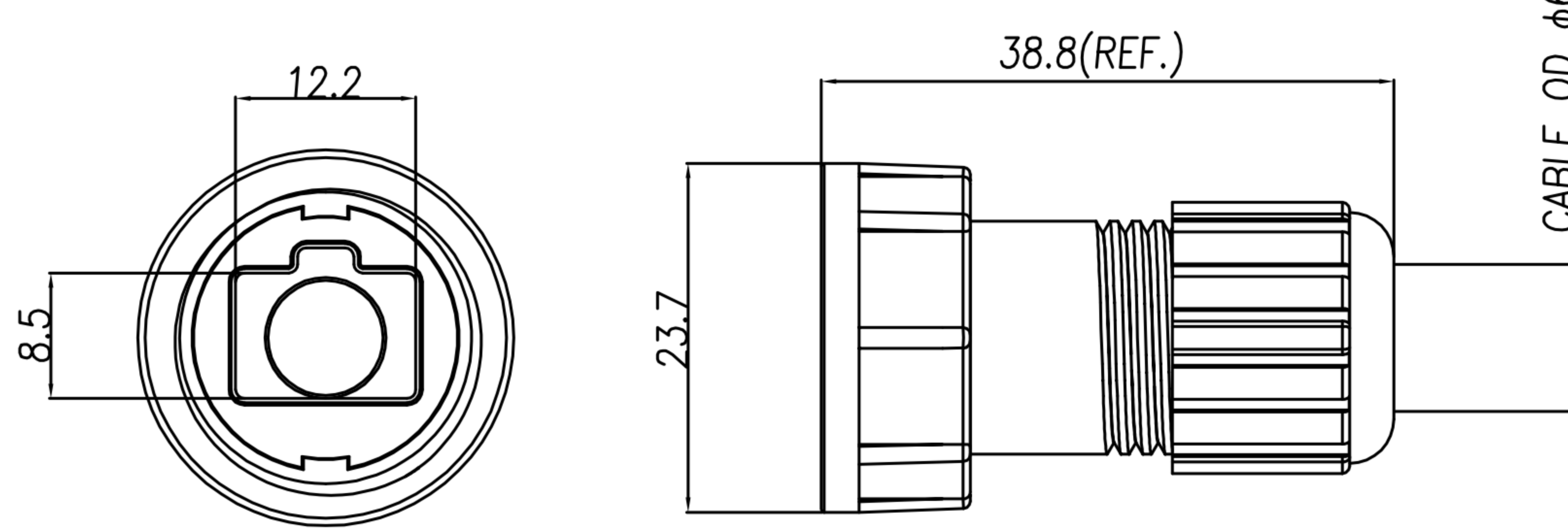
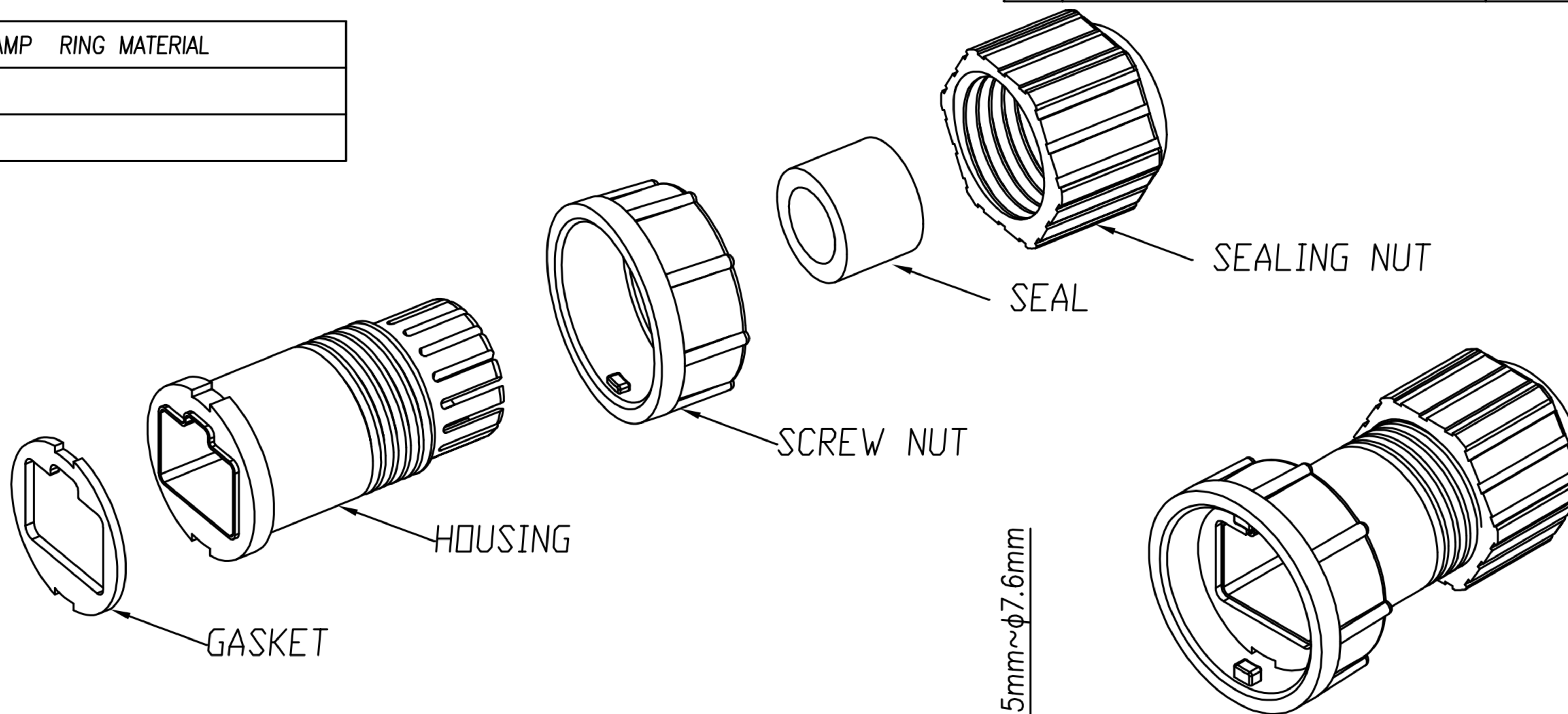


CUSTOMER DRAWING

REV.	DESCRIPTION	APPROVED BY	DATE	ECN NO.
△A	RELEASE	Ku Chou	02/08/18'	
△B				
△C				

TABLE A

P/N	CLAMP RING MATERIAL
RJ-08M2-05-01	PA66



1. MATERIAL :

- 1-1. GASKET : SILICONE
- 1-2. CLAMP RING : SEE TABLE A
- 1-3. SCREW NUT : PA66
- 1-4. SEAL : SILICONE
- 1-5. SEALING NUT : PA66

DRAWN	Emily Suen	APP'D	Ku Chou	UNIT	mm	TOLERANCE			TITLE	RJ45 ASSEMBLY LOCK TYPE (PA66)			SHEET
CHK'D	Ku Chou			SCALE	1:1	.x ±0.20 .xx ±0.10 .xxx ±0.05 .xxxx ±0.03 ANGULAR ±1°			广东科斯达电子科技有限公司 GUANG DONG KE SI DA ELECTRONIC TECHNOLOGY CO., LTD.	PART NO.	SEE TABLE A	DWG NO.	QC8910