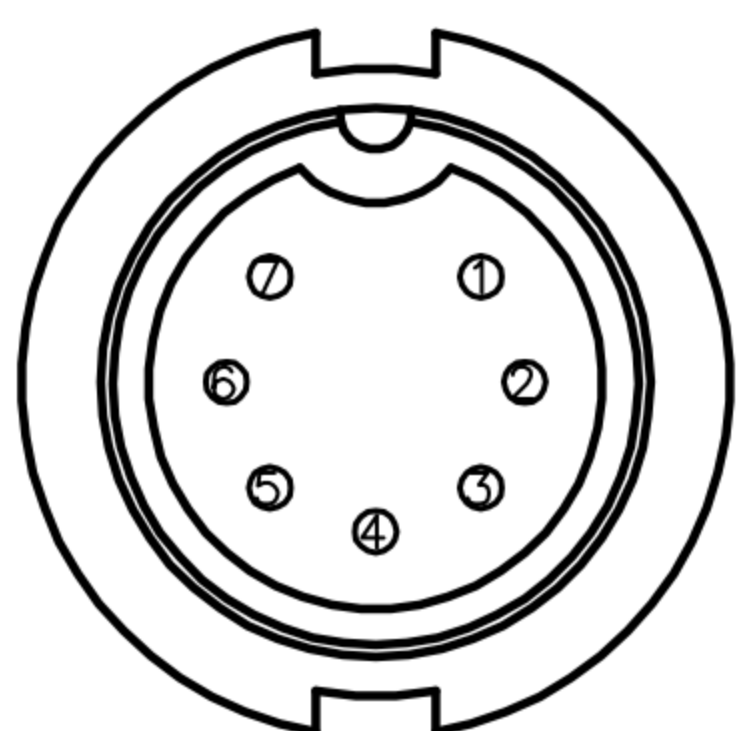
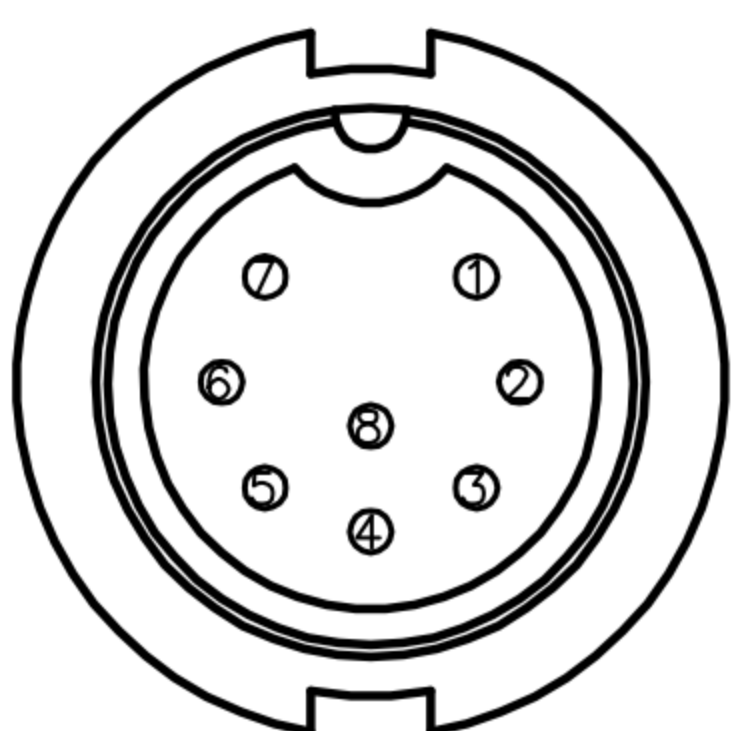
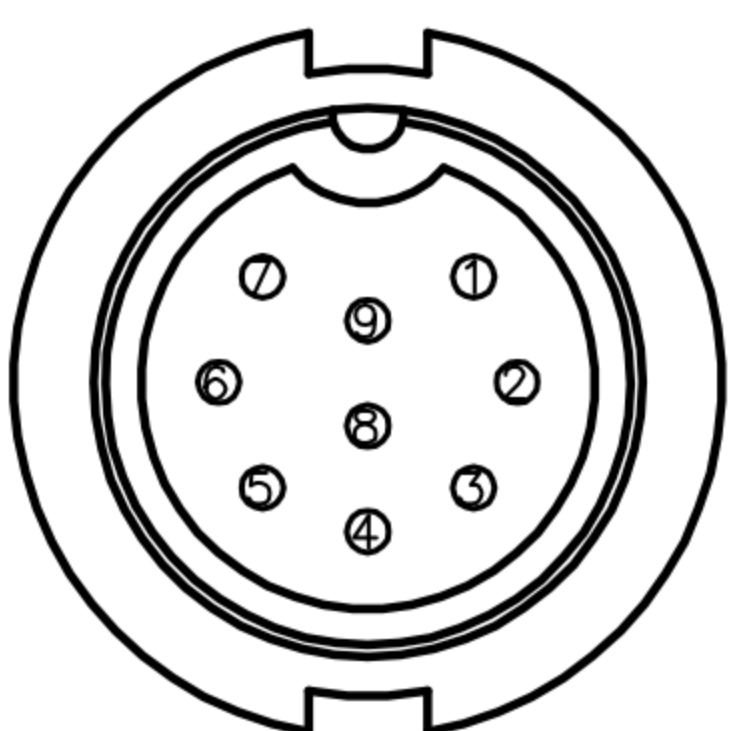


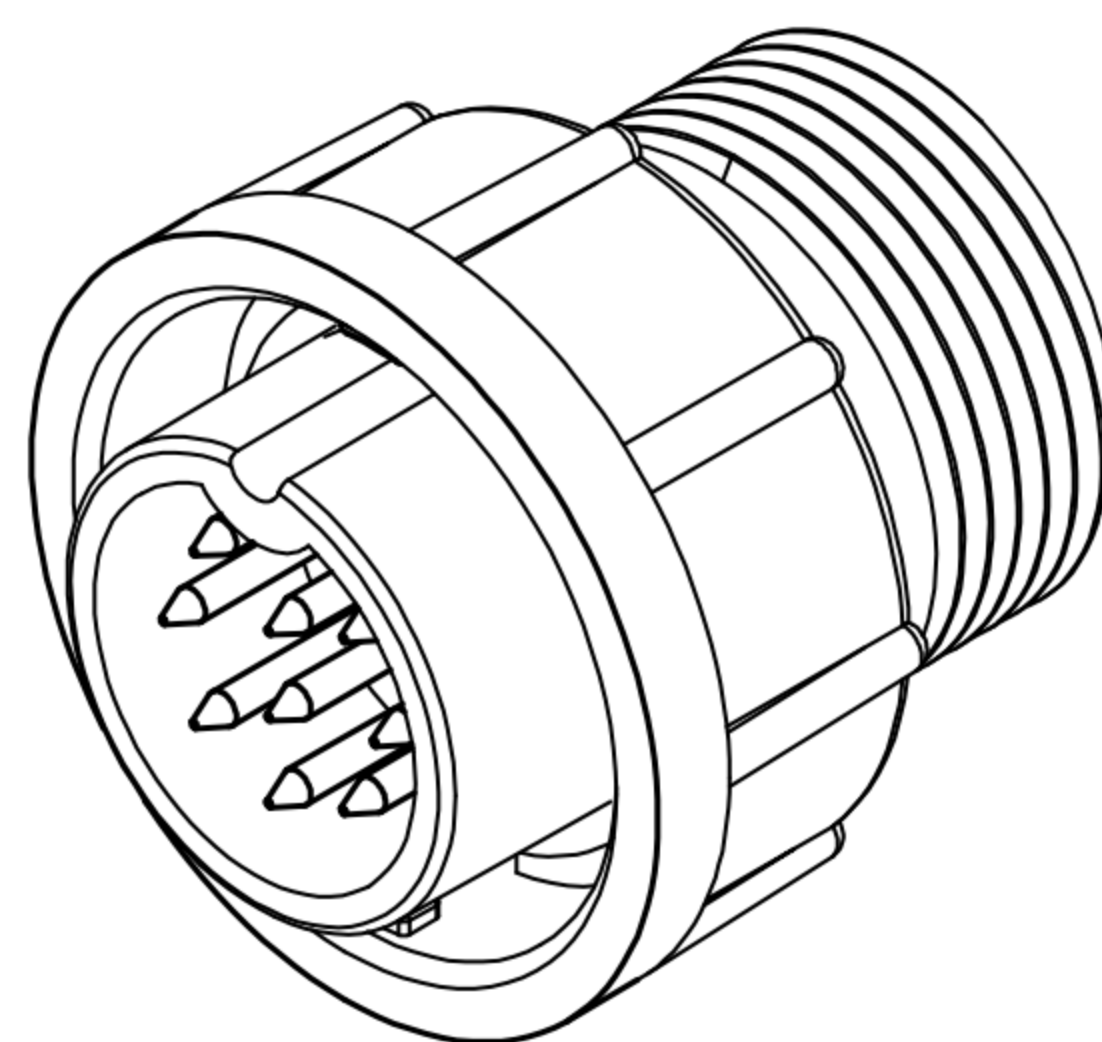
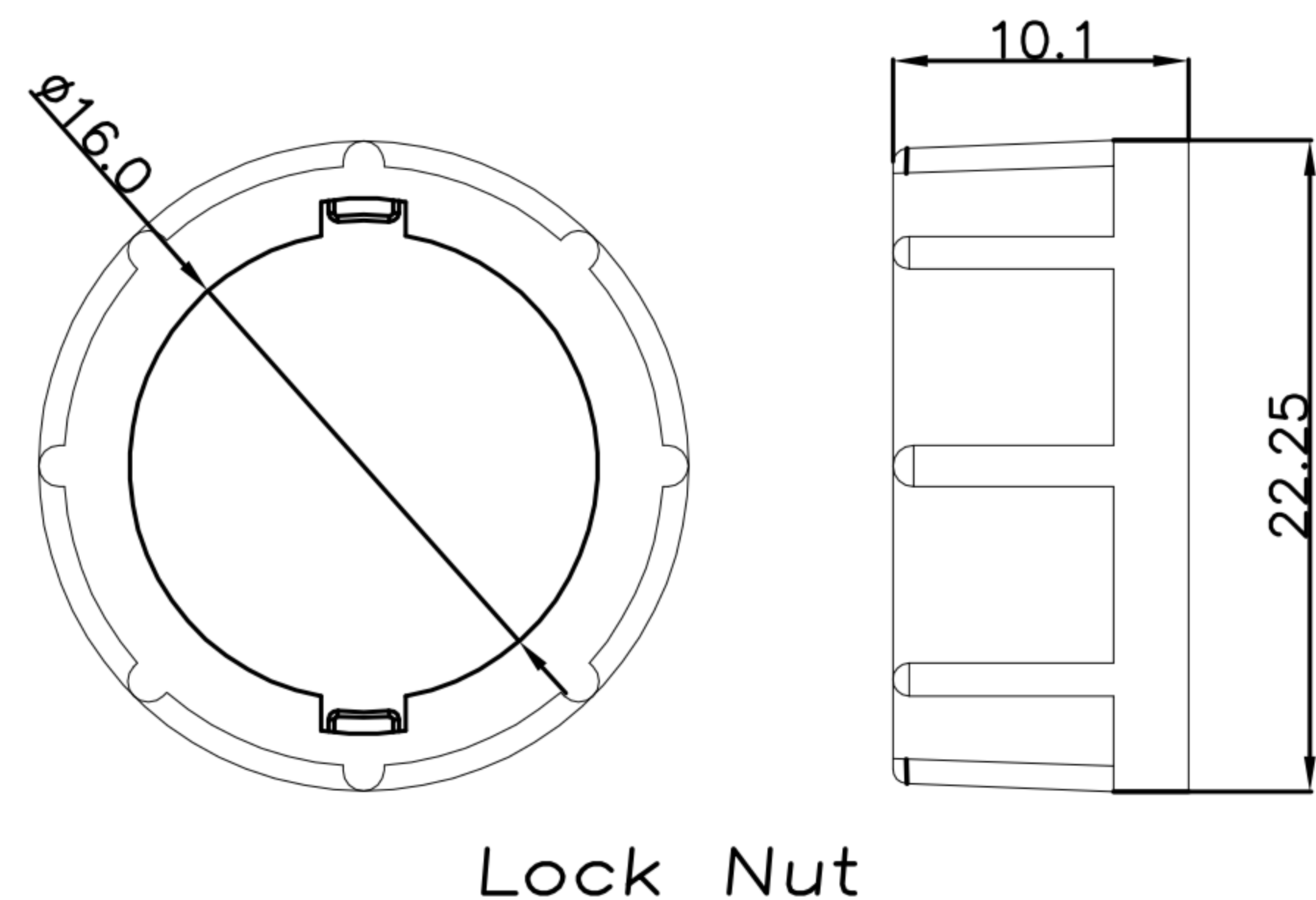
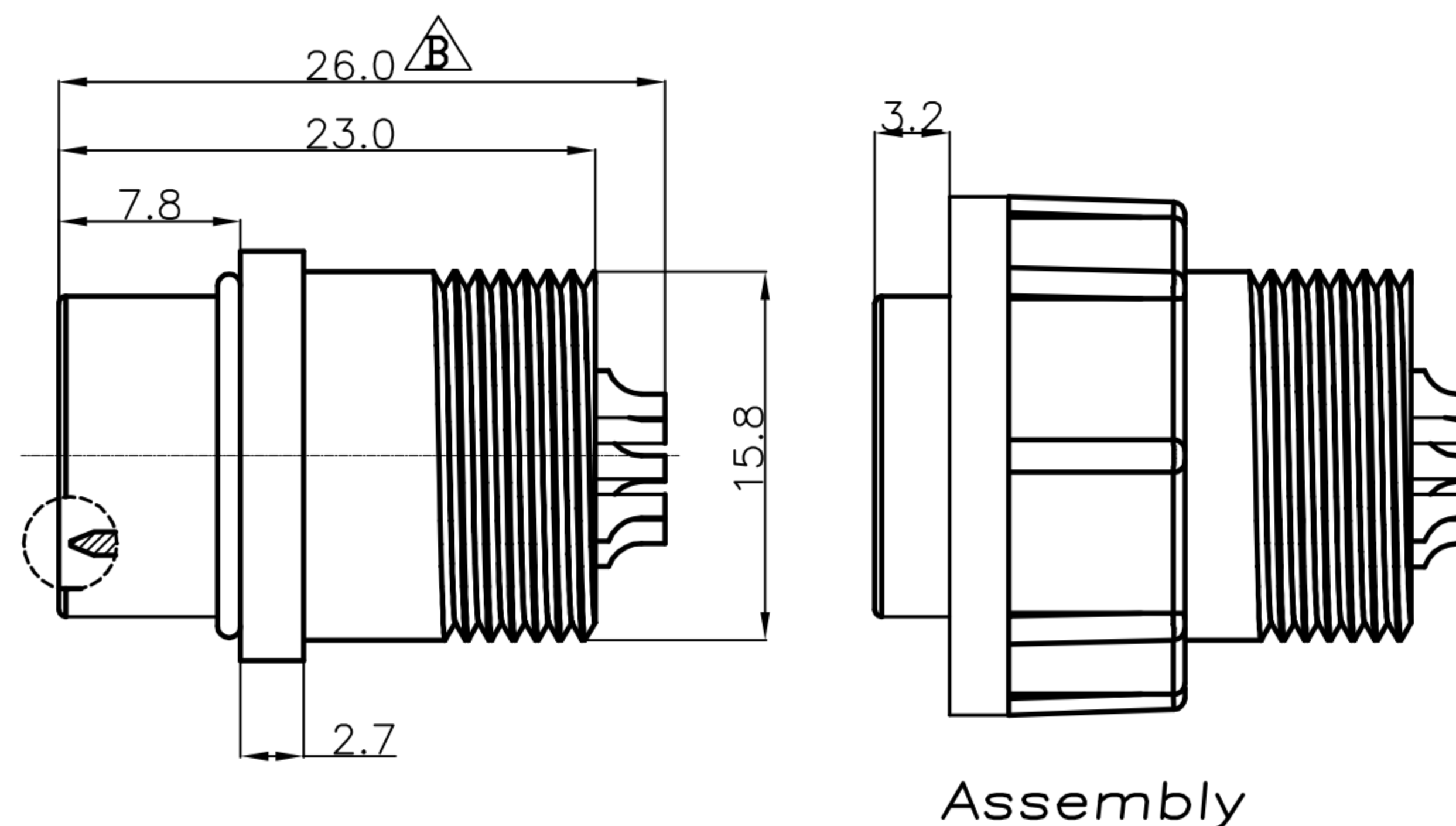
CUSTOMER DRAWING

REV.	DESCRIPTION	APPROVED BY	DATE	ECN NO.
A	RELEASE	Ku Chou	03/04/18'	
B	CHANGE DIM.	Ku Chou	19/03/19'	
C				

TABLE A

		
7 PIN WP-07M2-13-11	8 PIN WP-08M2-76-11	9 PIN WP-09M2-13-11

Pin Assignments  
Front View



- MATERIAL :
  - HOUSING : PA66
  - CONTACT : BRASS
  - O-RING : SILICONE
  - LOCK NUT : PA66
- FINISH :
  - CONTACT : GOLD FLASH PLATED.
- ELECTRICAL SPECIFICATION :
  - Rated current : 5A
  - Rated Voltage : 250V
  - Water proof : IP67
- Environmental :
  - Operation Temperature :  $-20^{\circ}\text{C} \sim 80^{\circ}\text{C}$

DRAWN	Emily Suen	APP'D	Ku Chou	UNIT	mm	TOLERANCE		 广东科斯达电子科技有限公司 GUANG DONG KE SI DA ELECTRONIC TECHNOLOGY CO., LTD.	TITLE	WP FEMALE (MALE PIN) C SIZE 超密封(LOCK)			SHEET	
CHK'D	Ku Chou			SCALE	1:1	.x ±0.20 .xx ±0.10 .xxx ±0.05 .xxxx ±0.03 ANGULA ±1°			PART NO.	SEE TABLE A	DWG NO.	QC8504	VERSION	