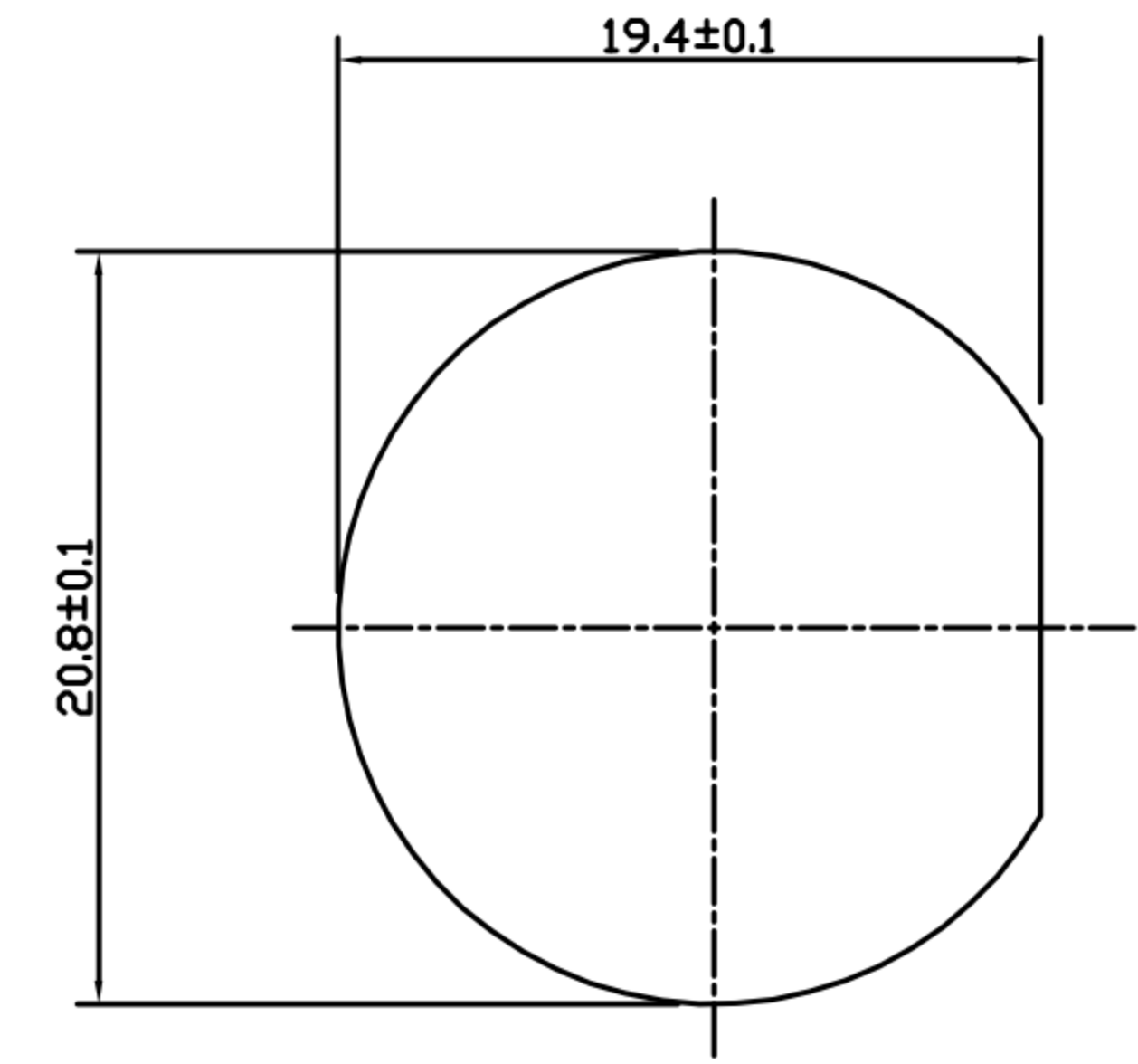
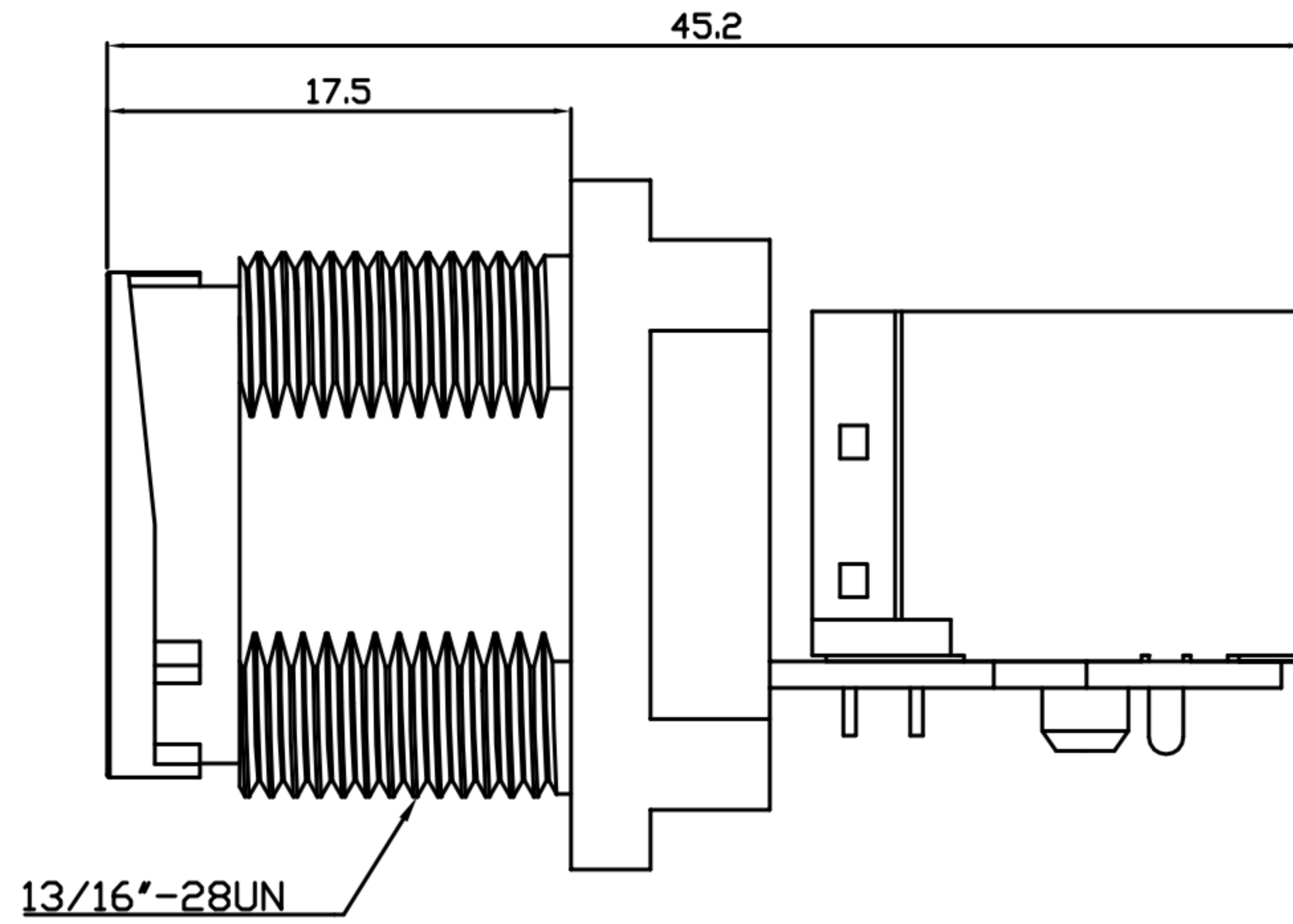
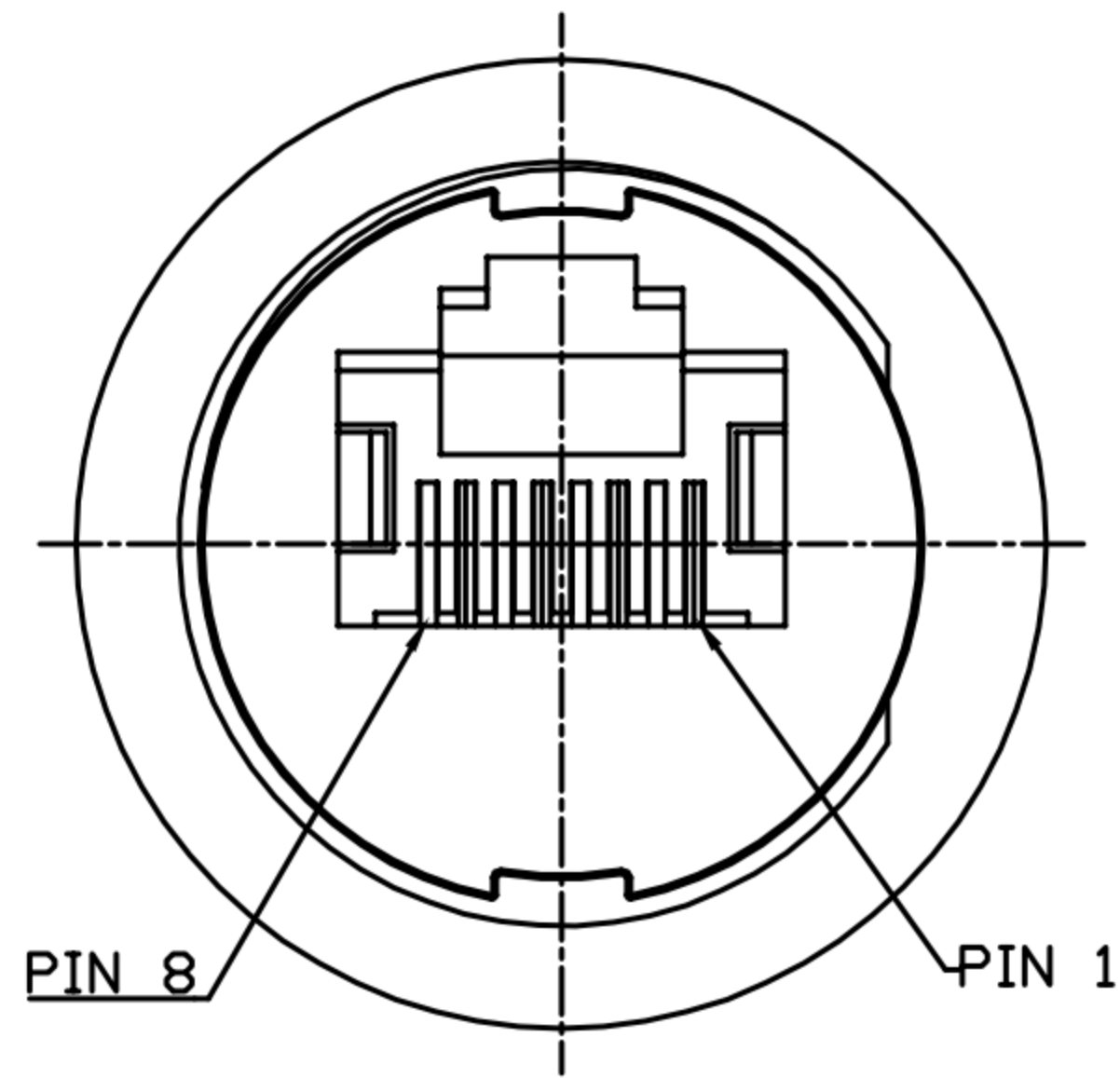
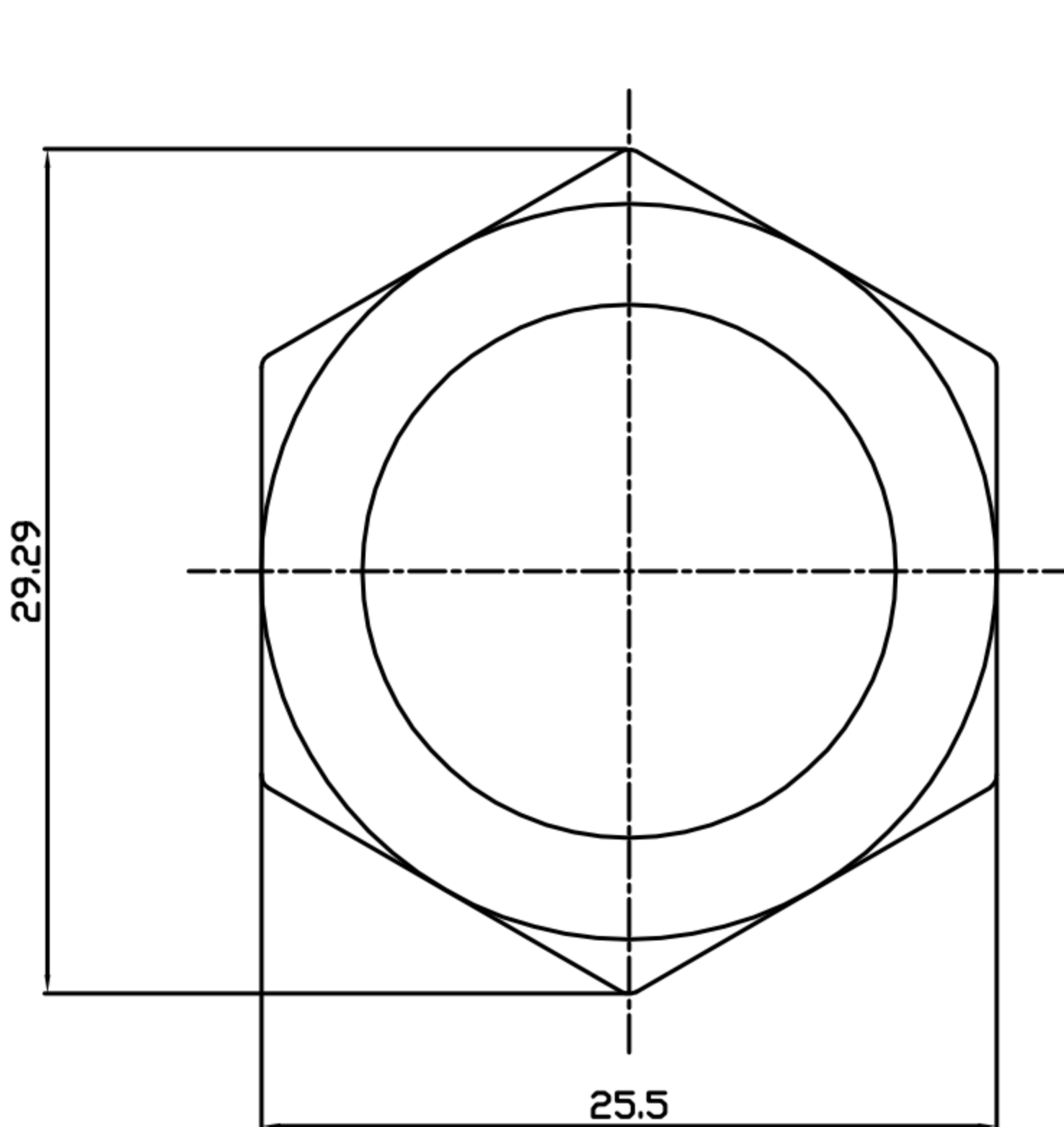


CUSTOMER DRAWING

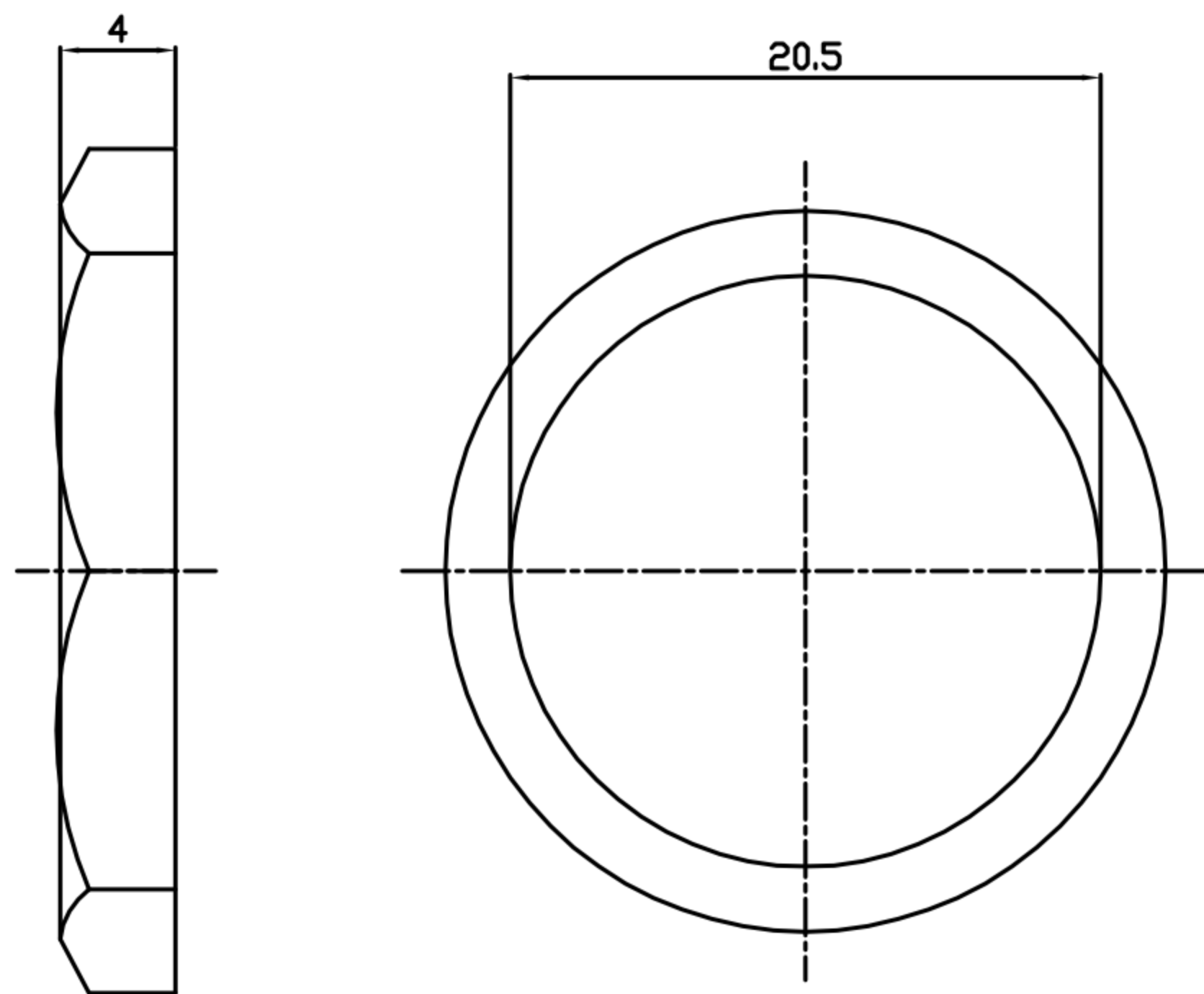
REV.	DESCRIPTION	APPROVED BY	DATE	ECN NO.
△A	RELEASE	KU Chou	06/12/18*	
△B				
△C				



Recommended Panel Cut-Out



Nut



Gasket

1. MATERIAL :
  - 1-1. HOUSING : PBT UL94V-0 ; COLOR : BLACK.
  - 1-2. CONTACT : PHOSPHOR BRONZE
  - 1-3. SHELL : PA66 UL94V-0 ; COLOR : BLACK.
  - 1-4. GROUND : SUS
  - 1-5. GASKET : SILICON ; COLOR : GRAY BLACK.
  - 1-6. NUT : PA66
2. FINISH :
  - 2-1. CONTACT : GOLD FLASH PLATED
  - 2-2. GROUND : NICKEL PLTAED.
3. ELECTRICAL SPECIFICATION :
  - 3-1. Rated current : 1.5A
  - 3-2. Rated voltage : 125V AC
  - 3-3. Water proof : IPX7
4. Environmental :
  - 4-1. Operation Temperature : -40℃~85℃

DRAWN	Yeh Chou	APP'D	KU Chou	UNIT	mm	TOLERANCE			TITLE	Waterproof RJ45 8PIN(F) 快插网络头			SHEET
CHK'D	KU Chou			SCALE	1:1	.x ±0.20 .xx ±0.10 .xxx ±0.05 .xxxx ±0.03 ANGULA ±1°			PART NO.	RJ-08F2-09-11	DWG NO.	QC8907	VERSION

1  
A