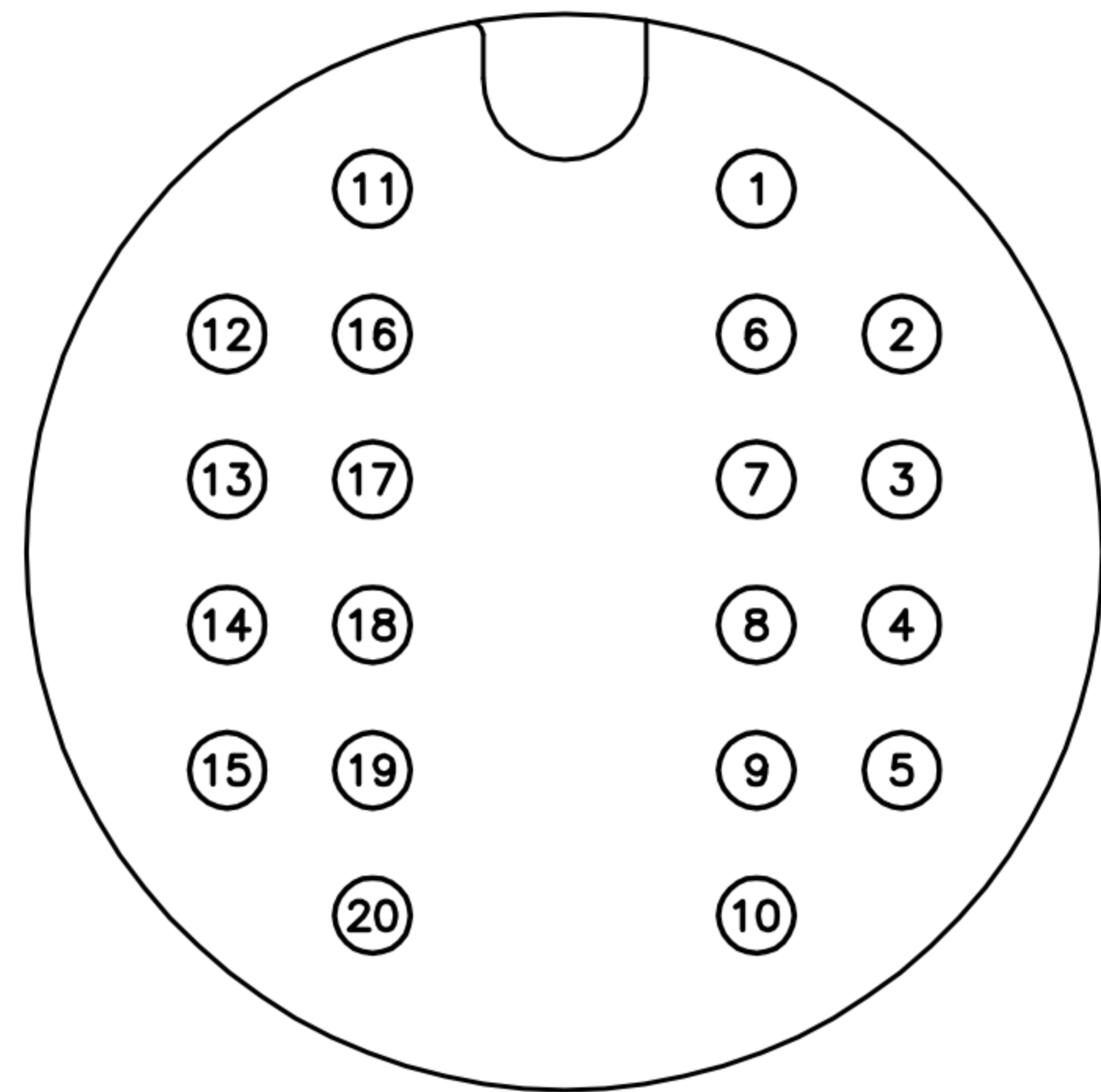


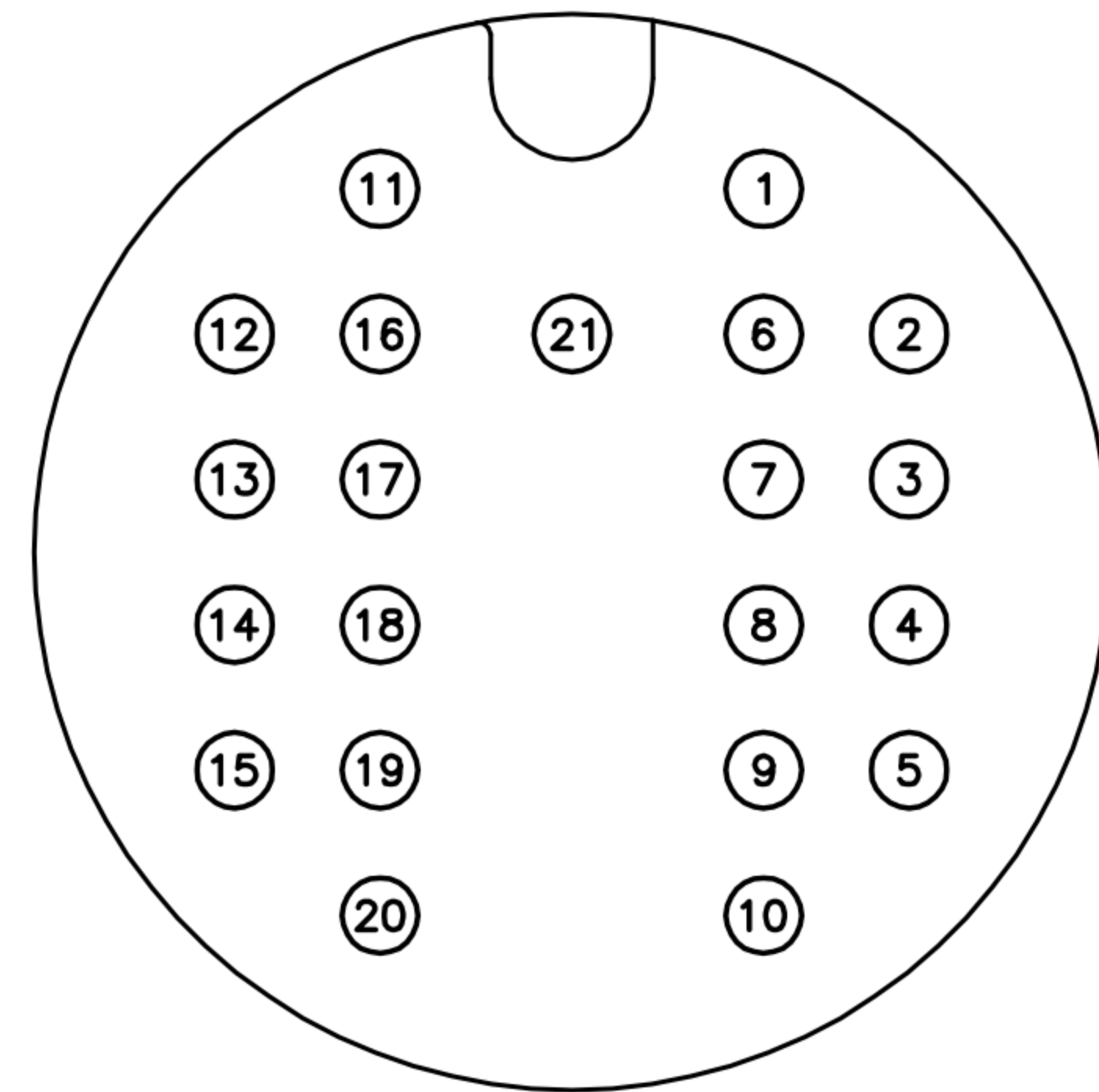
CUSTOMER DRAWING

TABLE A

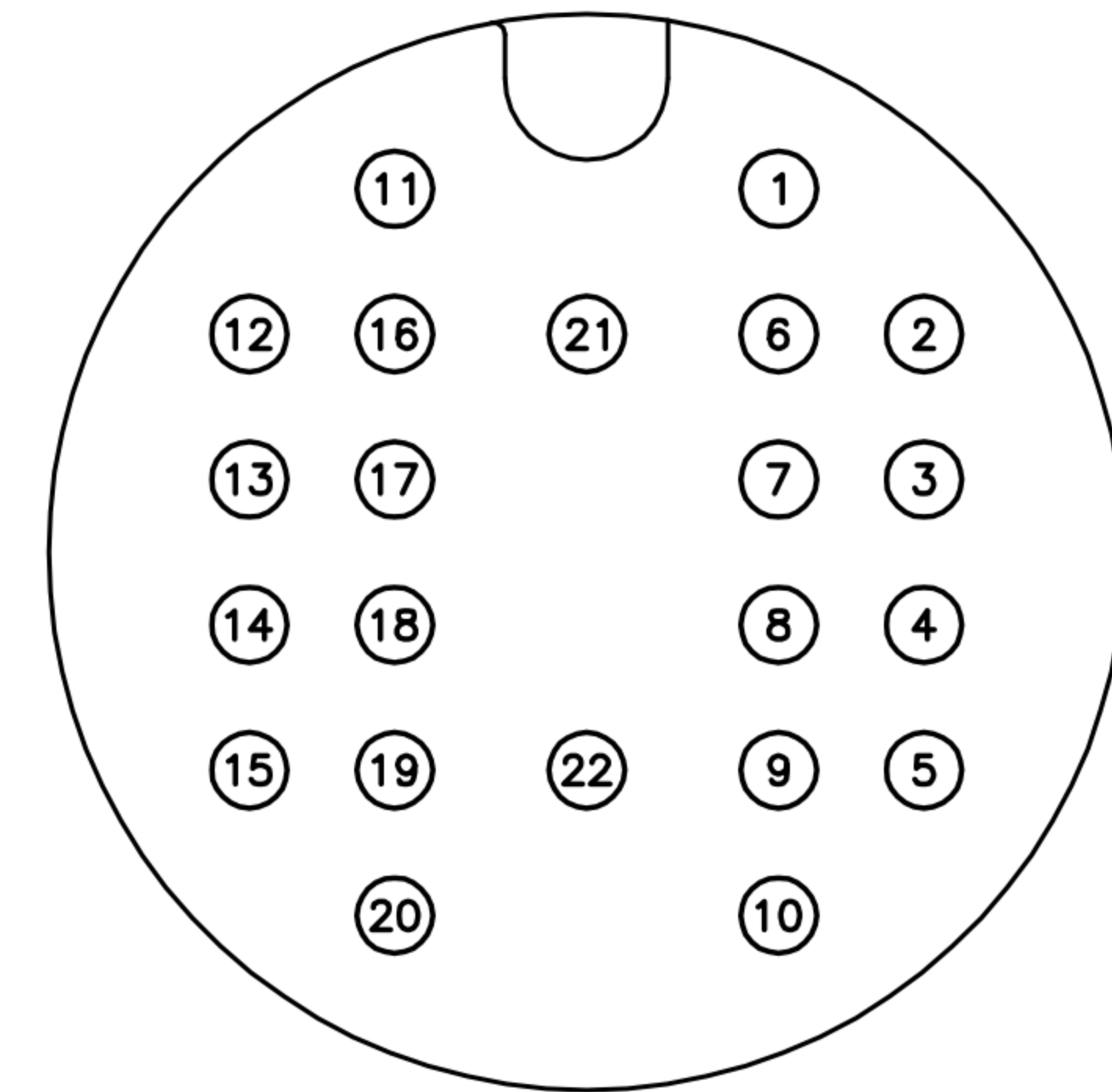
| REV. | DESCRIPTION | APPROVED BY | DATE | ECN NO. |
|------|-------------|-------------|-----------|---------|
| A | RELEASE | KU Chou | 22/04/20* | |
| B | | | | |
| C | | | | |
| D | | | | |



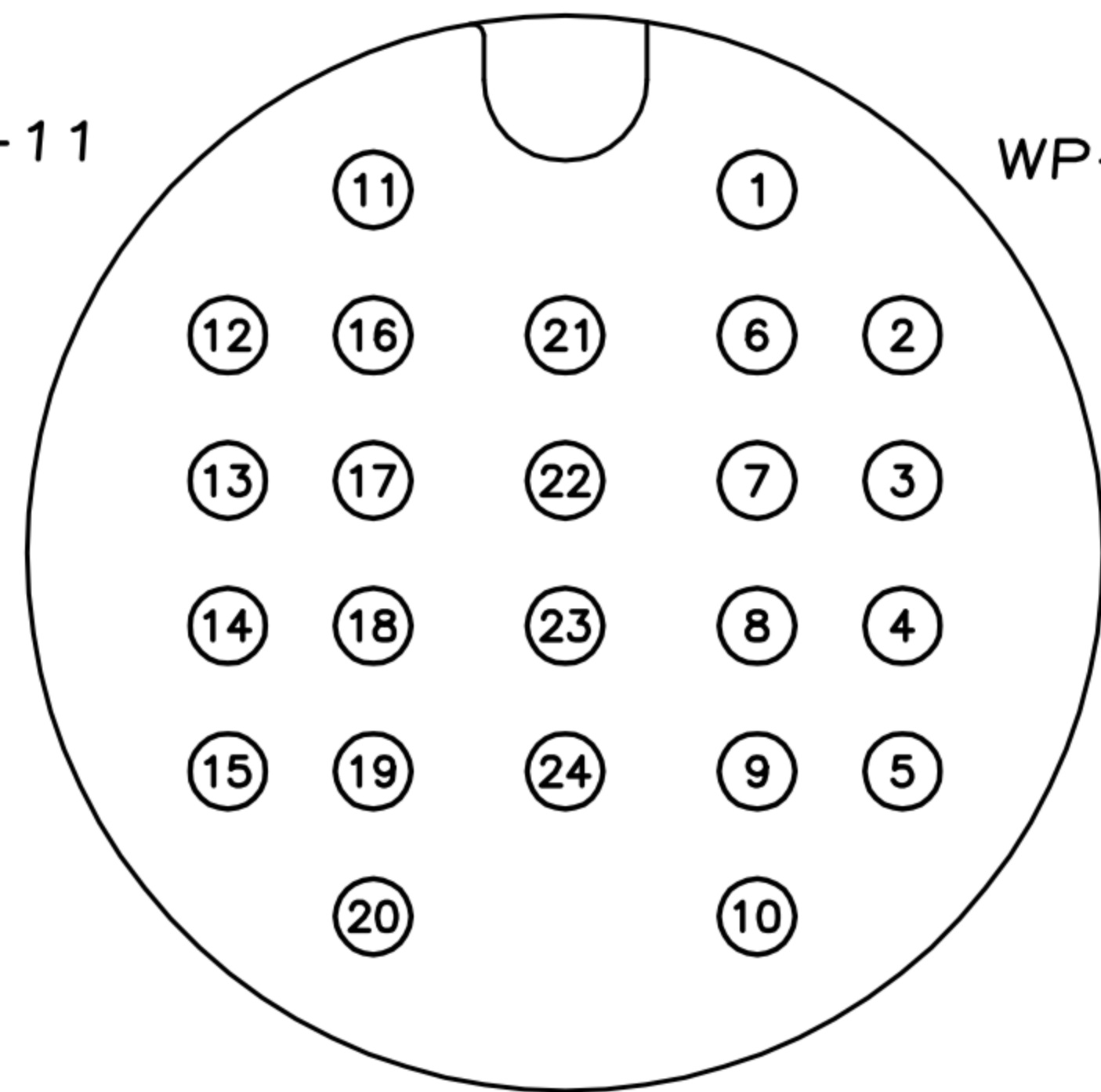
20P
WP-20F2-04-11



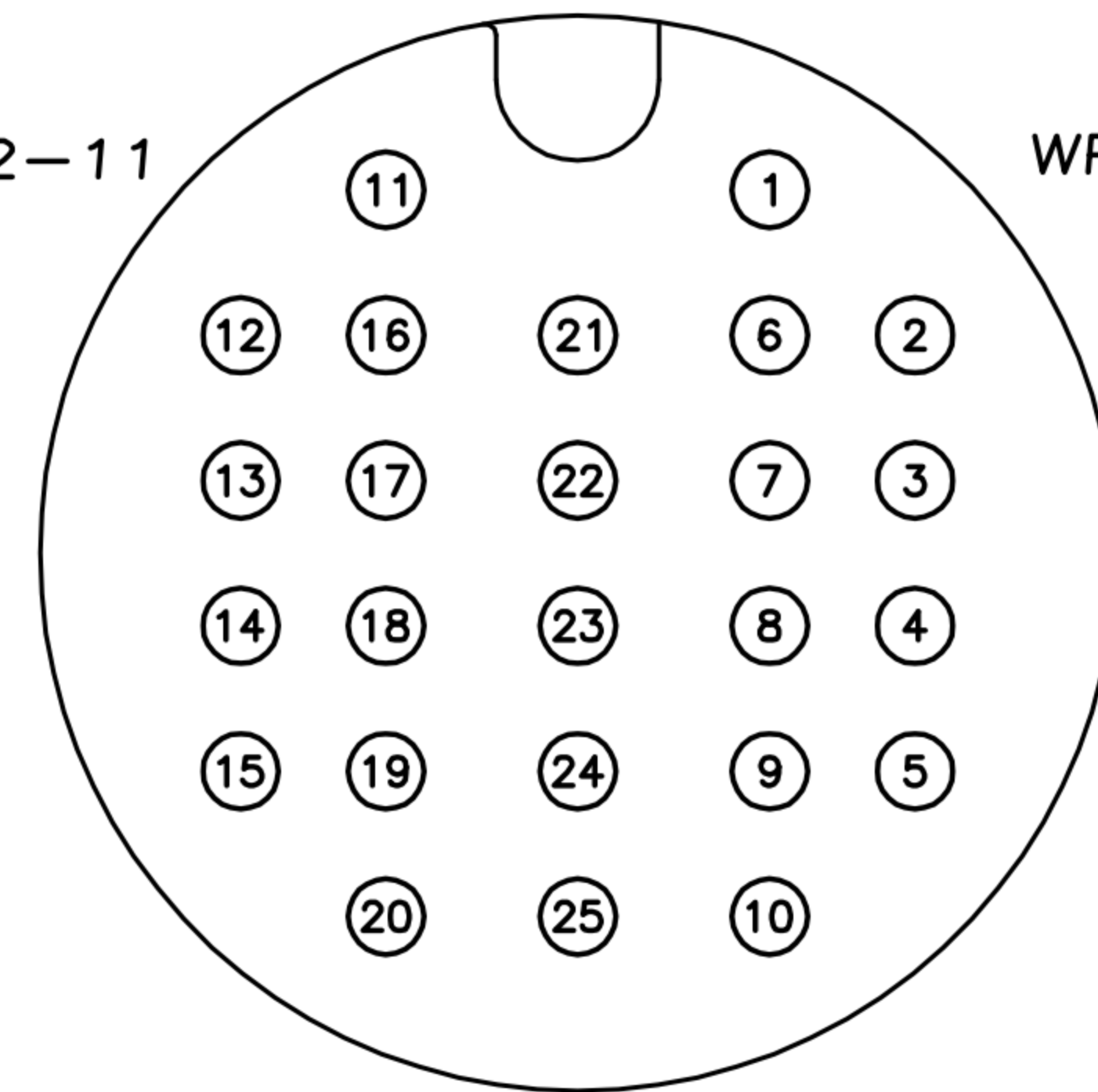
21P
WP-21F2-02-11



22P
WP-22F2-02-11



24P
WP-24F2-02-11



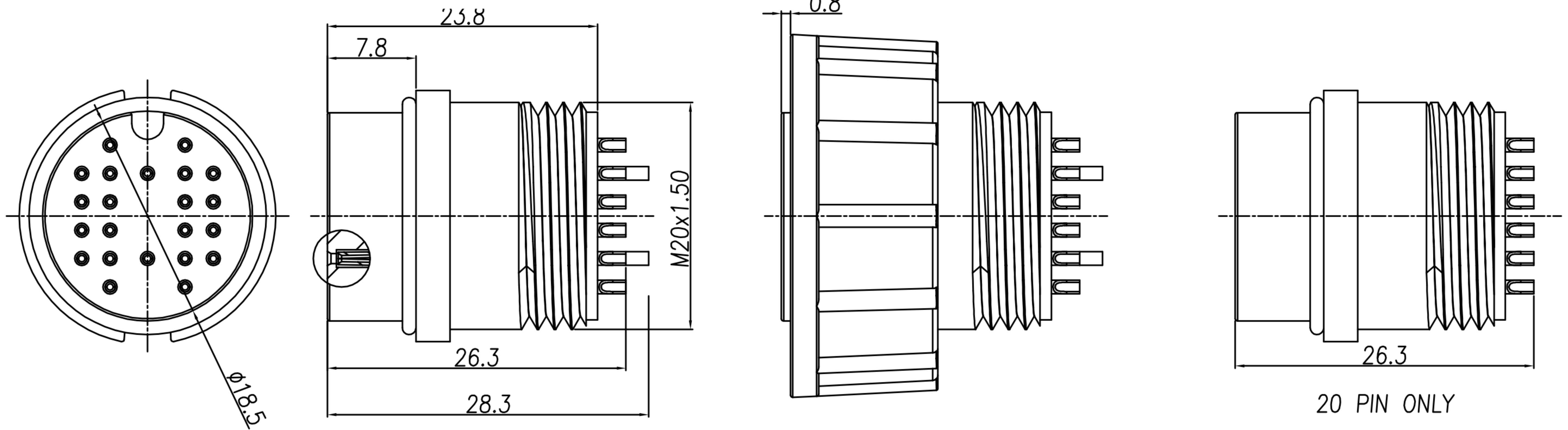
25P
WP-25F2-02-11

PIN CONFIGURATION

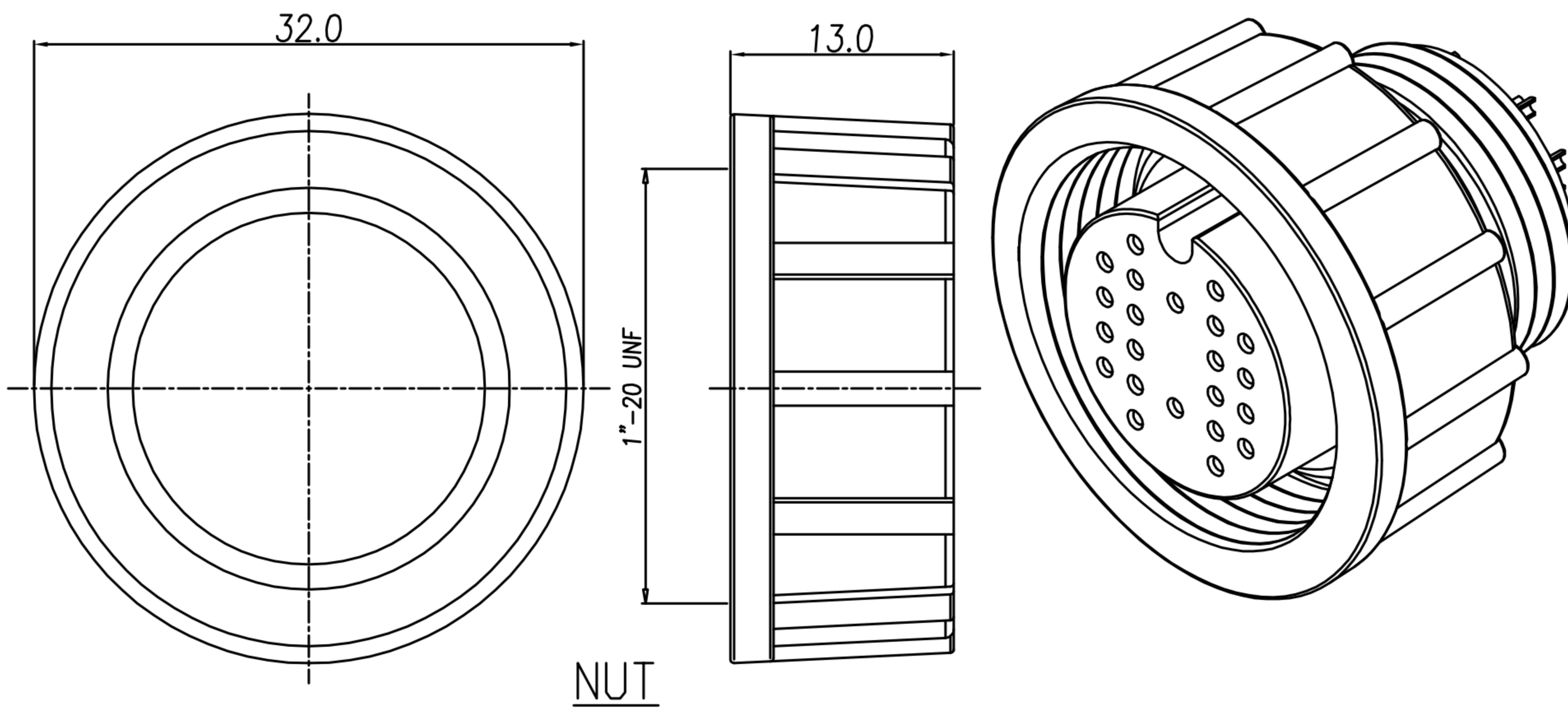
| | | | | | | | | | | | | | |
|-------|------------|-------|---------|-------|-----|--|--|--|----------|--|---------|--------|---------|
| DRAWN | Emily Suen | APP'D | KU Chou | UNIT | mm | TOLERANCE | | 广东科斯达电子科技有限公司 GUANG DONG KE SI DA ELECTRONIC TECHNOLOGY CO., LTD. | TITLE | WP D Size(F Conn. F PIN) Molded with Cabl(Screw Thread) | | | SHEET |
| CHK'D | KU Chou | | | SCALE | 1:1 | .x ±0.20 .xx ±0.10 .xxx ±0.05 .xxxx ±0.03 ANGULA ±1° | | | PART NO. | SEE TABLE A | DWG NO. | QC9694 | VERSION |

CUSTOMER DRAWING

| REV. | DESCRIPTION | APPROVED BY | DATE | ECN NO. |
|------|-------------|-------------|-----------|---------|
| A | RELEASE | KU Chou | 22/04/20* | |
| B | | | | |
| C | | | | |
| D | | | | |



ASS'Y



1. MATERIAL :
 - 1-1. HOUSING : PA66
 - 1-2. CONTACT : BRASS
 - 1-3. O-RING : SILICONE
 - 1-4. NUT : PA66
2. FINISH :
 - 2-1. CONTACT : GOLD FLASH PLATED
3. ELECTRICAL SPECIFICATION :
 - 3-1. Rated current : 2A
 - 3-2. Rated Voltage : 300V
4. Environmental :
 - 4-1. Operation Temperature : $-20^{\circ}\text{C} \sim 80^{\circ}\text{C}$

NUT

| | | | | | | | | | | | | | | |
|-------|------------|-------|---------|-------|-----|--|--|--|----------|--|---------|--------|---------|-----|
| DRAWN | Emily Suen | APP'D | KU Chou | UNIT | mm | TOLERANCE | | 广东科斯达电子科技有限公司 GUANG DONG KE SI DA ELECTRONIC TECHNOLOGY CO., LTD. | TITLE | WP D Size(F Conn. F PIN) Molded with Cabl(Screw Thread) | | | SHEET | 1/2 |
| CHK'D | KU Chou | | | SCALE | 1:1 | .x ±0.20 .xx ±0.10 .xxx ±0.05 .xxxx ±0.03 ANGULA ±1° | | | PART NO. | SEE TABLE A | DWG NO. | QC9694 | VERSION | A |