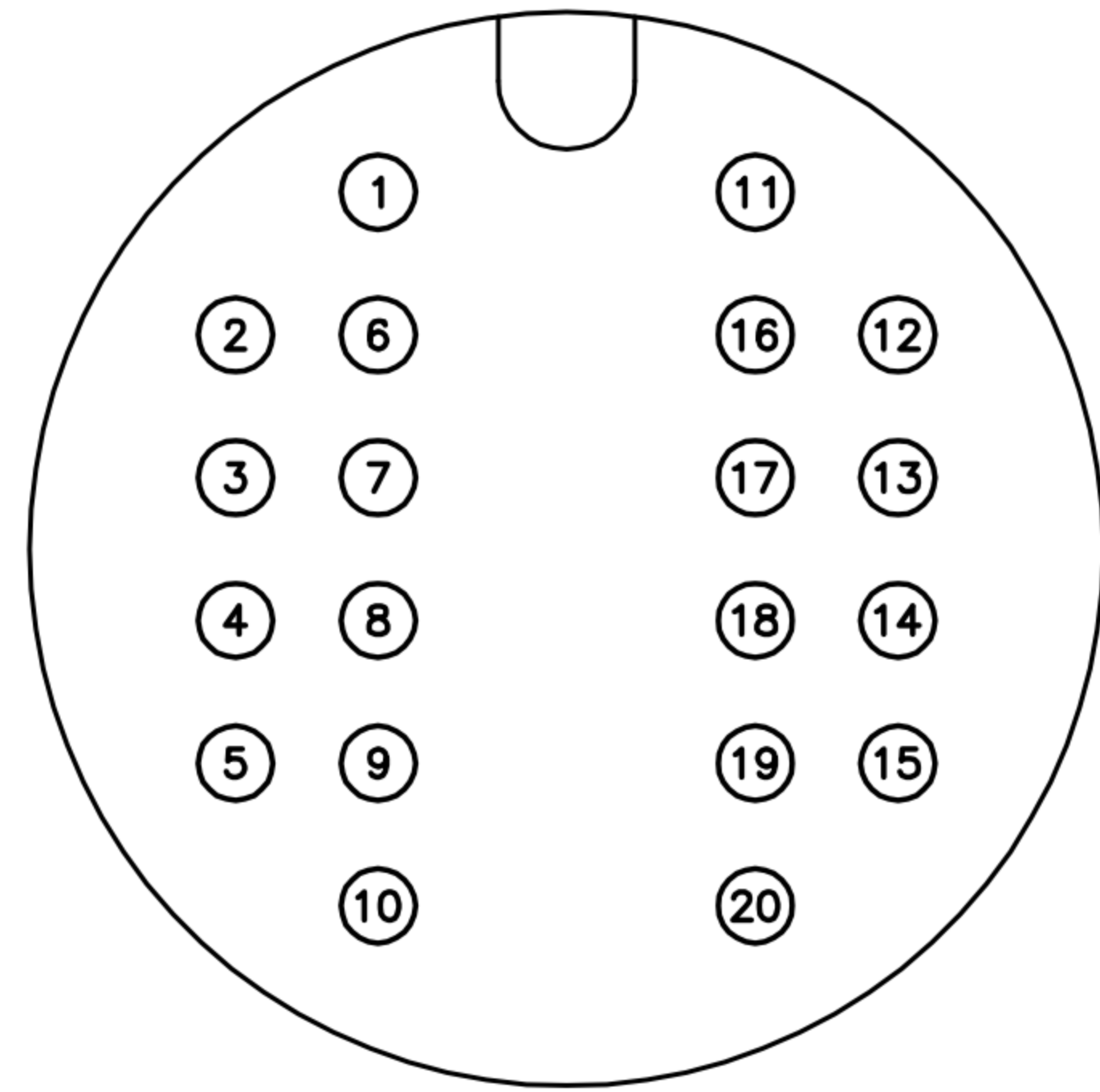


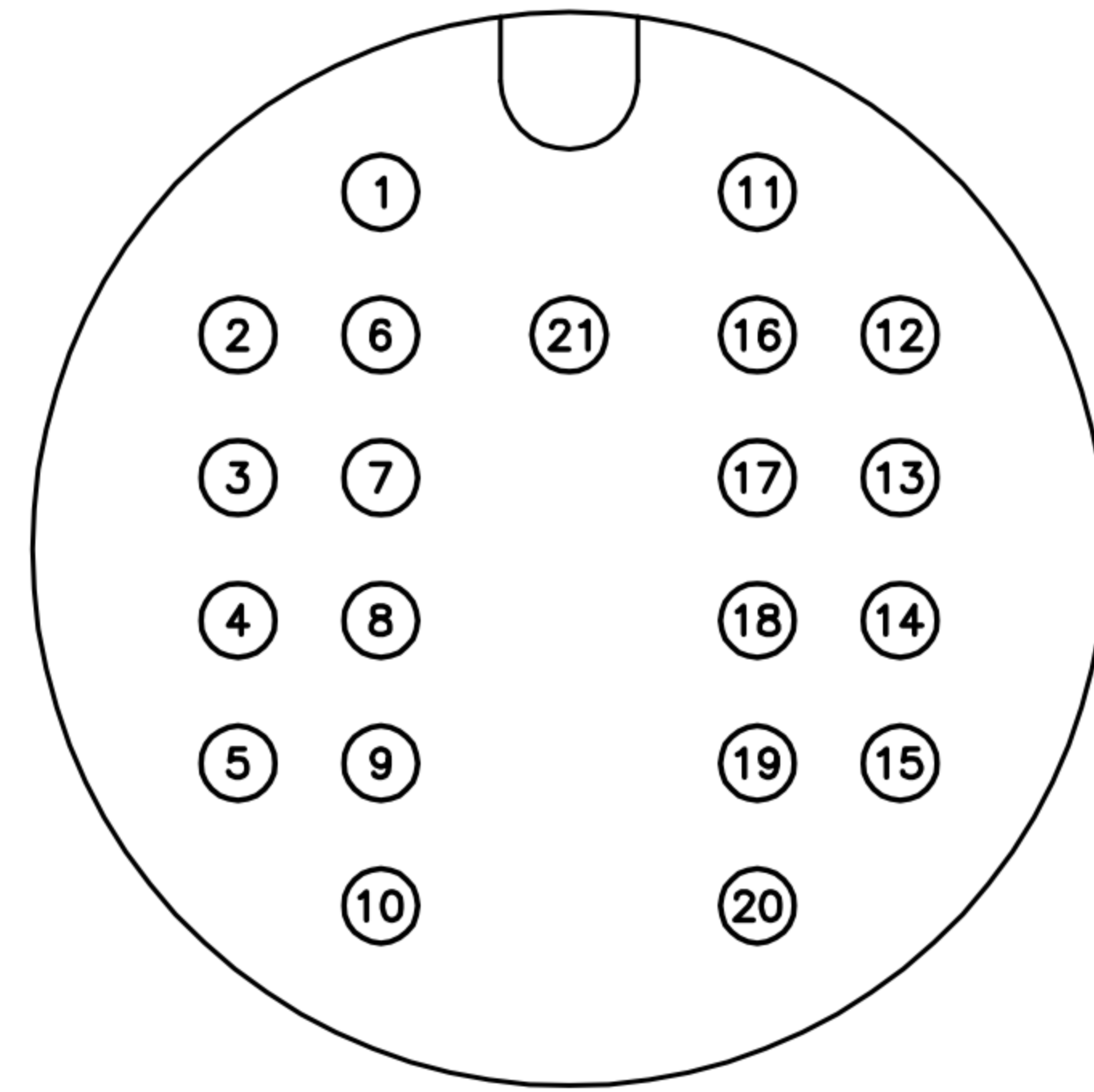
CUSTOMER DRAWING

REV.	DESCRIPTION	APPROVED BY	DATE	ECN NO.
A	RELEASE	Ku Chou	14/11/18'	
B				
C				

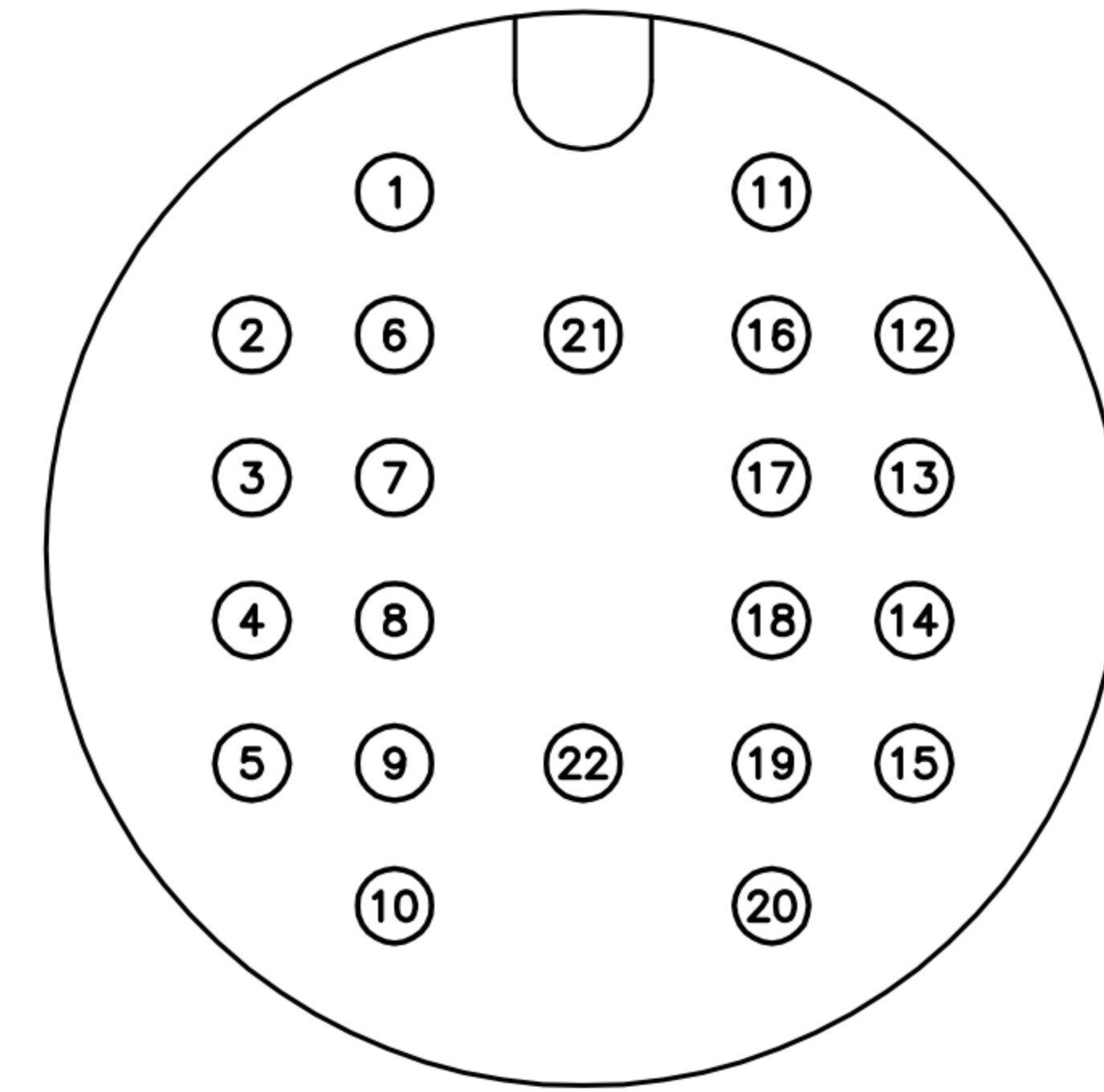
TABLE A



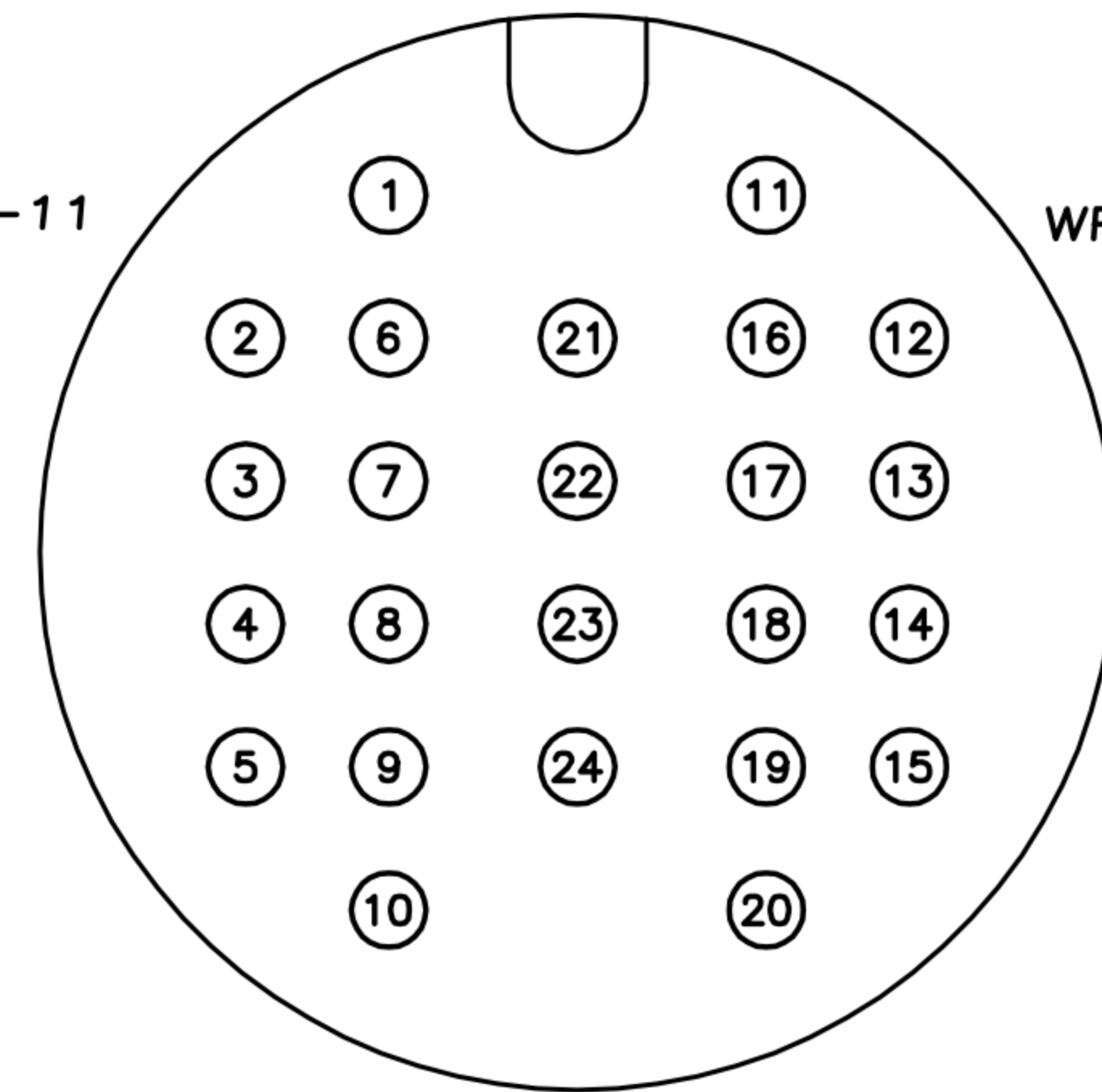
20P
WP-20M2-01-11



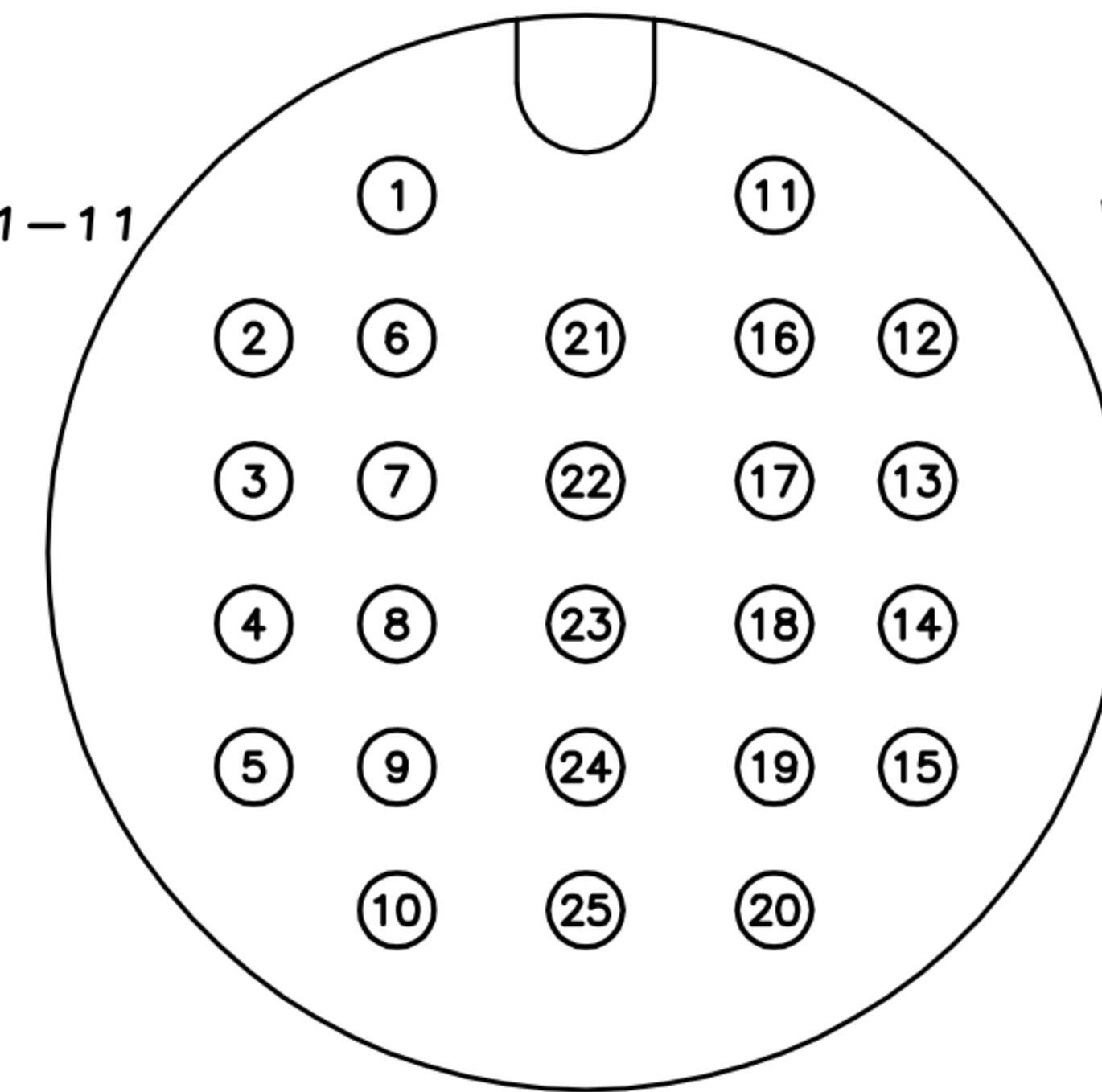
21P
WP-21M2-01-11



22P
WP-22M2-01-11



24P
WP-24M2-01-11



25P
WP-25M2-01-11

PIN CONFIGURATION

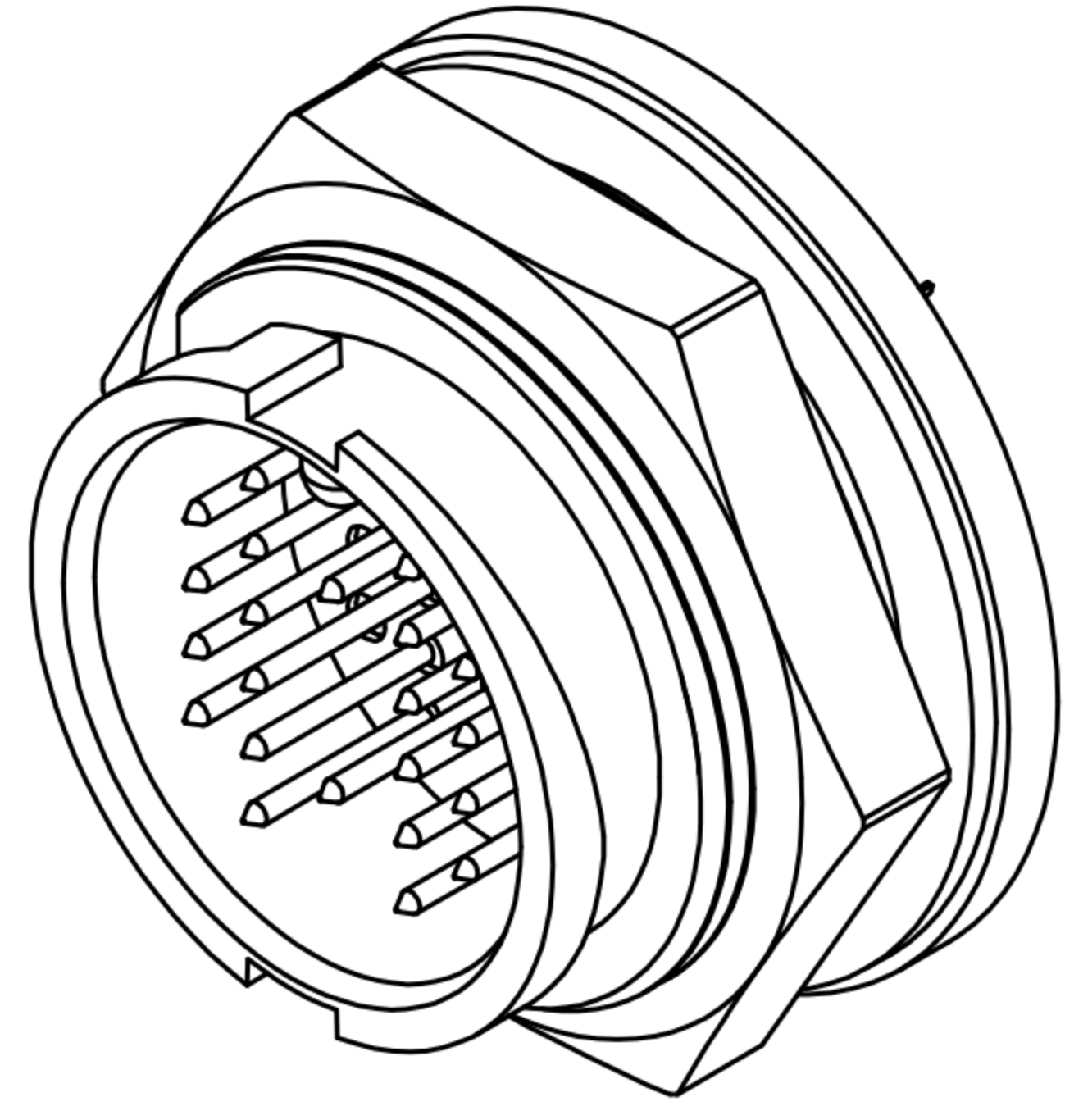
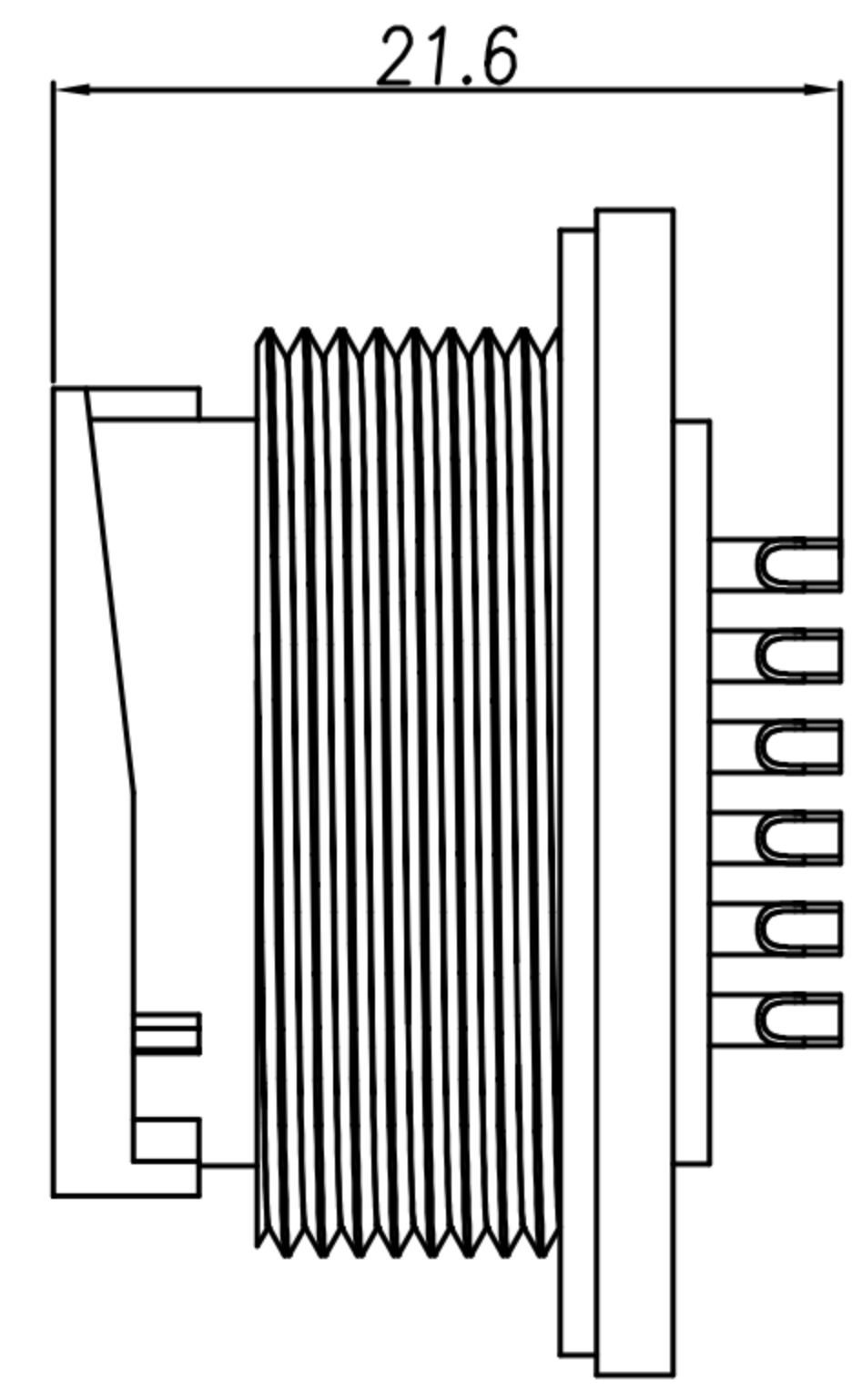
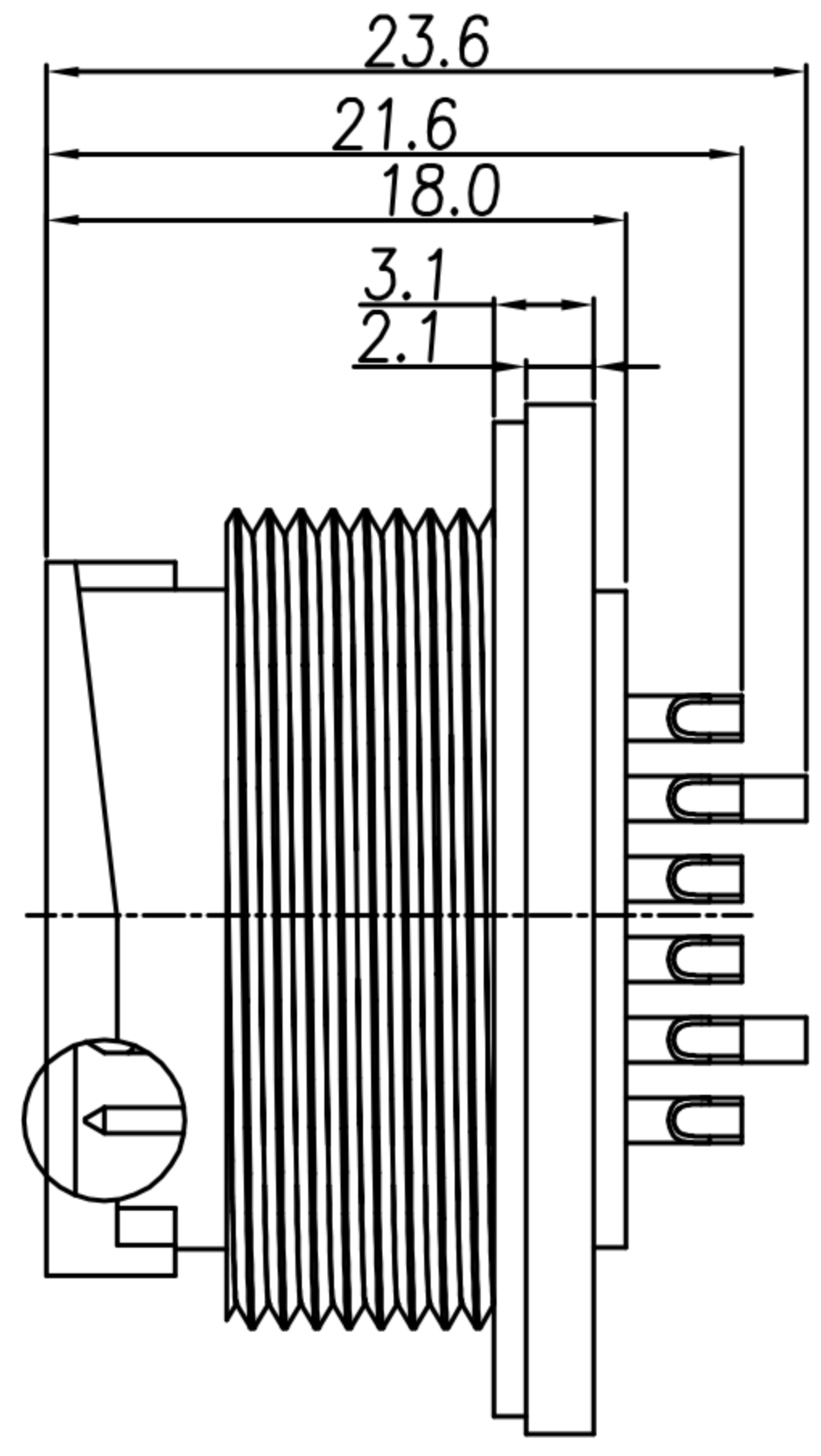
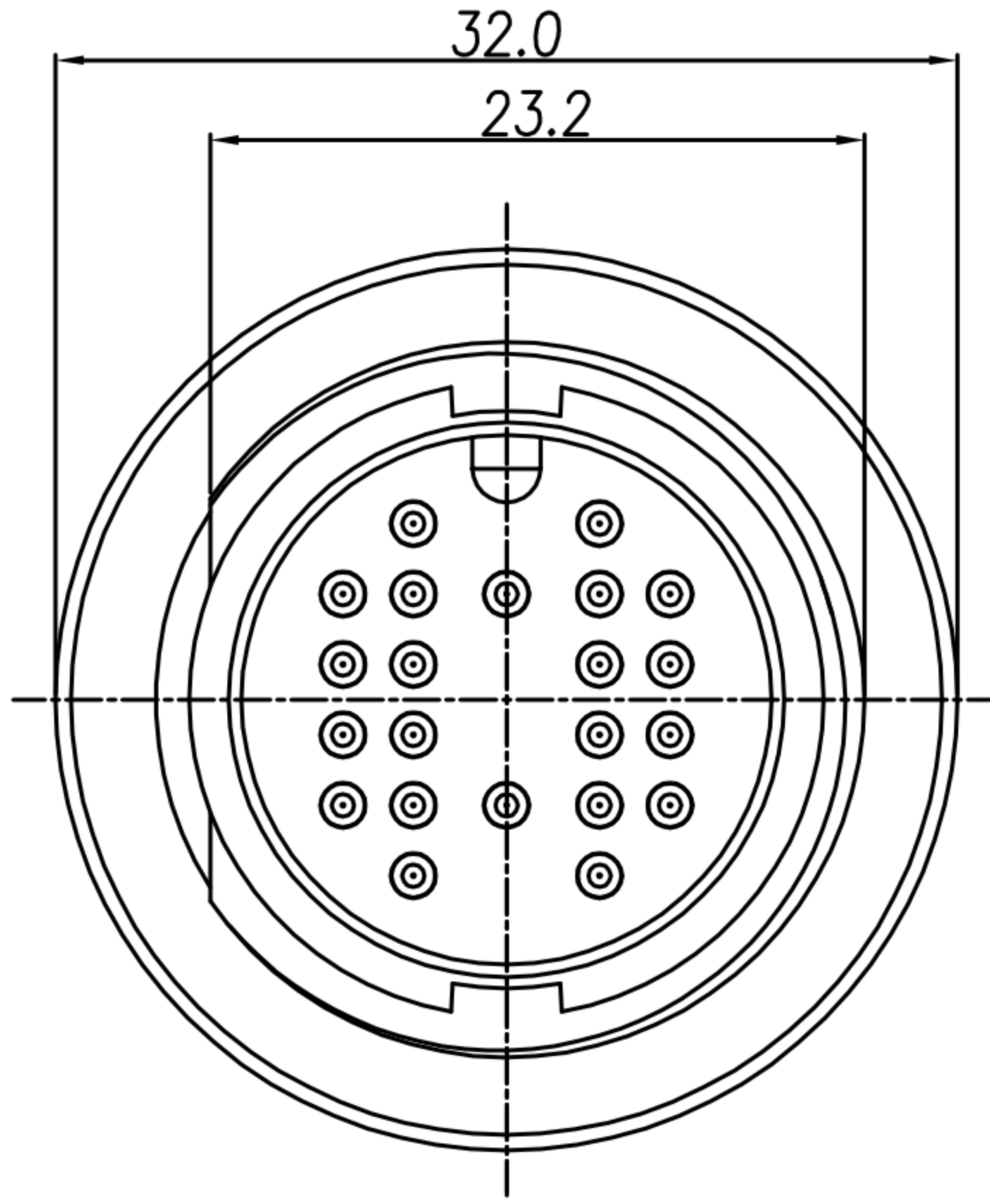
DRAWN	Yeh Chou	APP'D	KU Chou	UNIT	mm	TOLERANCE		<p>广东科斯达电子科技有限公司 GUANG DONG KE SI DA ELECTRONIC TECHNOLOGY CO., LTD.</p>	TITLE	WP D Size(M Conn. M PIN) Front Fastened(Lock Bayonet)-Circular			SHEET
CHK'D	KU Chou			SCALE	1:1	.x ±0.20 .xx ±0.10 .xxx ±0.05 .xxxx ±0.03 ANGULA ±1°			PART NO.	SEE TABLE A	DWG NO.	QC9369	VERSION

A B C D E F

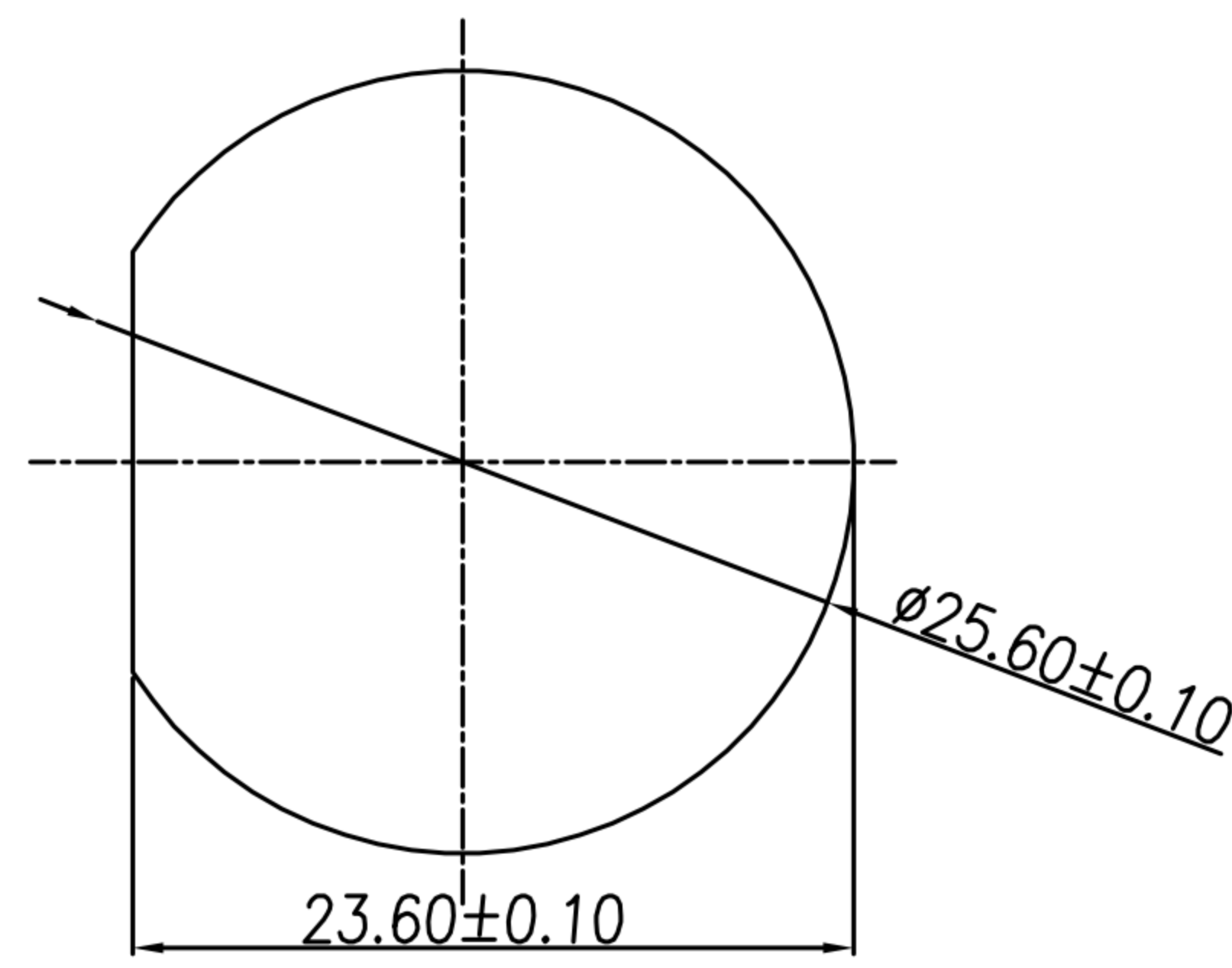
1
2
3
4

CUSTOMER DRAWING

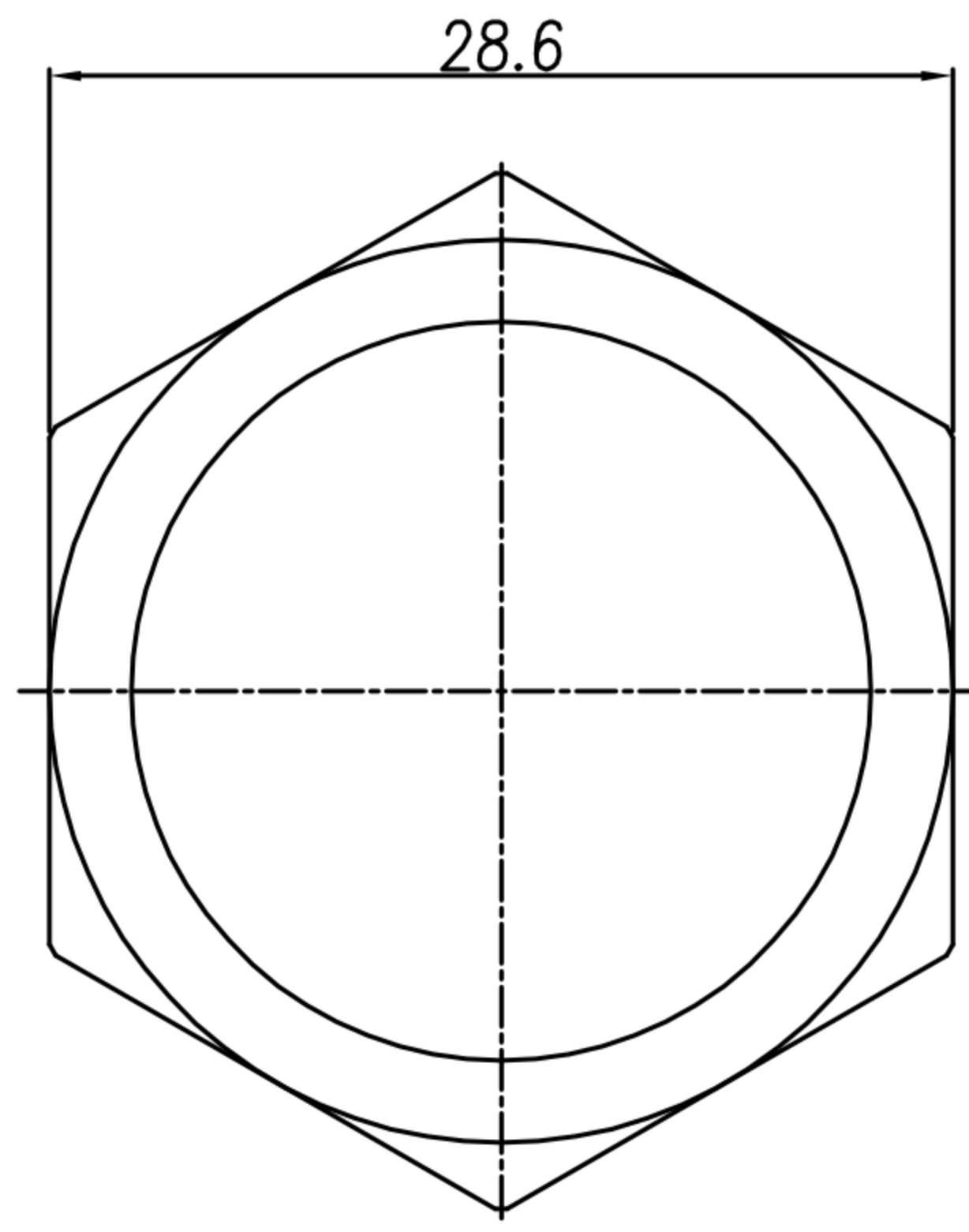
REV.	DESCRIPTION	APPROVED BY	DATE	ECN NO.
△A	RELEASE	Ku Chou	14/11/18'	
△B				
△C				



20 PIN ONLY



RECOMMEND PANEL HOLE



Hex Nut



1. MATERIAL :
 - 1-1. HOUSING : PA66
 - 1-2. CONTACT : BRASS
 - 1-3. GASKET : SILICONE
 - 1-4. HEX NUT : PA66
2. FINISH :
 - 2-1. CONTACT : GOLD FLASH PLATED
3. ELECTRICAL SPECIFICATION :
 - 3-1. Rated current : 2A
 - 3-2. Rated Voltage : 300V
4. Environmental :
 - 4-1. Operation Temperature : -40℃~105℃

DRAWN	Emily Suen	APP'D	KU Chou	UNIT	mm	TOLERANCE			广东科斯达电子科技有限公司 GUANG DONG KE SI DA ELECTRONIC TECHNOLOGY CO., LTD.	TITLE	WP D Size(M Conn. M PIN) Front Fastened(Lock Bayonet)-Circular			SHEET	1/2
CHK'D	KU Chou			SCALE	1:1					PART NO.	SEE TABLE A	DWG NO.	QC9369	VERSION	A