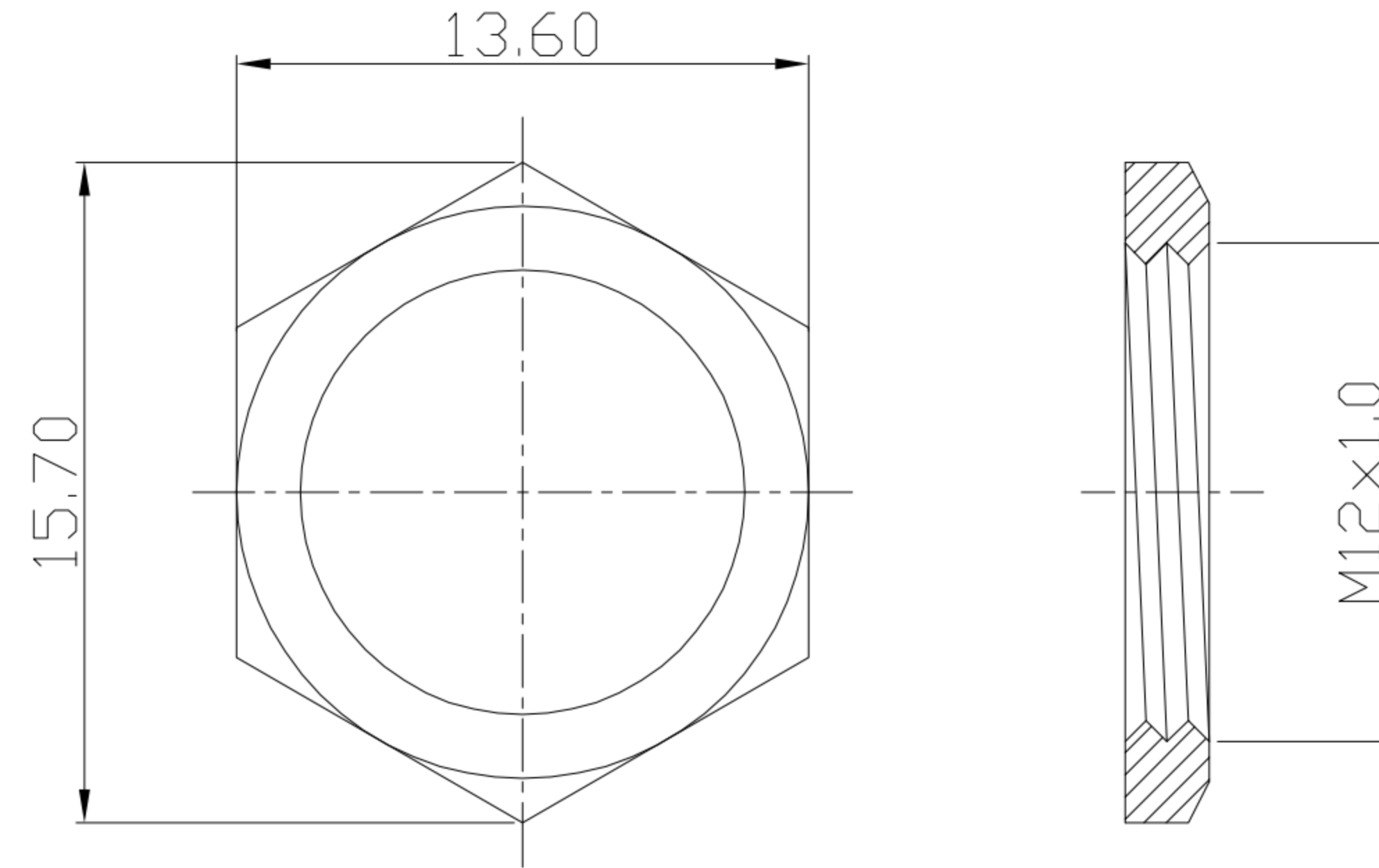
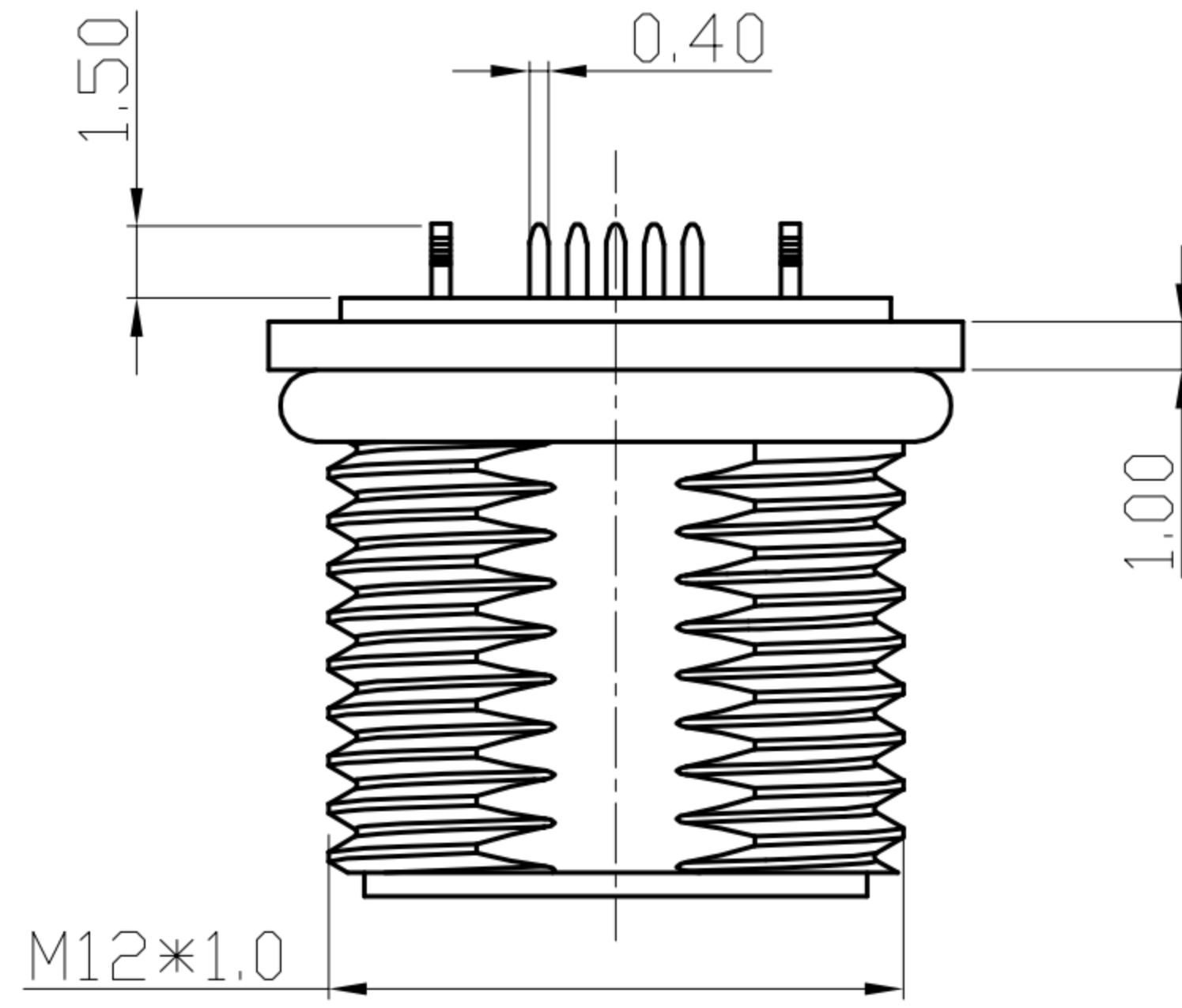
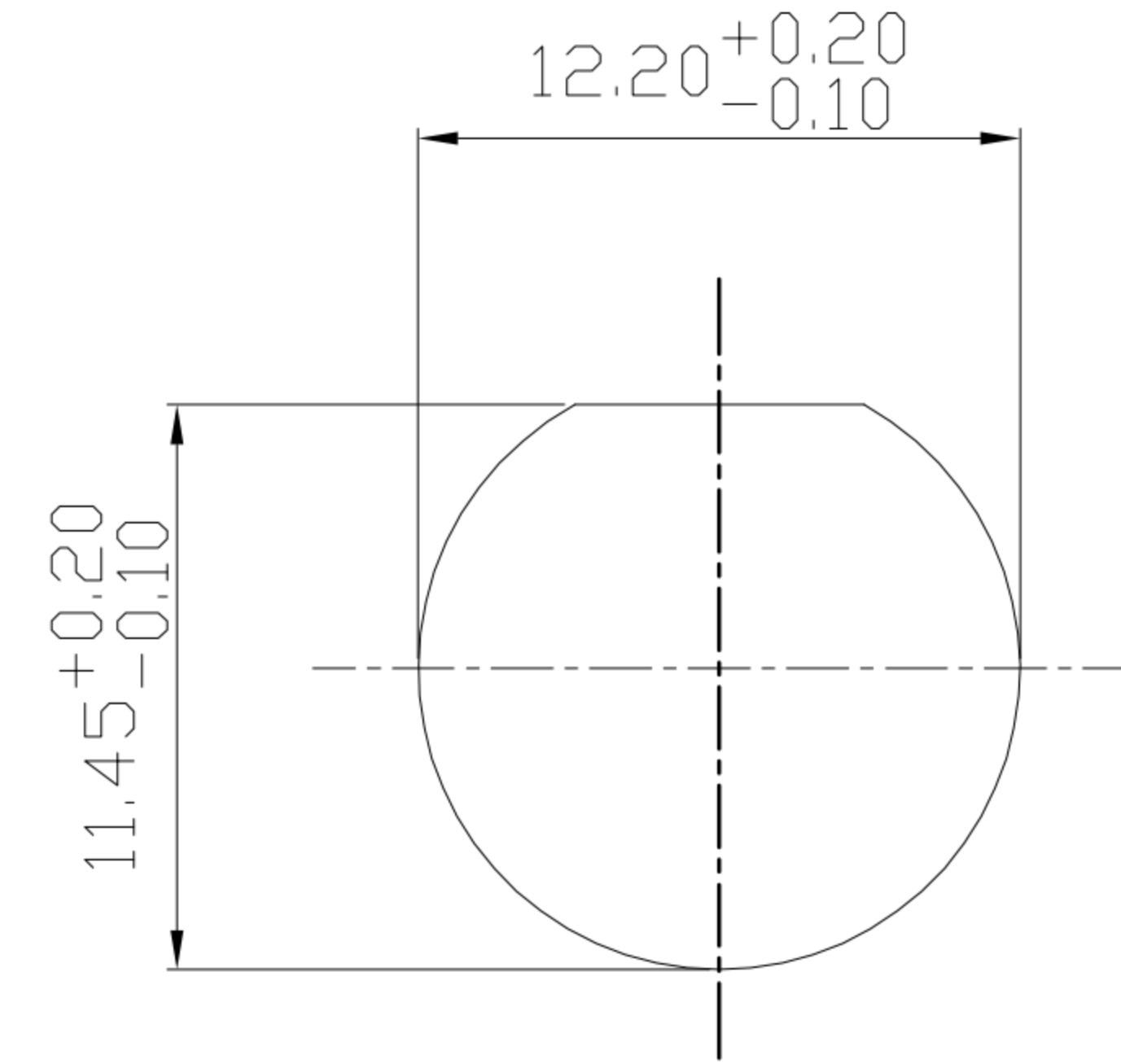


CUSTOMER DRAWING

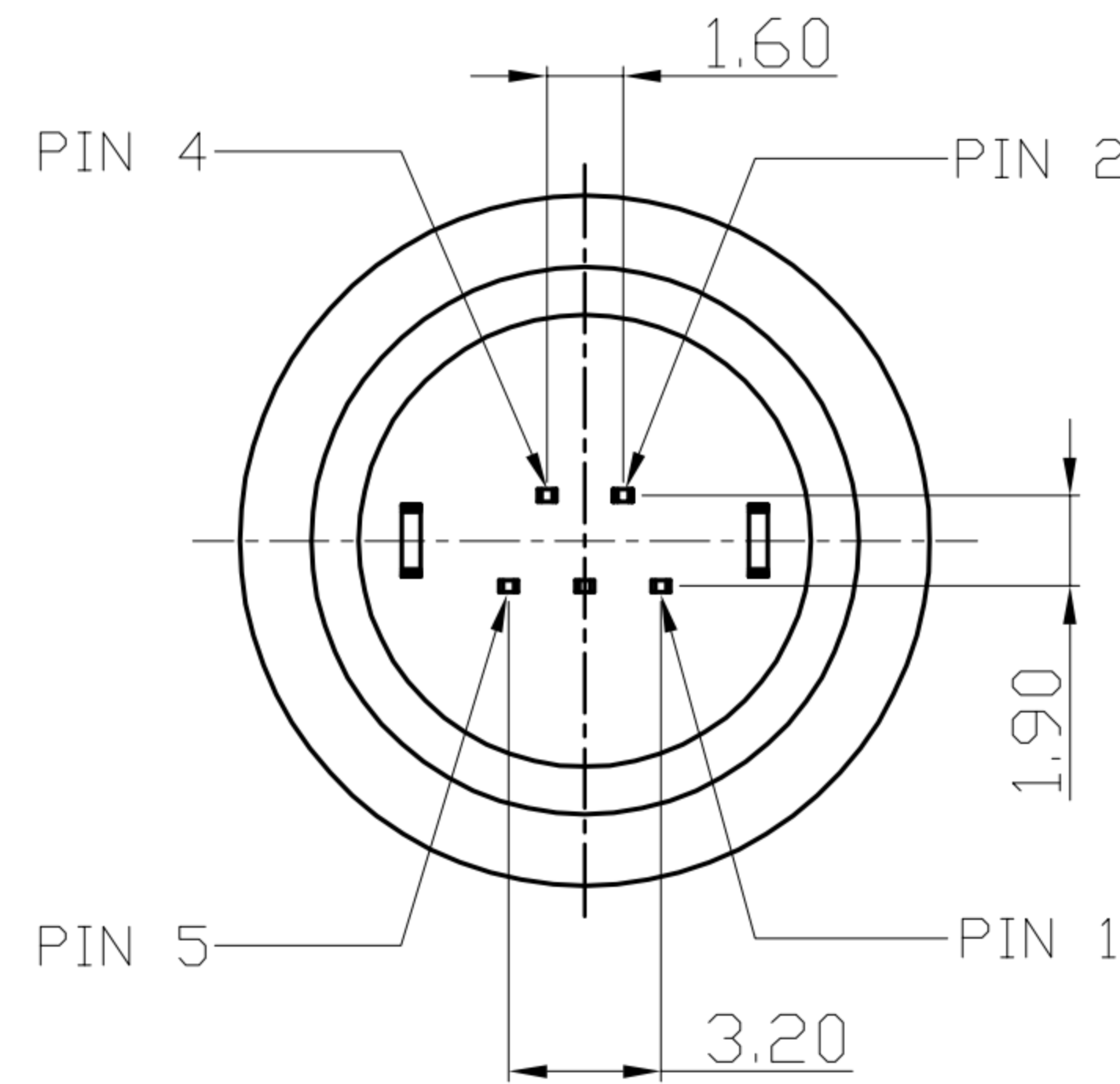
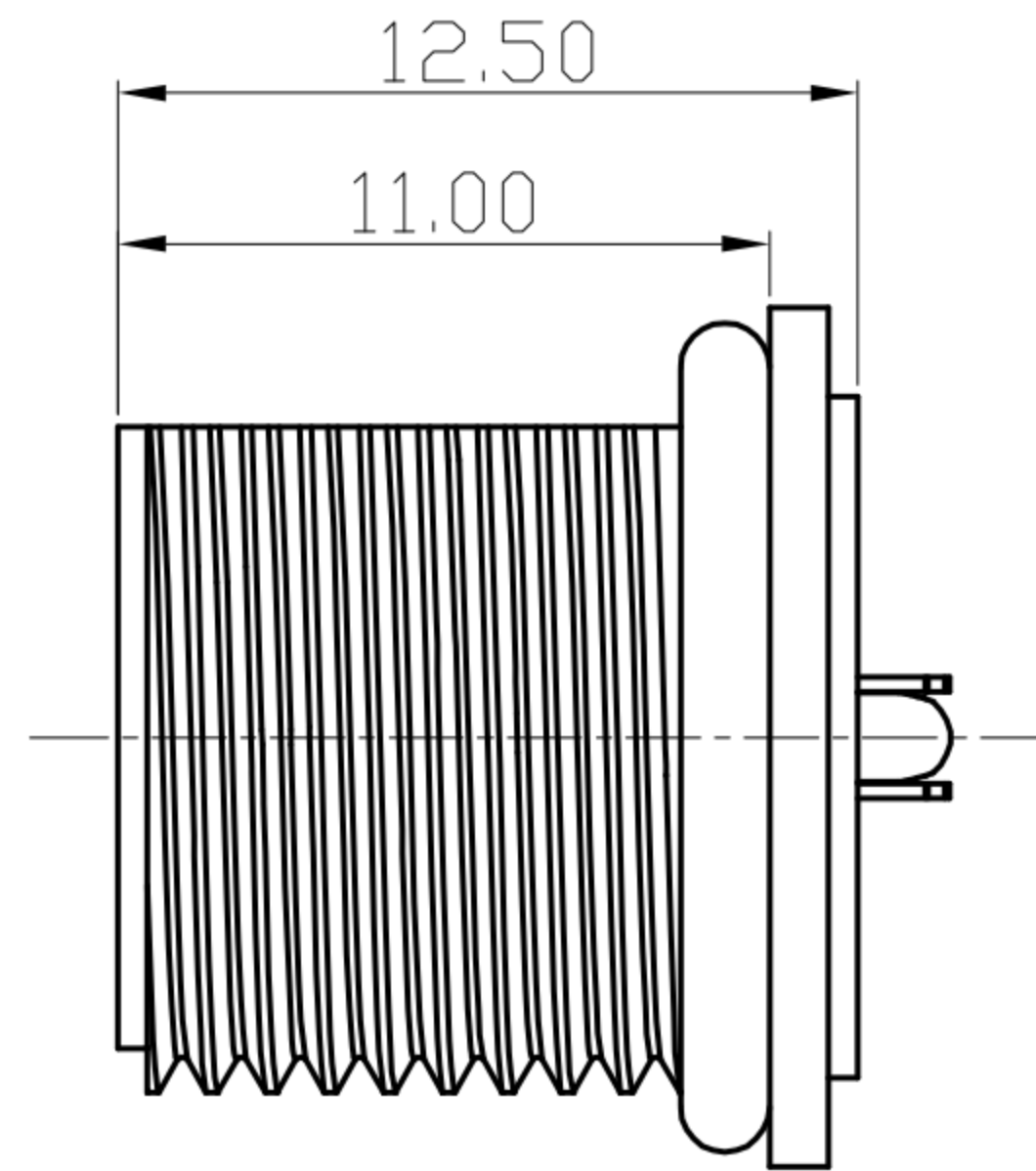
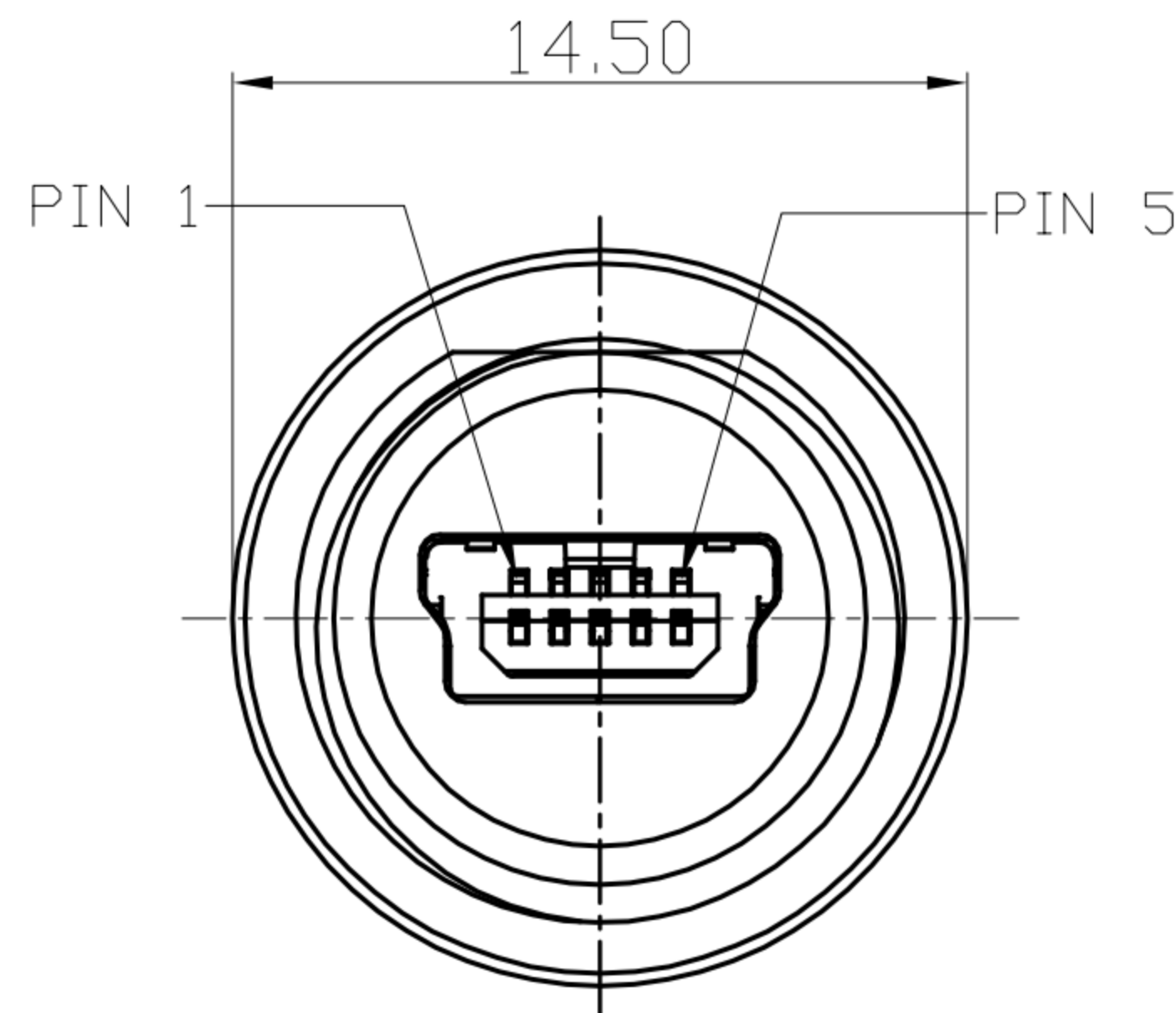
| REV. | DESCRIPTION | APPROVED BY | DATE      | ECN NO. |
|------|-------------|-------------|-----------|---------|
| A    | RELEASE     | Fido Weng   | 22/11/10* |         |
| B    |             |             |           |         |
| C    |             |             |           |         |



NUT



PUT OUT



1. MATERIAL :
  - 1-1 . HOUSING ; LCP UL94V-0 ; COLOR ; BLACK
  - 1-2 . CONTACT ; PHOSPHOR BRONZE
  - 1-3 . SHELL ; BRASS
  - 1-4 . USB BODY ; PBT UL94V-0 ; COLOR ; BLACK
2. PARTS
  - 2-1 . EXTEMAL NUT ; PBT UL94V-0 ; COLOR ; BLACK
  - 2-2 . O-RING ; EPDM (1.5\*9.5) ; COLOR ; BLACK.
3. PLATING
  - 3-1 . CONTACT ; GOLD PALTING ON CONTACT AERA  
BRIGHT TIN ON SOLDER AERA
  - 3-2 . SHELL ; NICKEL PLATING ON OVER ALL
4. ELECTRICAL SPECIFICATION :
  - 4-1. WATERPROOF ; IP67
  - 4-2. RATED CURRENT ; 1A
  - 4-3. RATED VOLTAGE ; 30V

|       |            |       |            |       |     |  |  |  |  |          |  |         |        |         |   |
|-------|------------|-------|------------|-------|-----|--|--|--|--|----------|--|---------|--------|---------|---|
| DRAWN | Yeh        | APP'D | Emily Suen | UNIT  | mm  | TOLERANCE  |  |  | 广东科斯达电子科技有限公司<br>GUANG DONG KE SI DA ELECTRONIC TECHNOLOGY CO., LTD. | TITLE    | WATERPROOF MINI USB 5P (F) SCREW TYPE L=11 |         |        | SHEET   | 1 |
| CHK'D | Emily Suen |       |            | SCALE | 1:1 | .x ±0.20<br>.xx ±0.10<br>.xxx ±0.05<br>.xxxx ±0.03<br>ANGULA ±1° |  |  |  | PART NO. | MU-05F2-18-11                              | DWG NO. | QC8536 | VERSION | A |