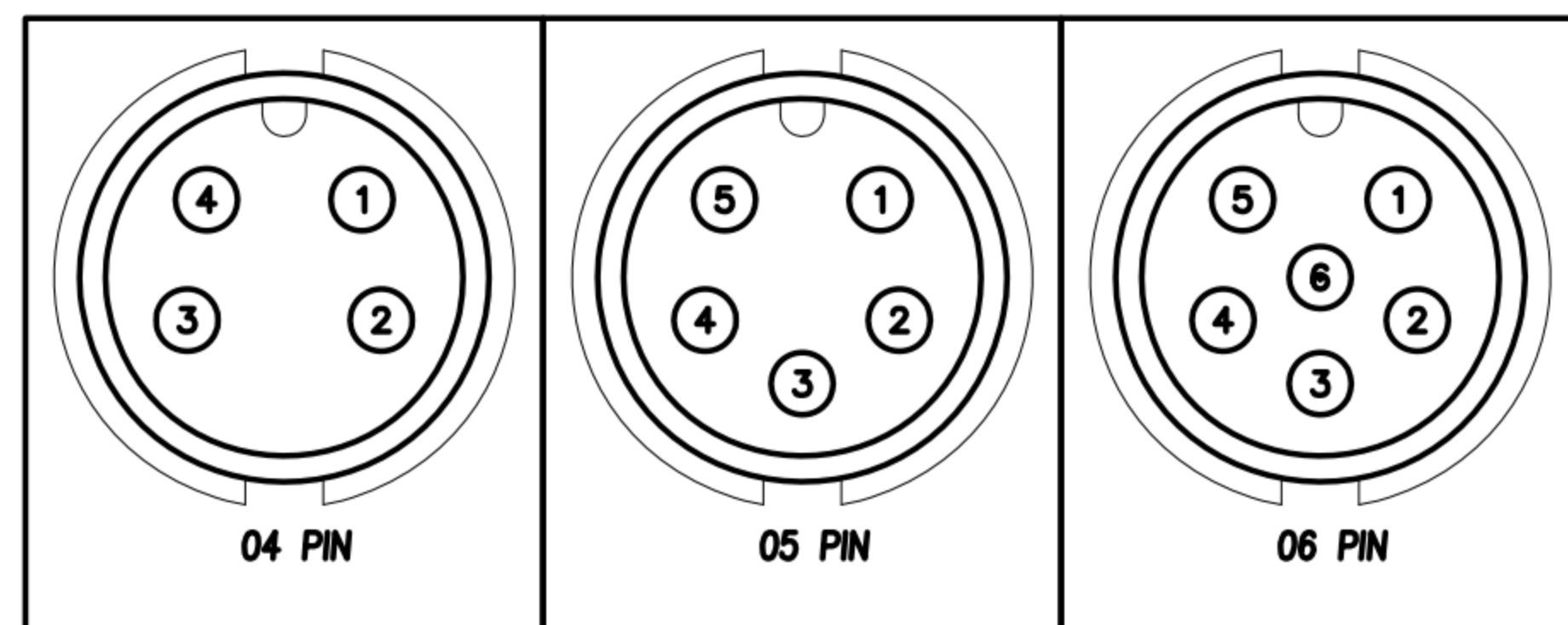


CUSTOMER DRAWING

REV.	DESCRIPTION	APPROVED BY	DATE	ECN NO.
B	CHANGE BOM	Ku Chou	10/09/18'	
C	CHANGE CLAMP RING MATERIAL	Ku Chou	30/10/18'	
D	ADD P/N	Ku Chou	25/04/19'	

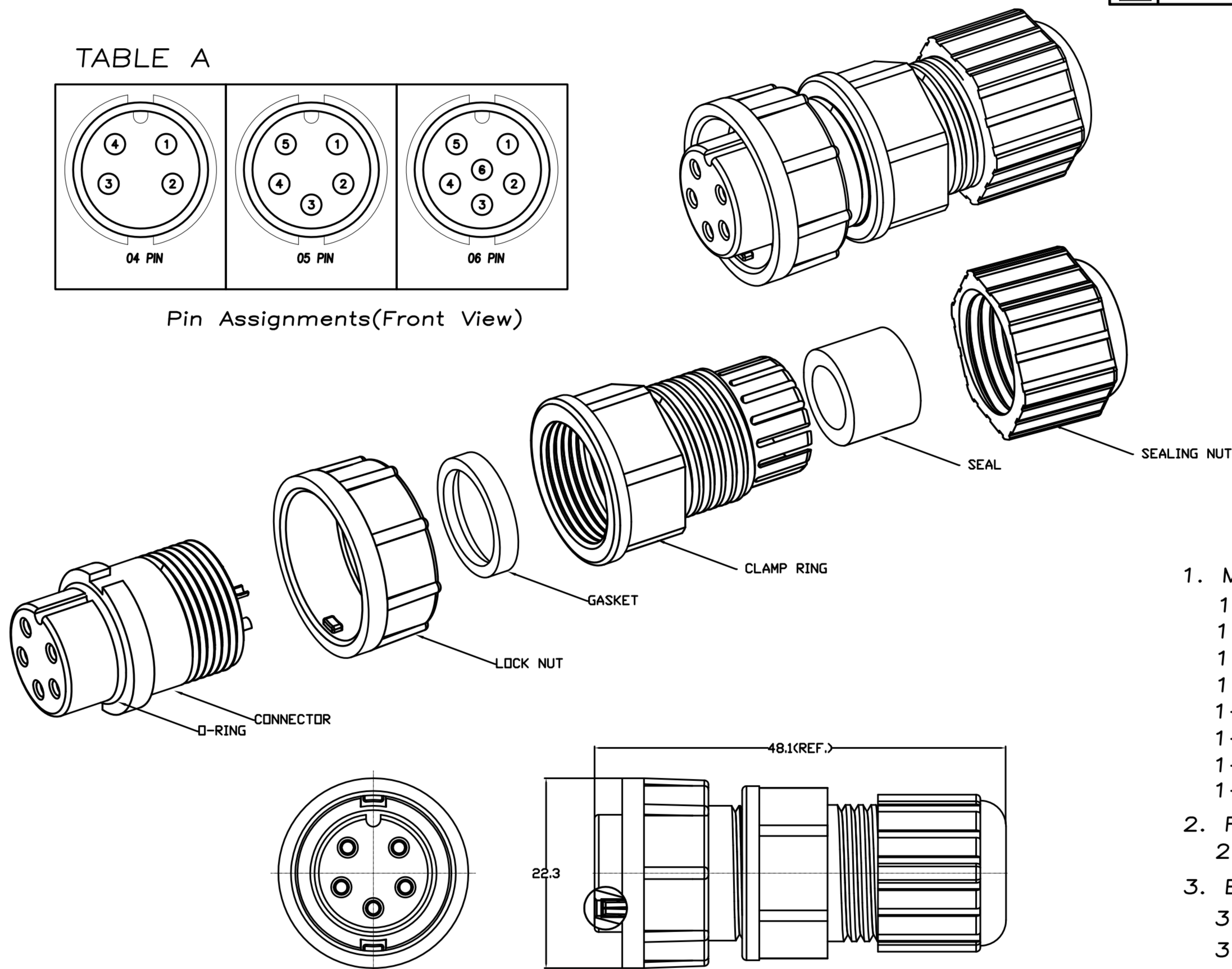
TABLE A



Pin Assignments(Front View)

TABLE A

P/N	CABLE OD $\phi$
WP-06F2-89-11	$\phi 8.6\text{mm} \sim \phi 9.6\text{mm}$
WP-06F2-88-11	$\phi 6.5\text{mm} \sim \phi 7.6\text{mm}$
WP-05F2-224-11	$\phi 8.6\text{mm} \sim \phi 9.6\text{mm}$
WP-05F2-149-11	$\phi 6.5\text{mm} \sim \phi 7.6\text{mm}$
WP-04F2-282-11	$\phi 8.6\text{mm} \sim \phi 9.6\text{mm}$
WP-04F2-220-11	$\phi 6.5\text{mm} \sim \phi 7.6\text{mm}$



1. MATERIAL :

- 1-1. HOUSING : PA66
- 1-2. CONTACT : BRASS
- 1-3. O-RING : SILICONE
- 1-4. LOCK NUT : PA66
- 1-5. GASKET : SILICONE
- 1-6. CLAMP RING : PA66  $\triangle$
- 1-7. SEAL : SILICONE
- 1-8. SEALING NUT : PA66

2. FINISH :

- 2-1. CONTACT : GOLD FLASH PLATED.

3. ELECTRICAL SPECIFICATION :

- 3-1. Rated current : 10A
- 3-2. Rated Voltage : 250V
- 3-3. Water proof : IP67

4. Environmental :

- 4-1. Operation Temperature :  $-40^{\circ}\text{C} \sim 105^{\circ}\text{C}$

DRAWN	Emily Suen	APP'D	Ku Chou	UNIT	mm	TOLERANCE		广东科斯达电子科技有限公司 GUANG DONG KE SI DA ELECTRONIC TECHNOLOGY CO., LTD.	TITLE	WP FEMALE (FEMALE PIN) C SIZE ASSEMBLY TYPE(LOCK)-10A			SHEET	
CHK'D	Ku Chou			SCALE	1:1	.x $\pm 0.20$ .xx $\pm 0.10$ .xxx $\pm 0.05$ .xxxx $\pm 0.03$ ANGULAR $\pm 1^{\circ}$			PART NO.	SEE TABLE A	DWG NO.	QC8618	VERSION	