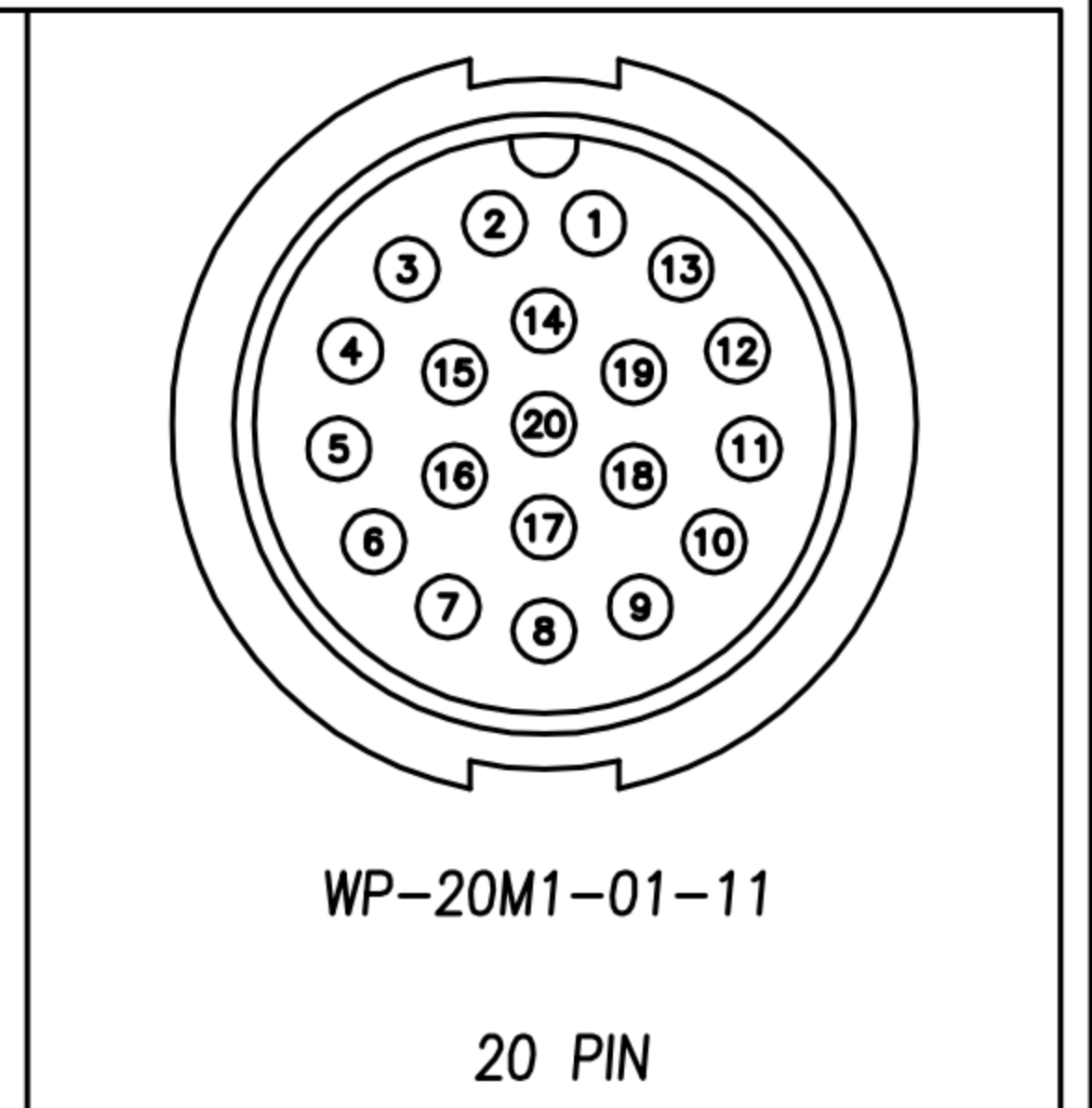
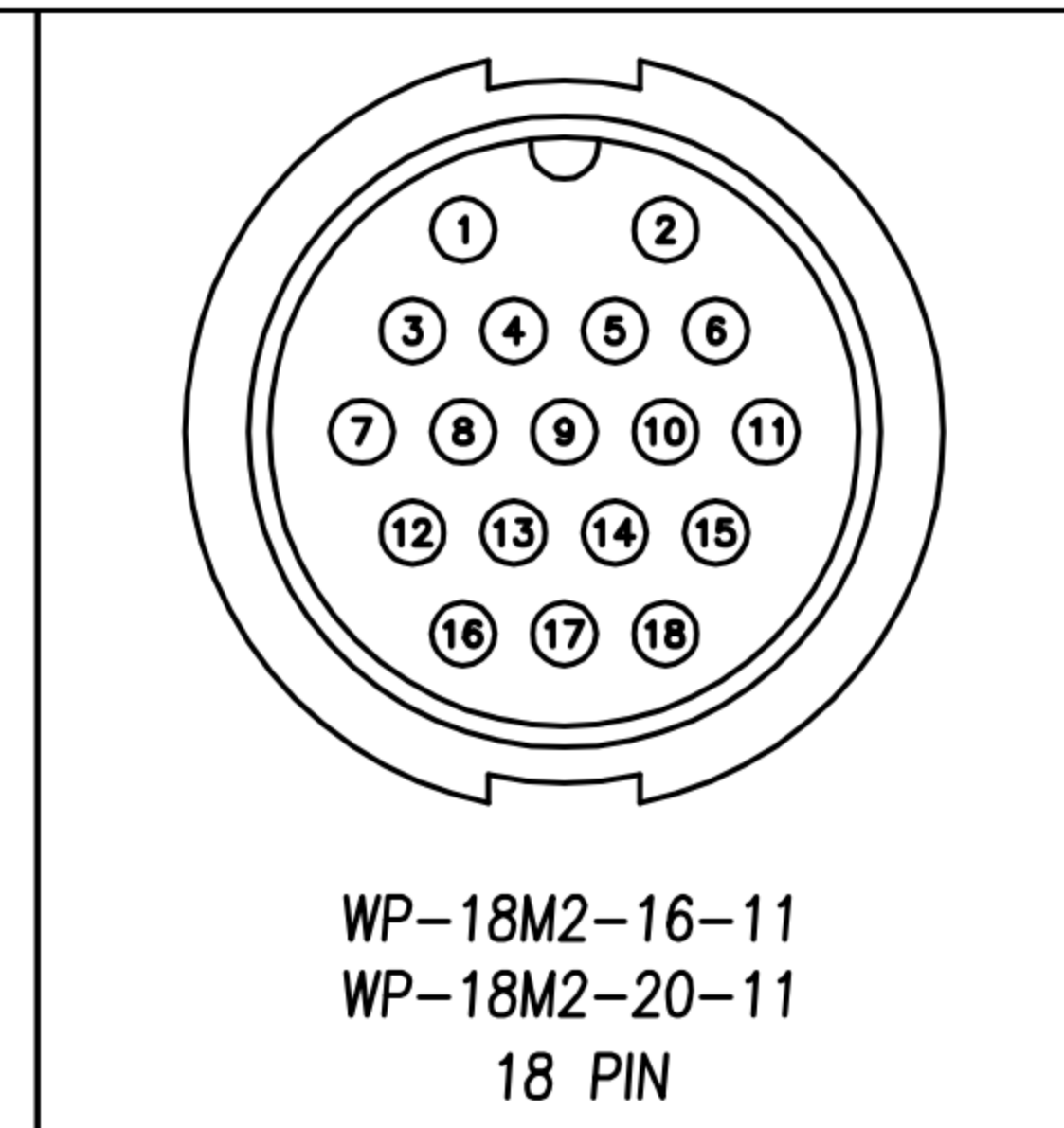
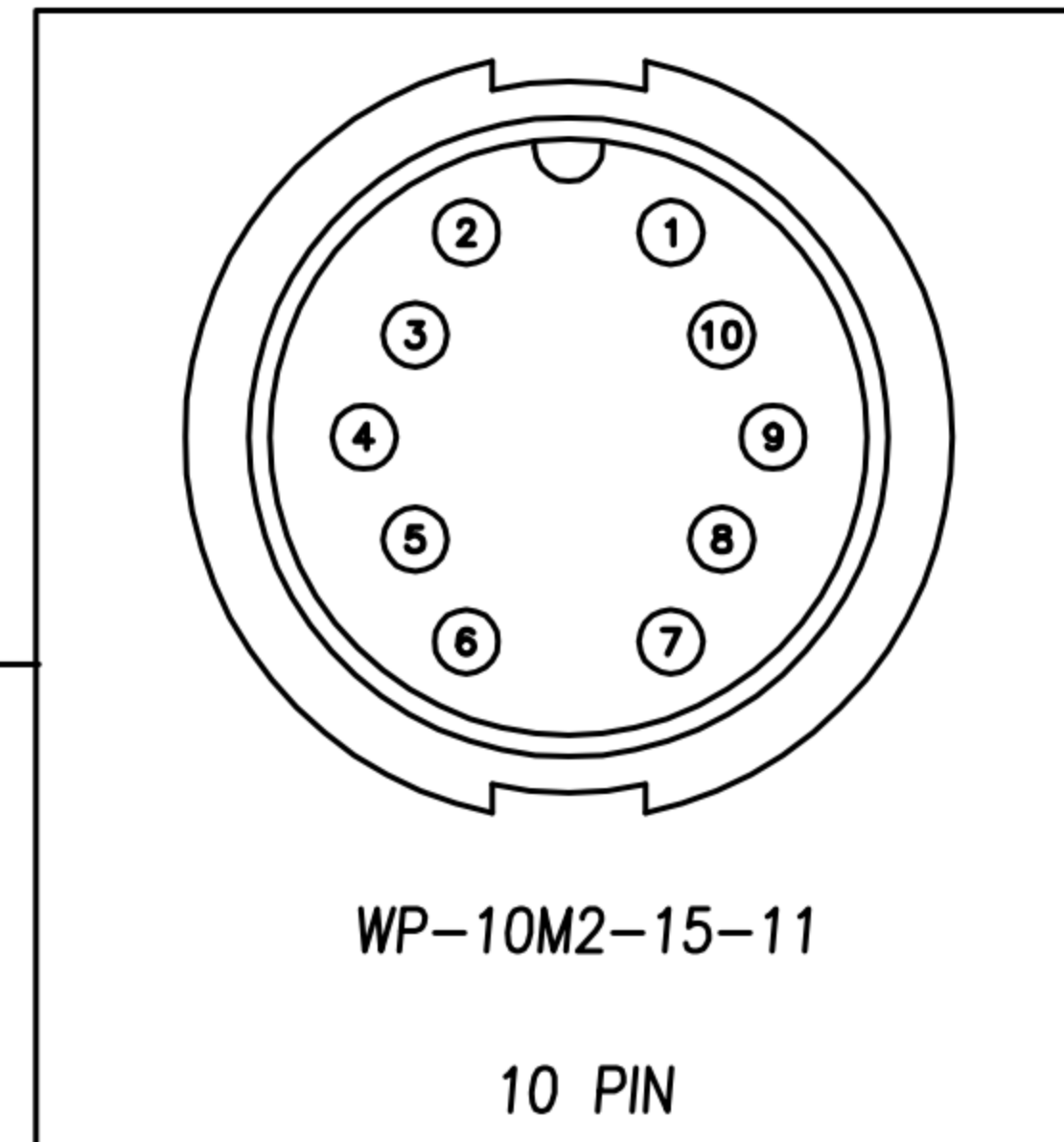
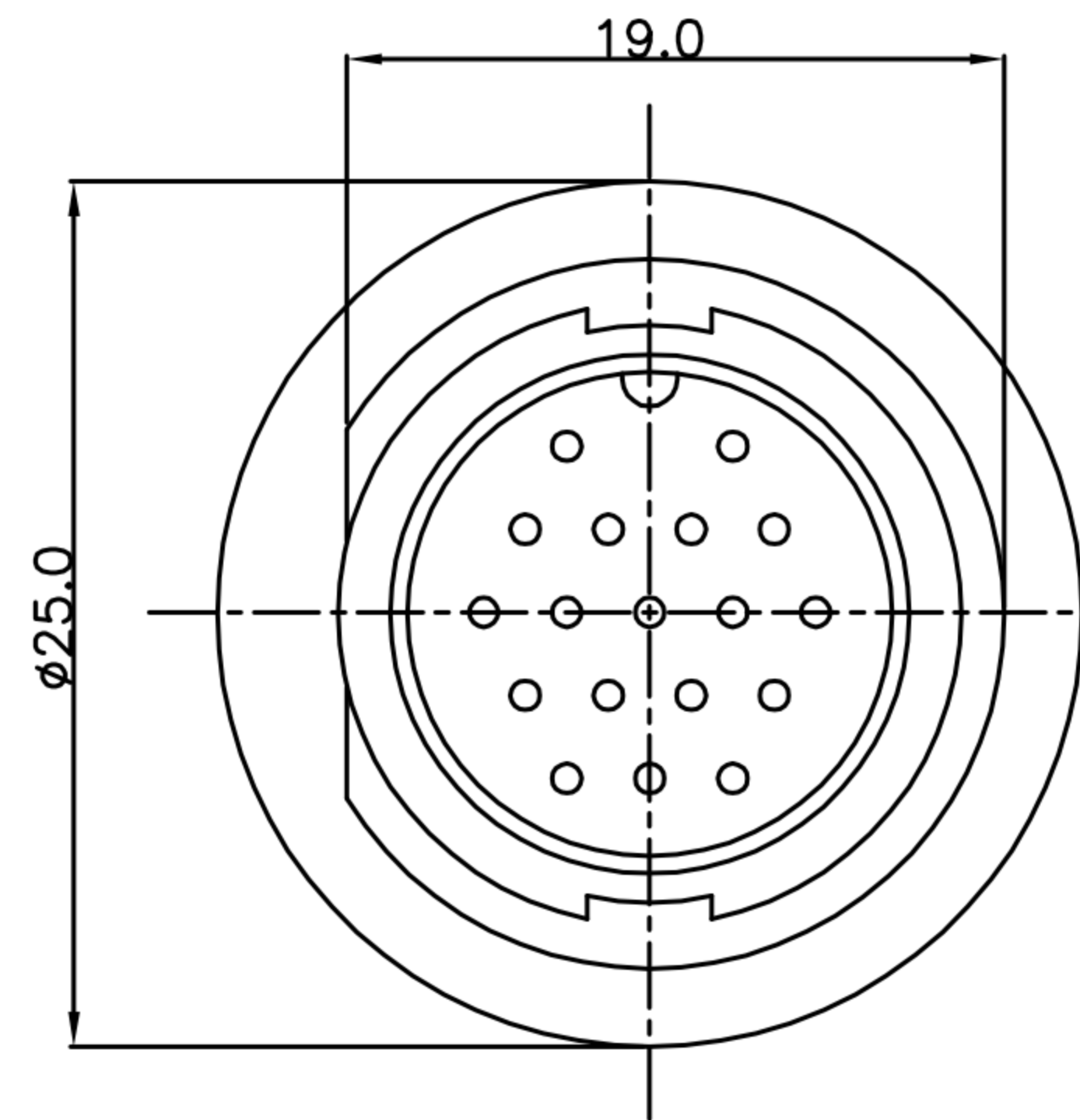
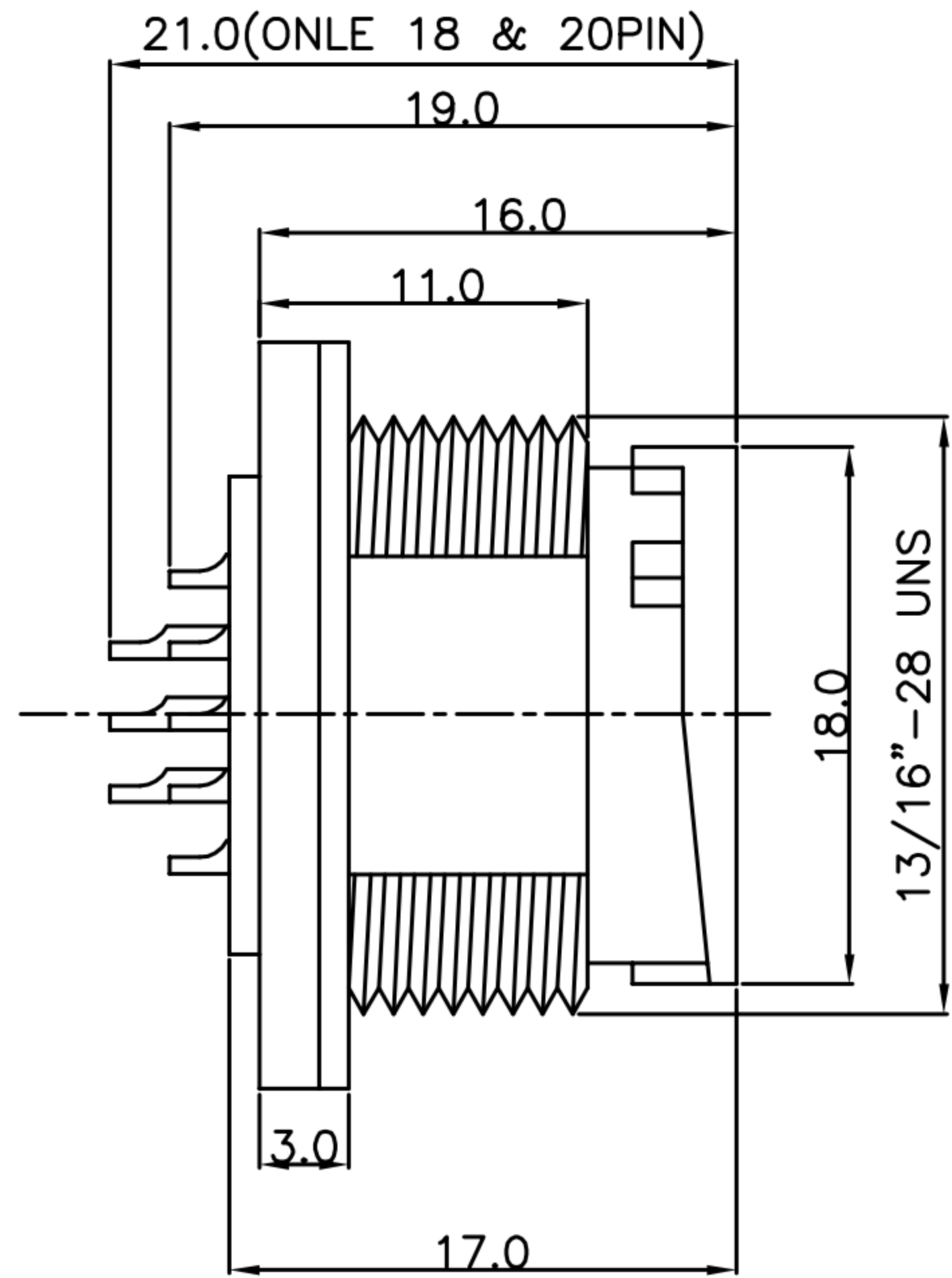


CUSTOMER DRAWING

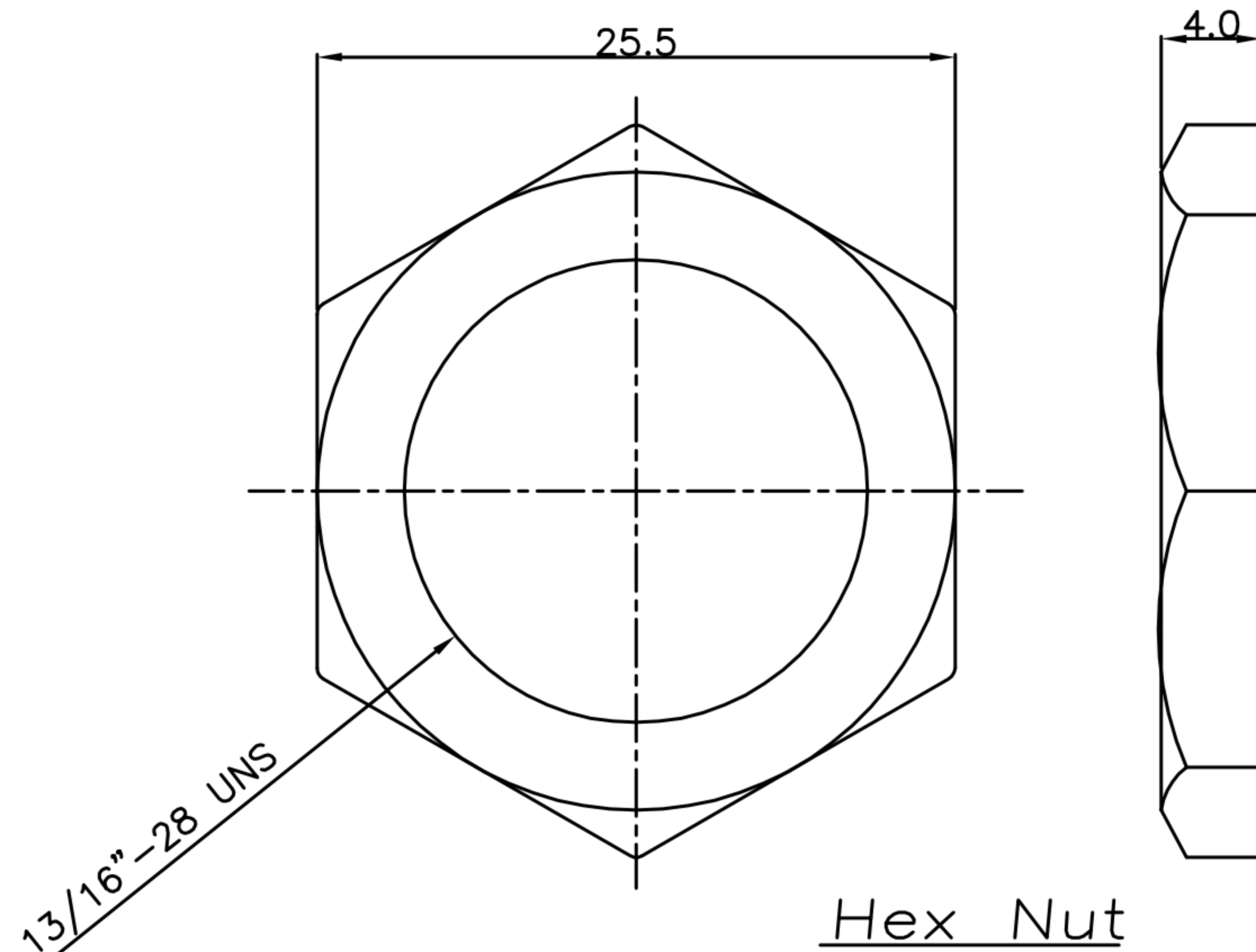
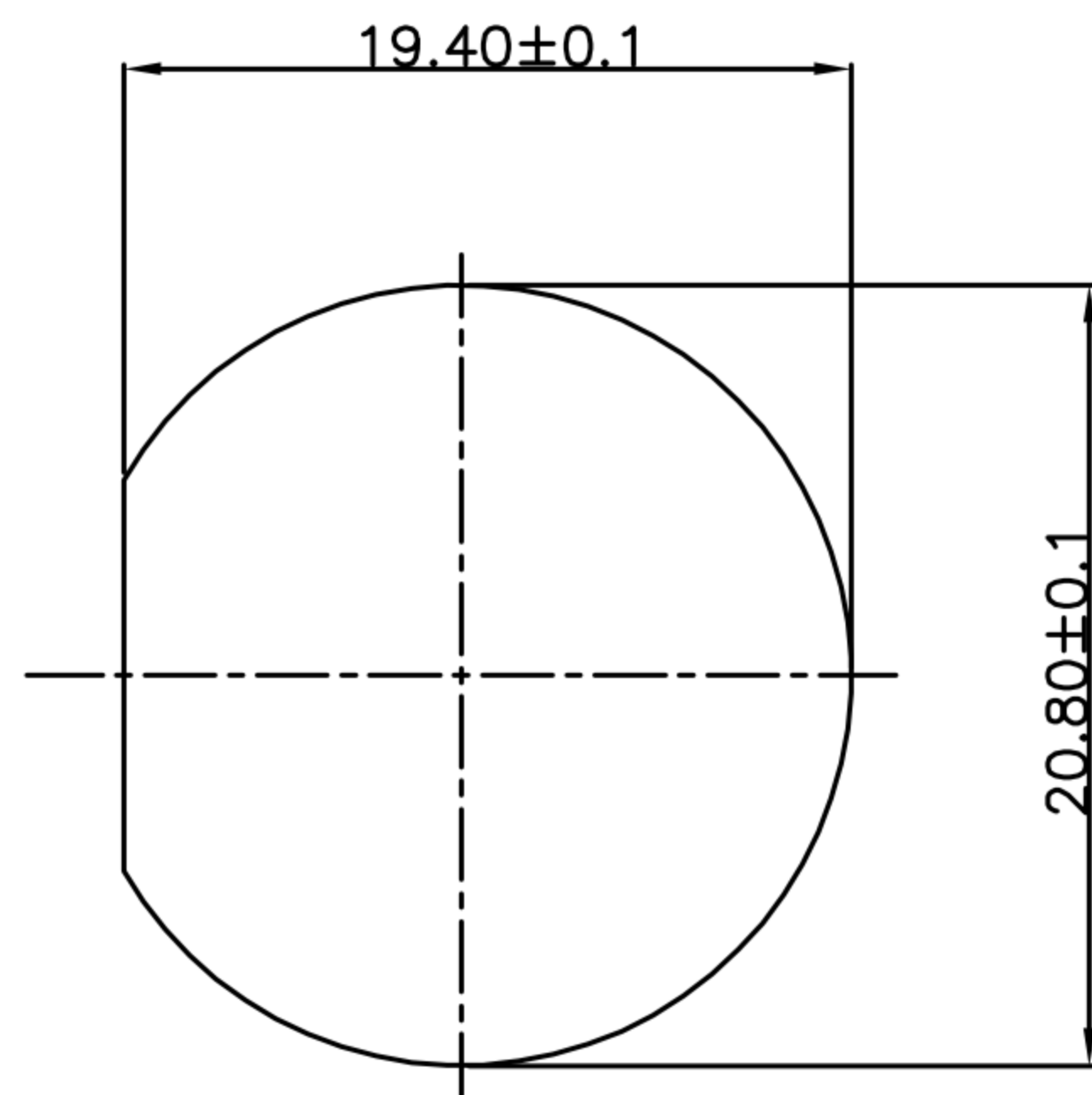
REV.	DESCRIPTION	APPROVED BY	DATE	ECN NO.
A	RELEASE	Ku Chou	31/07/18'	
B				
C				

TABLE A



WP-18M2-20-11	6u" GOLD PLATED/金6u"
WP-20M1-01-11	GOLD FLASH PLATED/表金
WP-18M2-16-11	GOLD FLASH PLATED/表金
WP-10M2-15-11	GOLD FLASH PLATED/表金
P/N	FINISH

- MATERIAL :
 - 1-1. HOUSING : PA66
 - 1-2. CONTACT : BRASS
 - 1-3. GASKET : SILICONE
 - 1-4. HEX NUT : PA66
- FINISH :
 - 2-1. CONTACT : SEE TABLE A
- ELECTRICAL SPECIFICATION :
 - 3-1. Rated current : 2A
 - 3-2. Rated Voltage : 250V
 - 3-3. Water proof : IP67
- Environmental :
 - 4-1. Operation Temperature : -40℃~105℃



RECOMMEND PANEL CUT-OUT

DRAWN	Emily Suen	APP'D	Ku Chou	UNIT	mm	TOLERANCE			TITLE	WP C Size(M) Front Lock Solder Type(Lock Bayonet)			SHEET
CHK'D	Ku Chou			SCALE	1:1				PART NO.	SEE TABLE A	DWG NO.	QC8563	VERSION