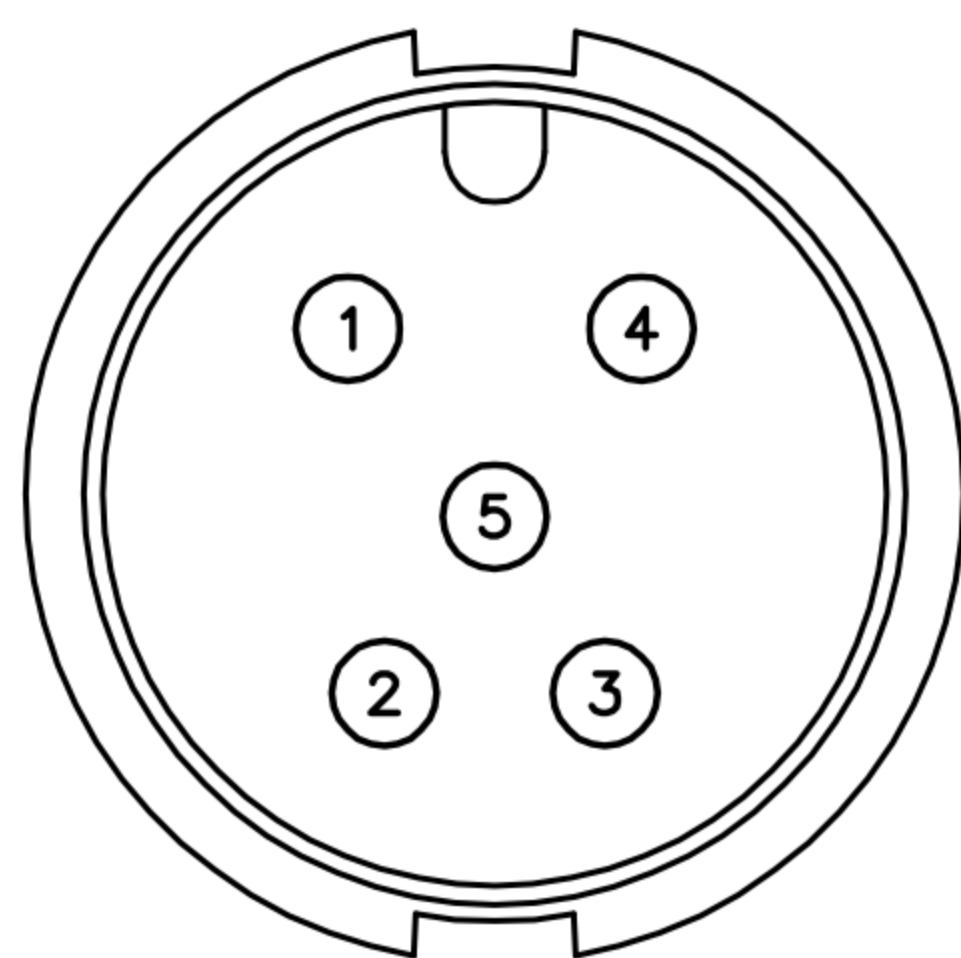


CUSTOMER DRAWING

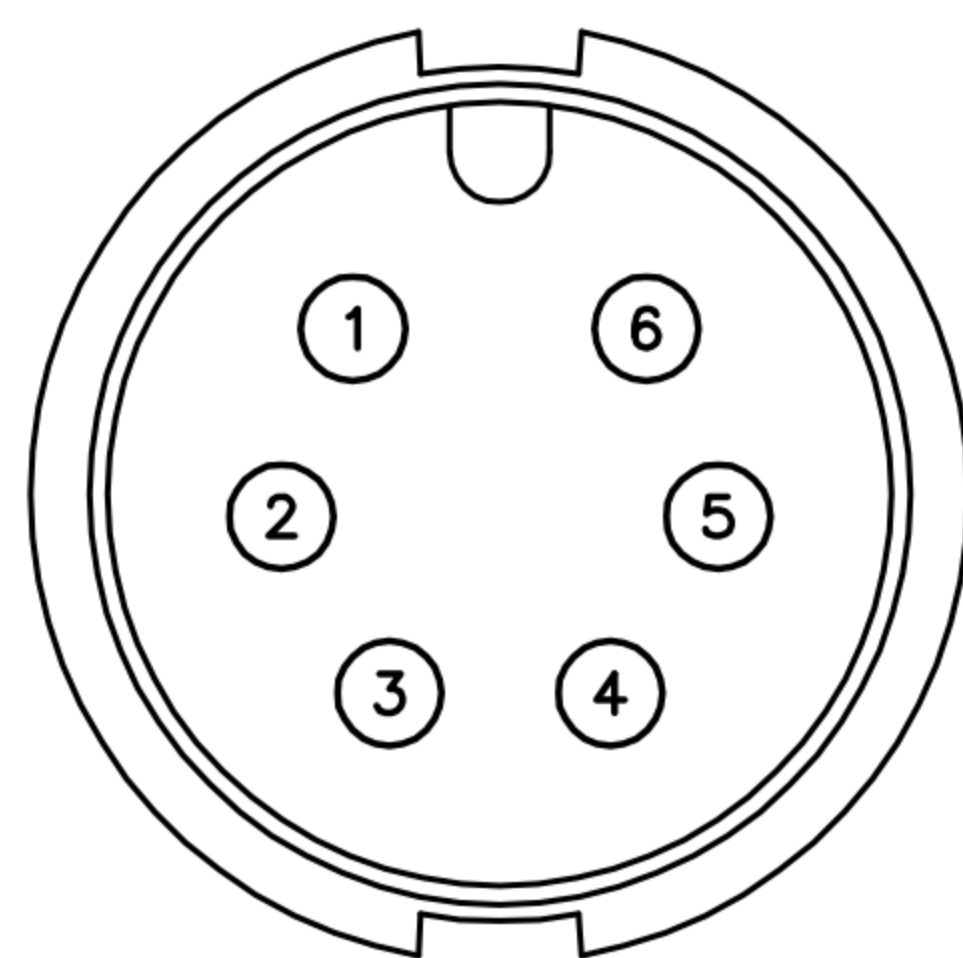
REV.	DESCRIPTION	APPROVED BY	DATE	ECN NO.
△A	RELEASE	KU Chou	02/05/18*	
△B	ADD PART NO.	Emily Suen	09/07/18*	
△C				

TABLE A



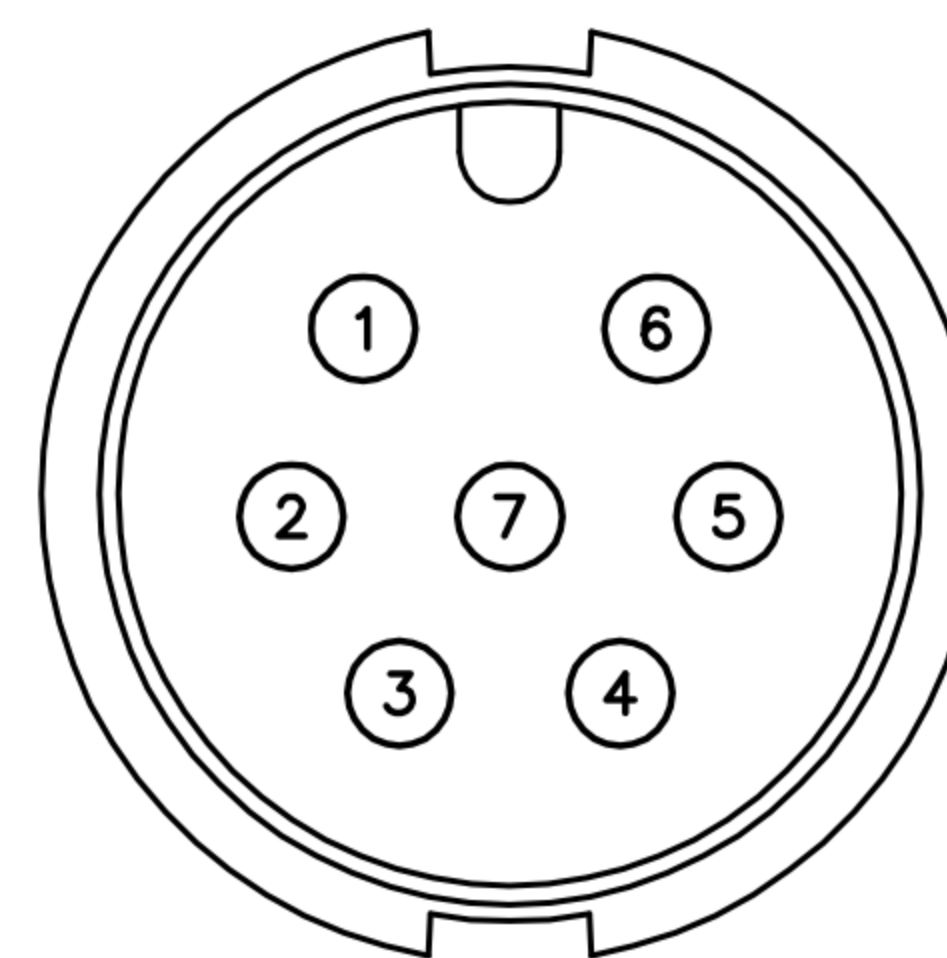
5P

△B WP-05M2-126-11



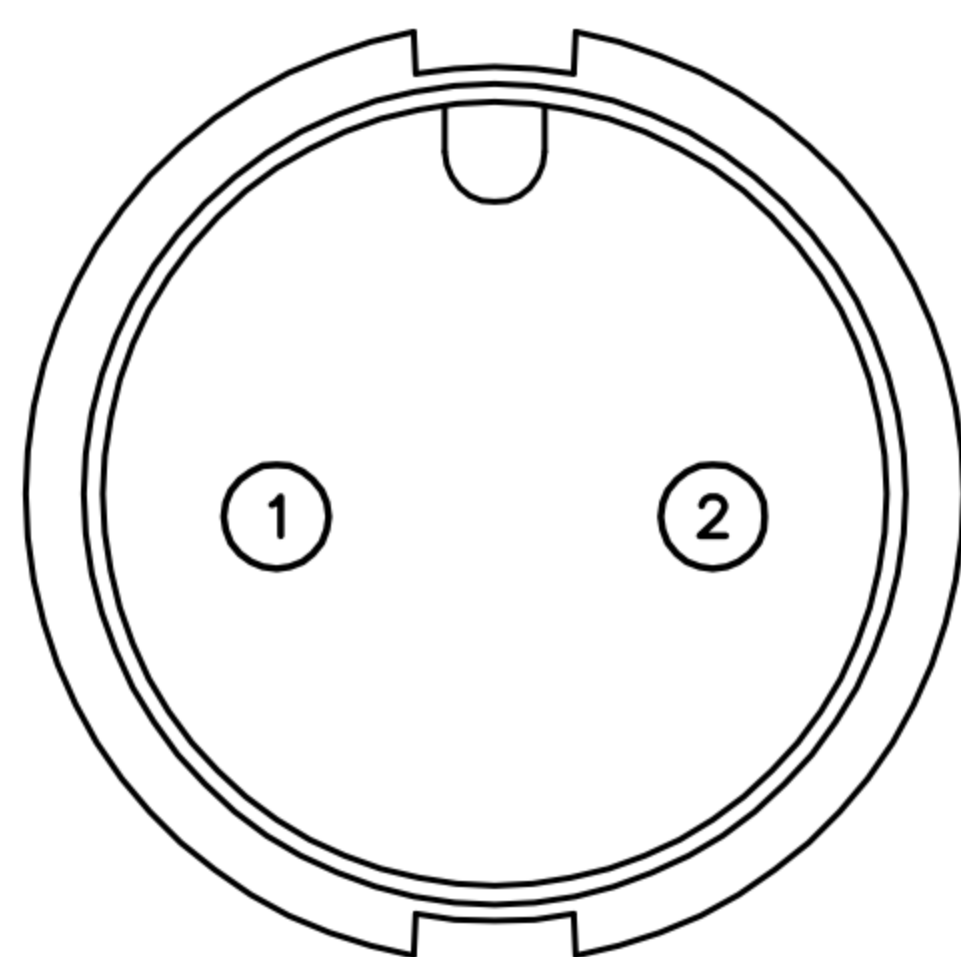
6P

WP-06M2-74-11

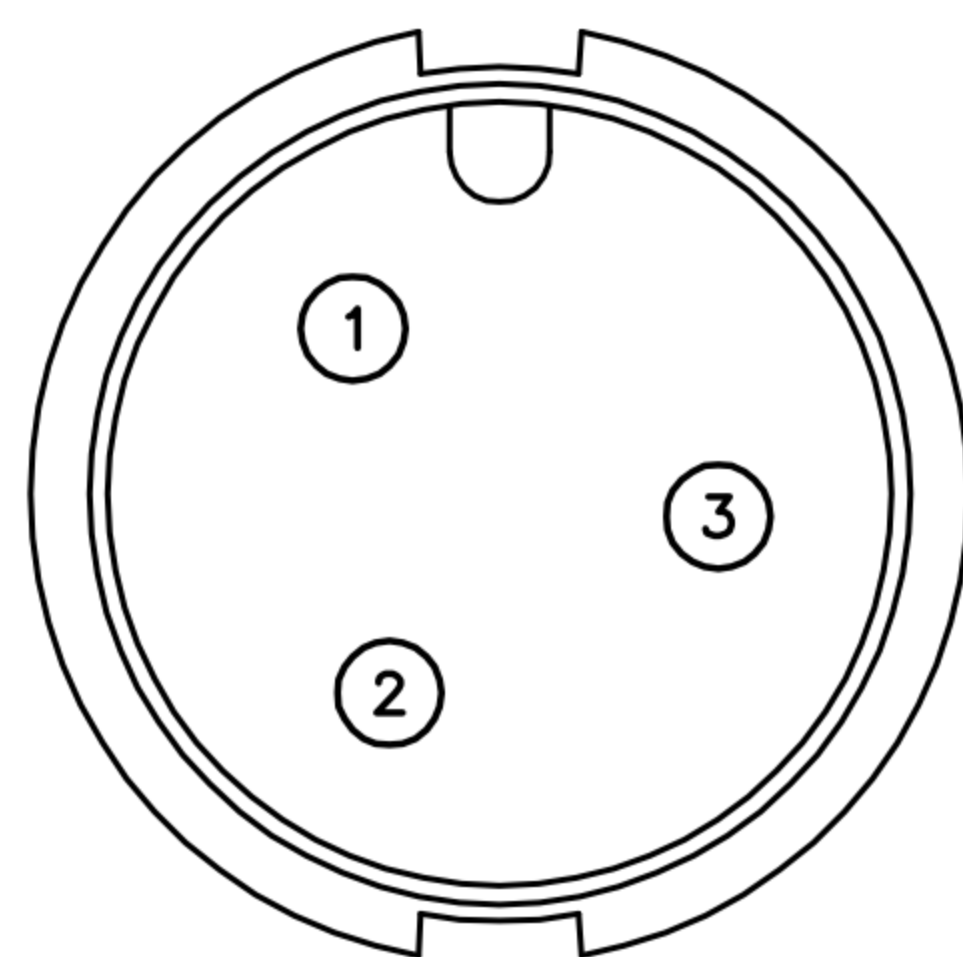


7P

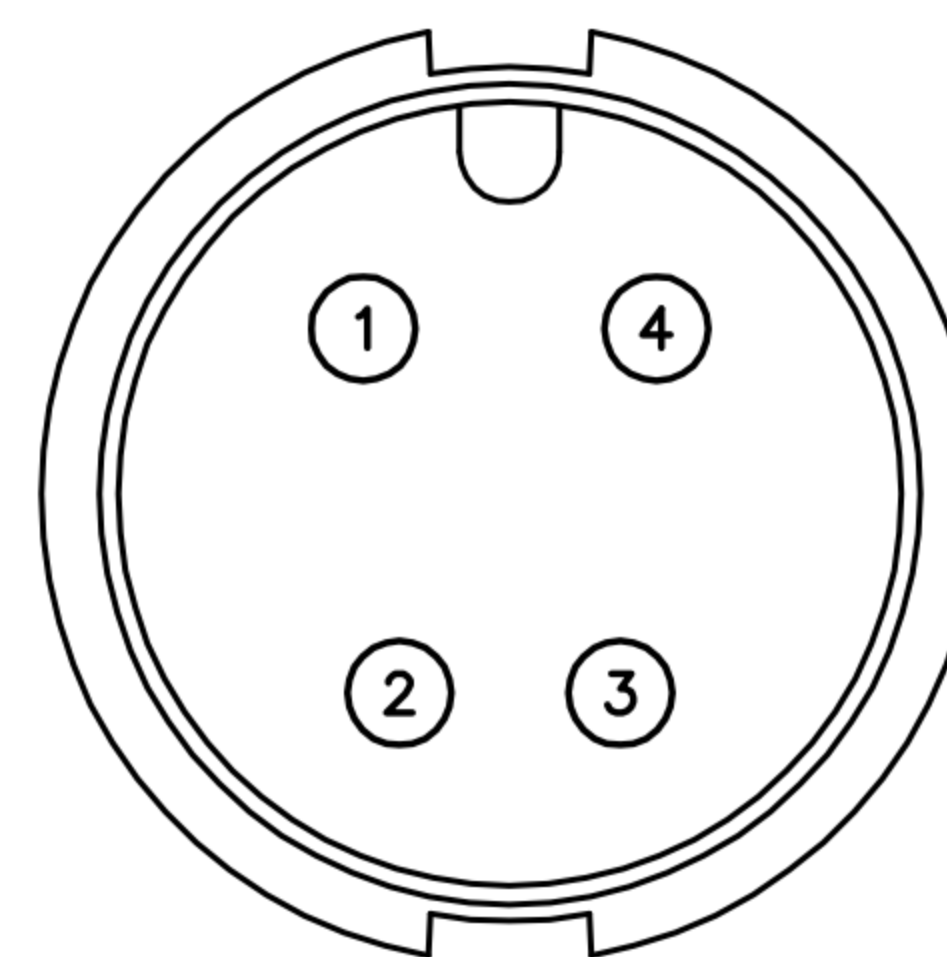
WP-07M2-10-11



2P



3P

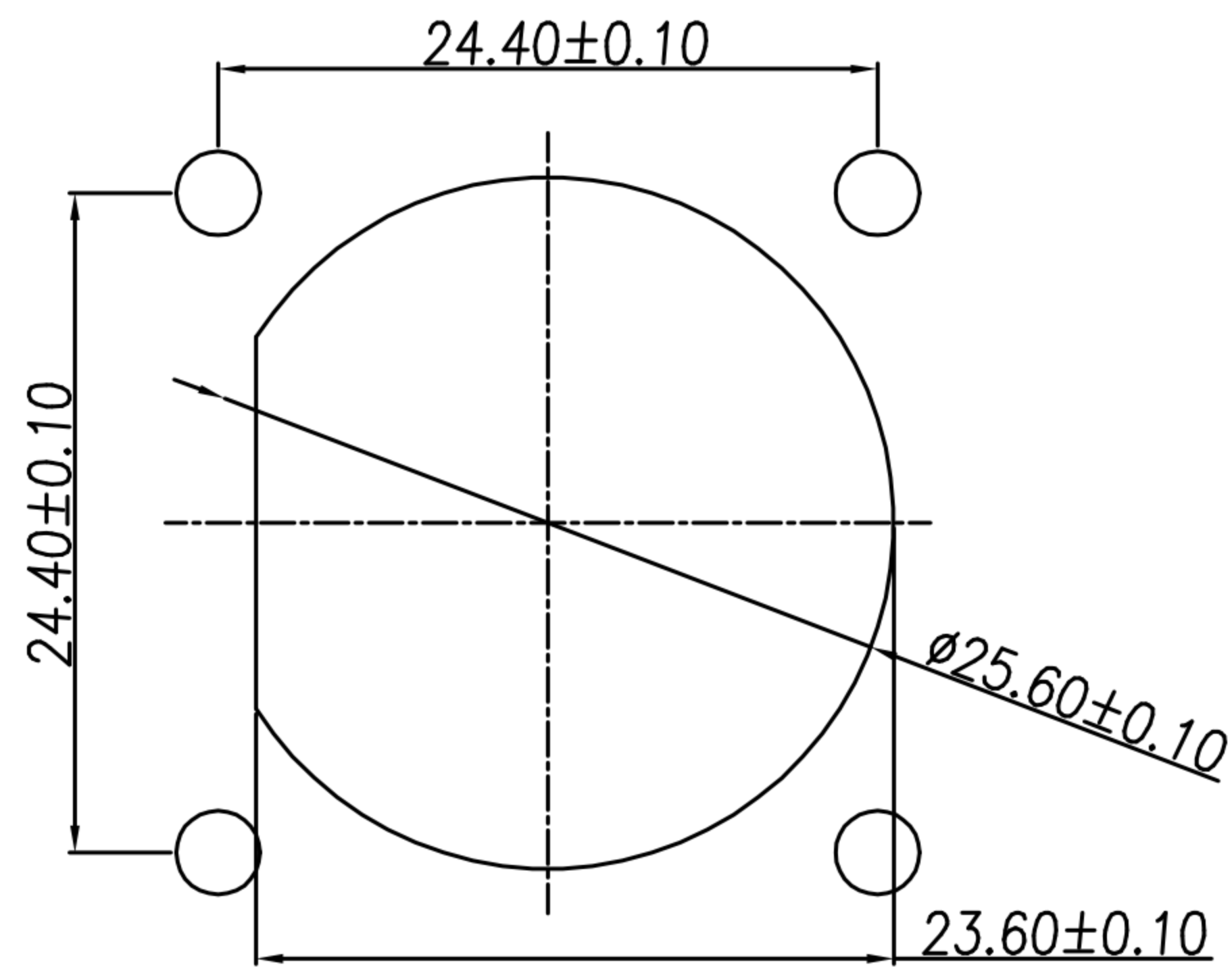
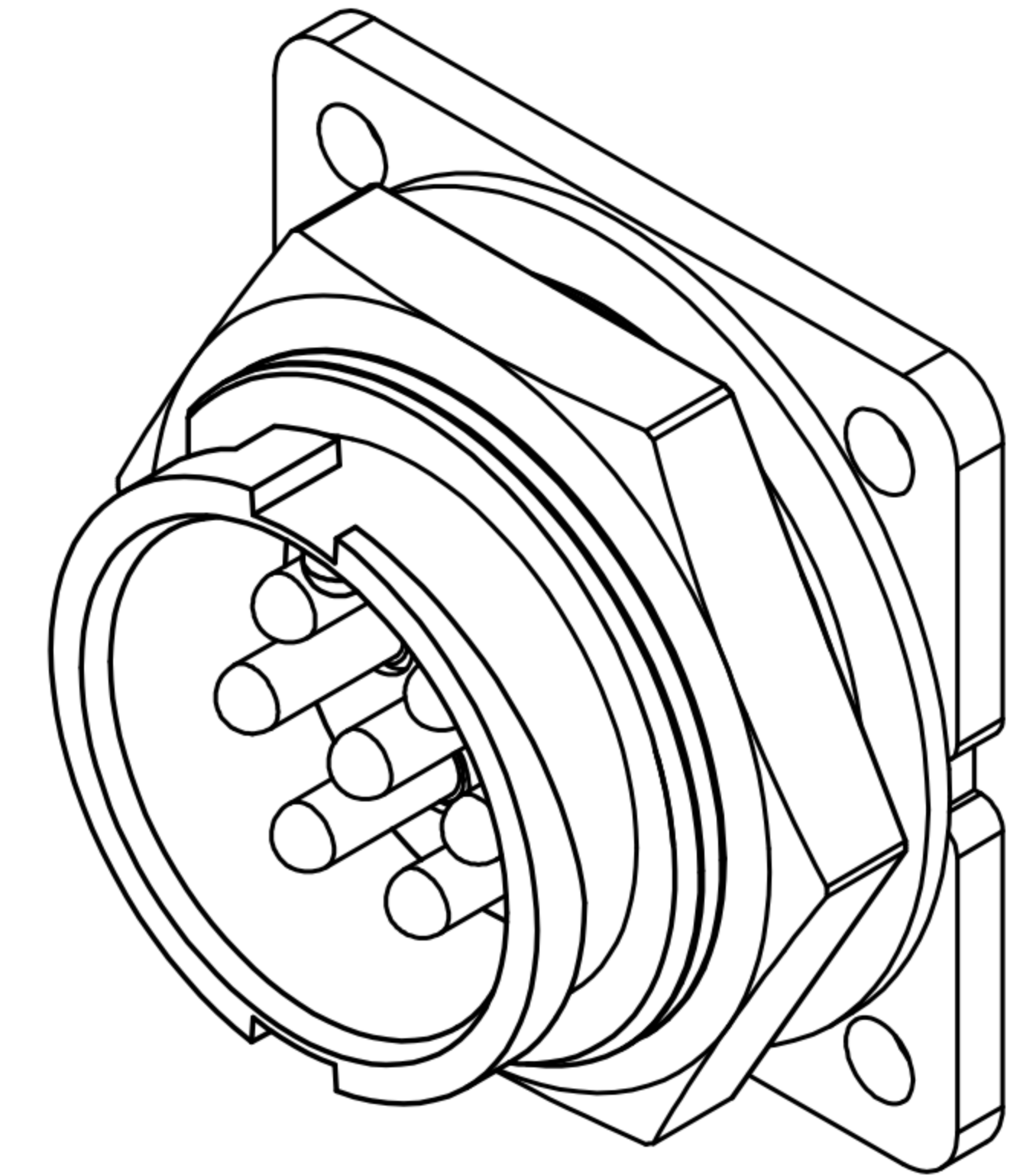
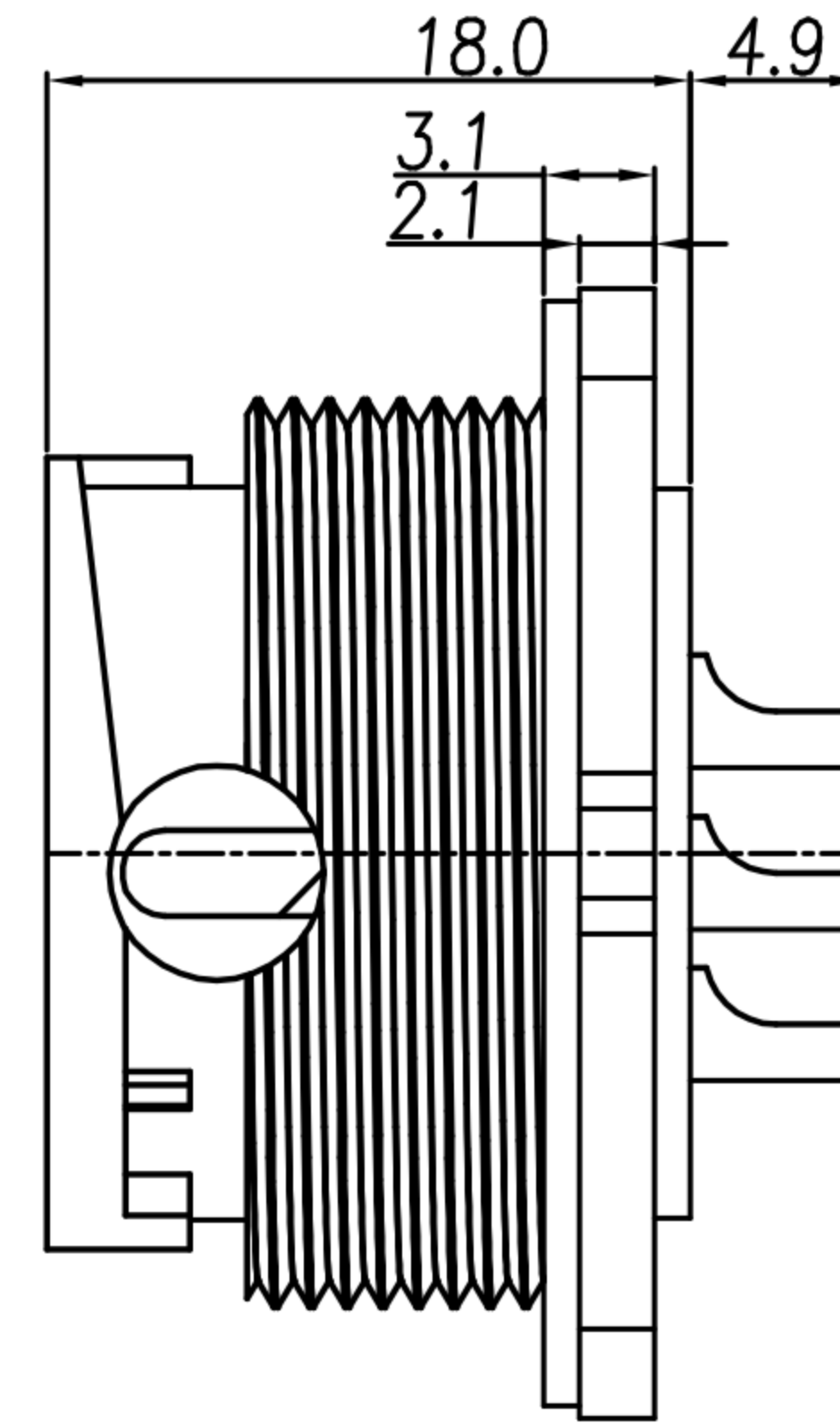
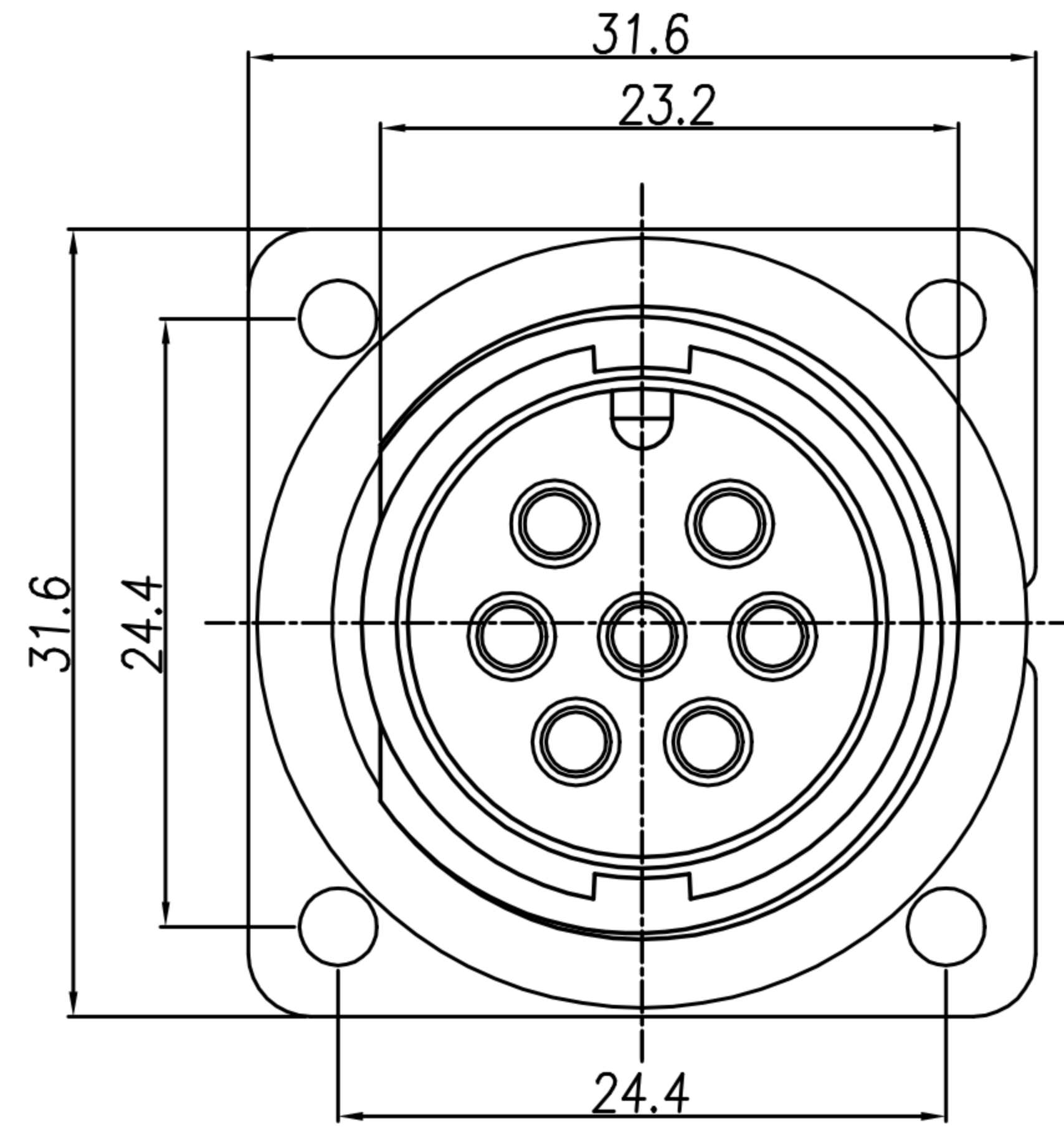


4

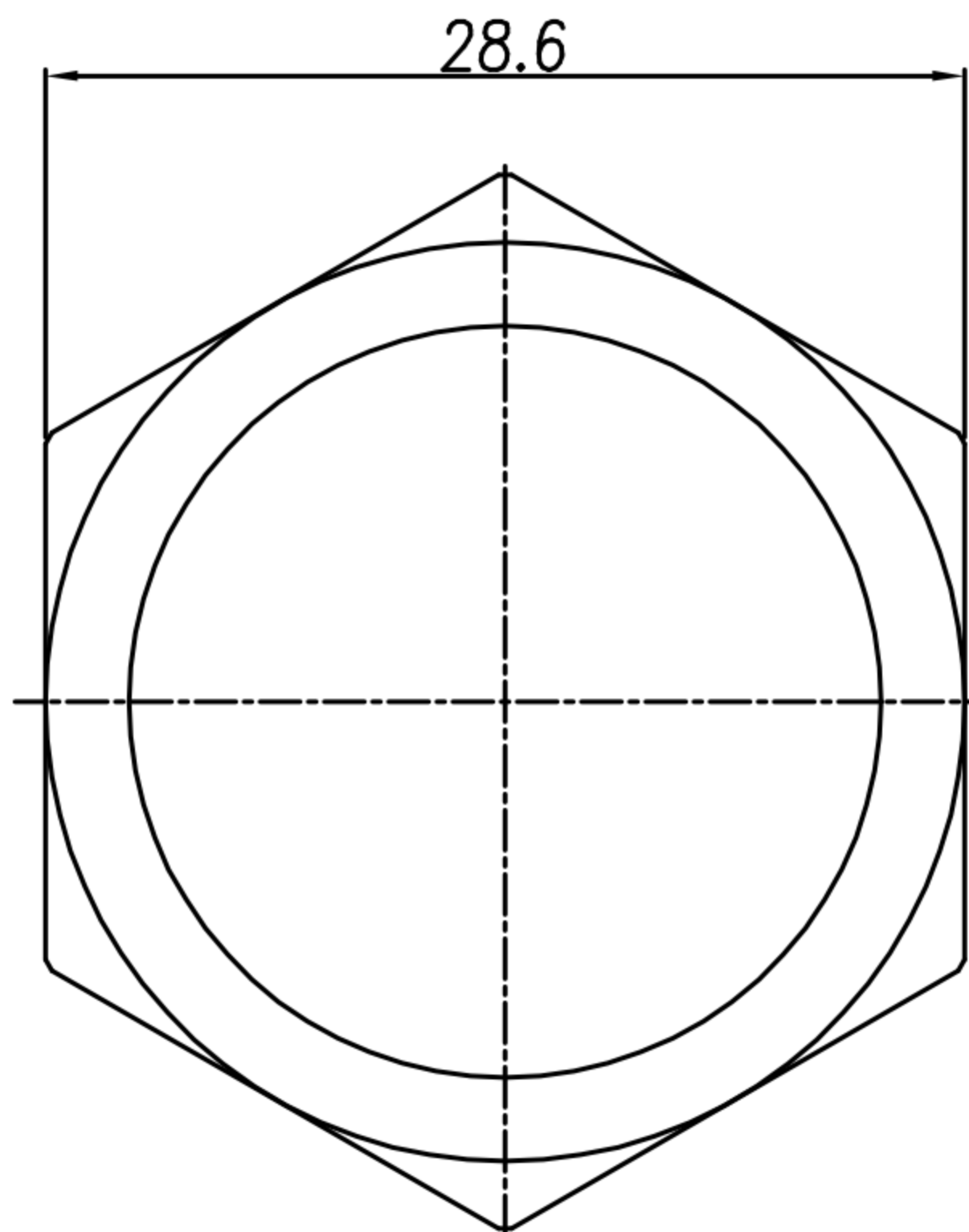
DRAWN	Yeh Chou	APP'D	KU Chou	UNIT	mm	TOLERANCE		广东科斯达电子科技有限公司 GUANG DONG KE SI DA ELECTRONIC TECHNOLOGY CO., LTD.	TITLE	D SIZE (M) 快鎖杯口焊線式 (方型槽板)-20A			SHEET	2/2
CHK'D	KU Chou			SCALE	1:1	.x ±0.20 .xx ±0.10 .xxx ±0.05 .xxxx ±0.03 ANGULA ±1°			PART NO.	SEE TABLE A	DWG NO.	QC8388	VERSION	B

# CUSTOMER DRAWING

REV.	DESCRIPTION	APPROVED BY	DATE	ECN NO.
A	RELEASE	Ku Chou	02/05/18'	
B				
C				



RECOMMEND PANEL HOLE



Hex Nut



- MATERIAL :
  - 1-1. HOUSING : PA66
  - 1-2. CONTACT : BRASS
  - 1-3. GASKET : SILICONE
  - 1-4. HEX NUT : PA66
- FINISH :
  - 2-1. CONTACT : GOLD FLASH PLATED
- ELECTRICAL SPECIFICATION :
  - 3-1. Rated current : 20A
  - 3-2. Rated Voltage : 300V
- Environmental :
  - 4-1. Operation Temperature : -40℃~105℃

DRAWN	Yeh Chou	APP'D	KU Chou	UNIT	mm	TOLERANCE	广东科斯达电子科技有限公司 GUANG DONG KE SI DA ELECTRONIC TECHNOLOGY CO., LTD.	TITLE	D SIZE (M) 快锁杯口焊锡式 (方型槽板)-20A			SHEET	1/2
CHK'D	KU Chou			SCALE	1:1	.x ±0.20 .xx ±0.10 .xxx ±0.05 .xxxx ±0.03 ANGULA ±1°		PART NO.	SEE TABLE A	DWG NO.	QC8388	VERSION	A