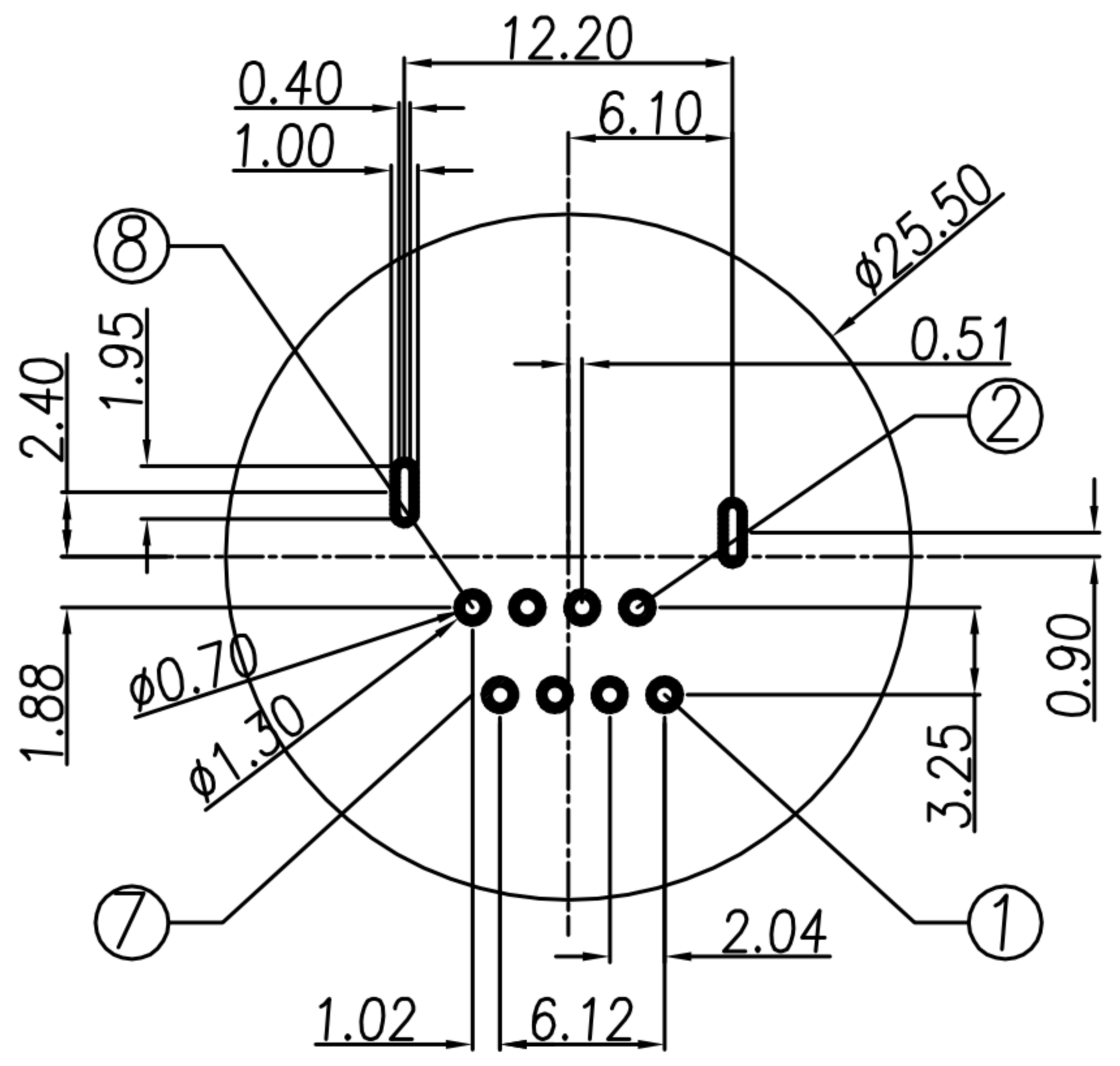
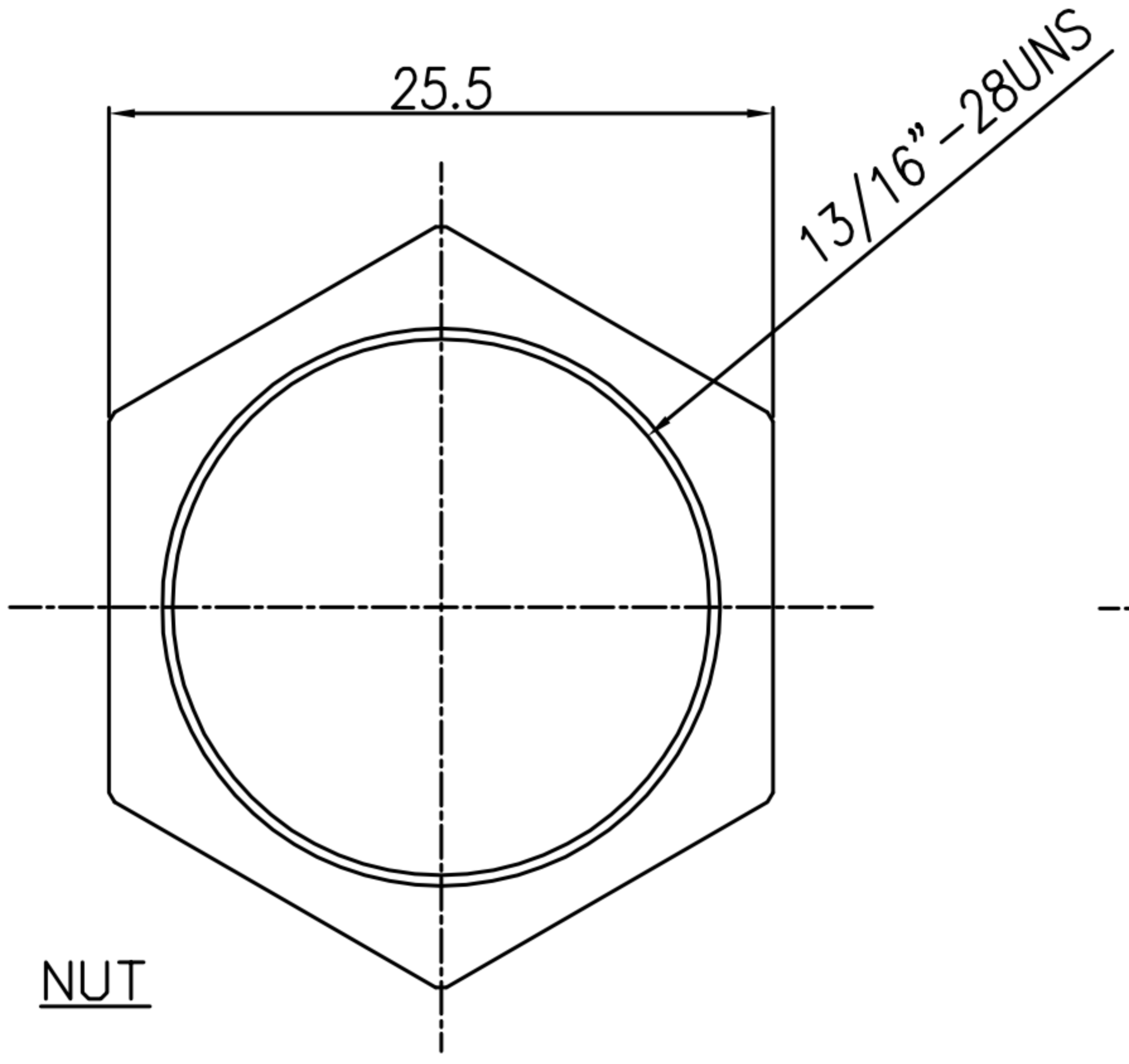
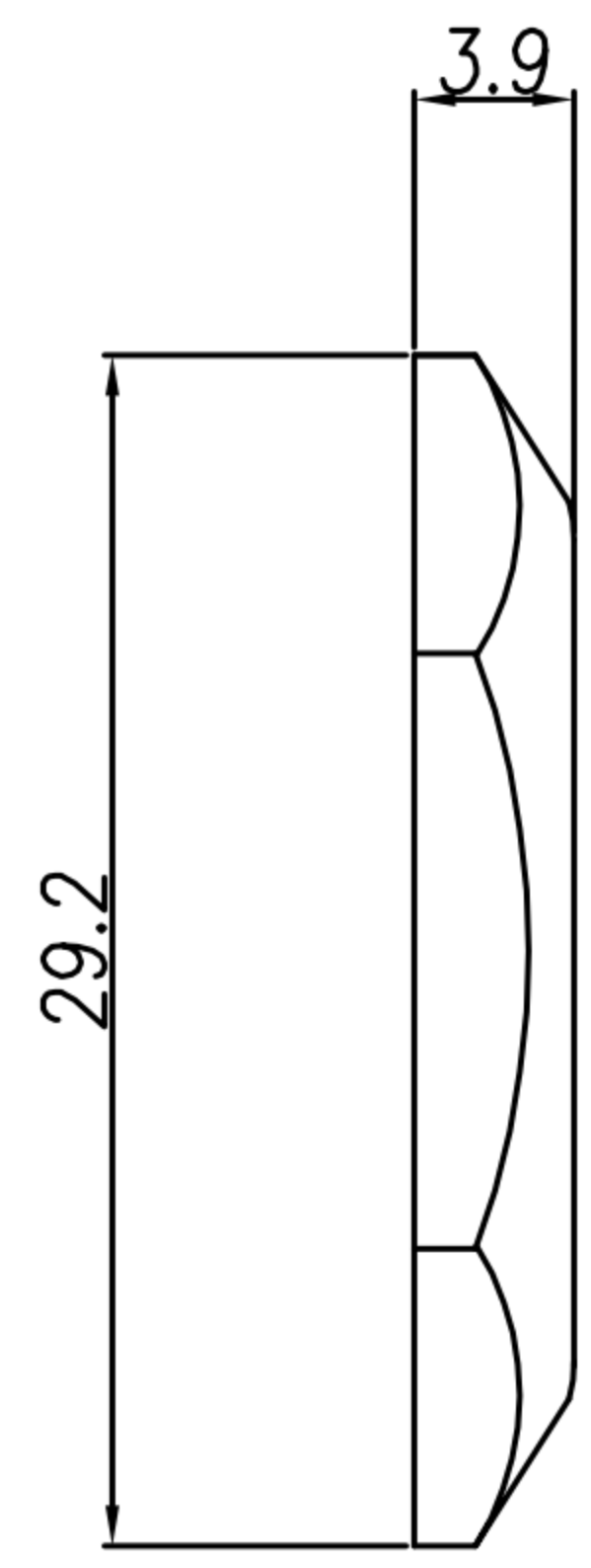
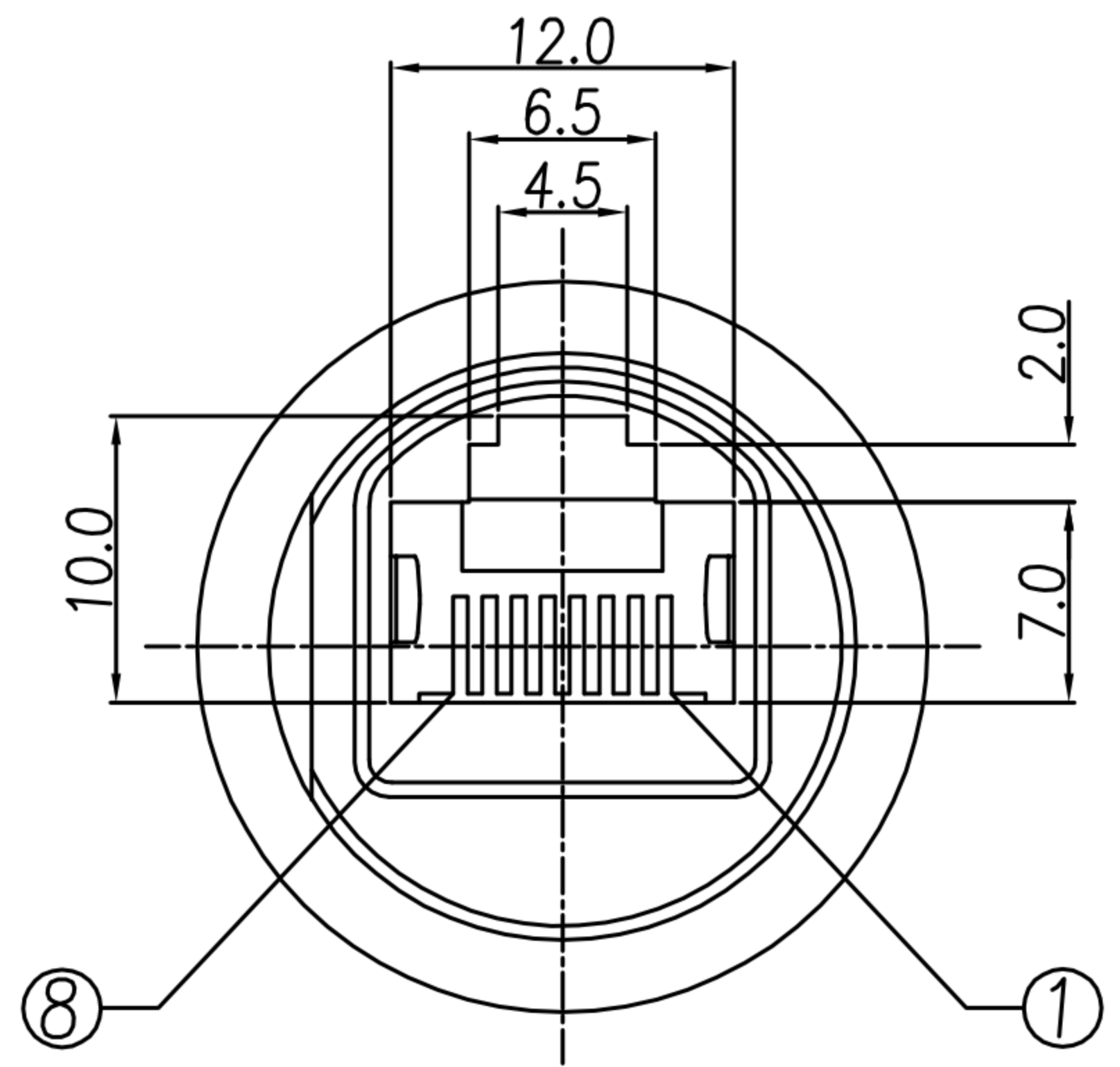
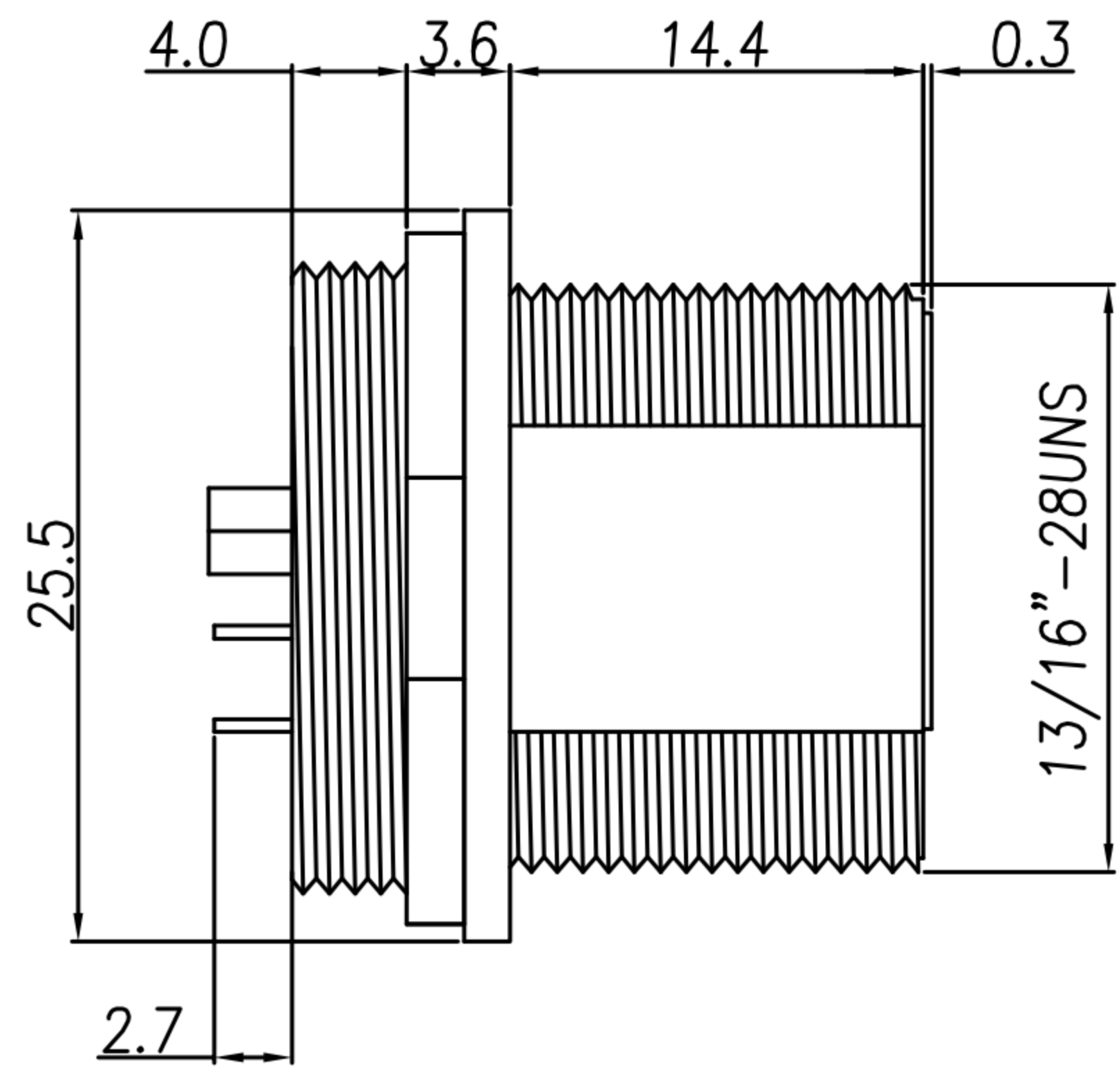


CUSTOMER DRAWING

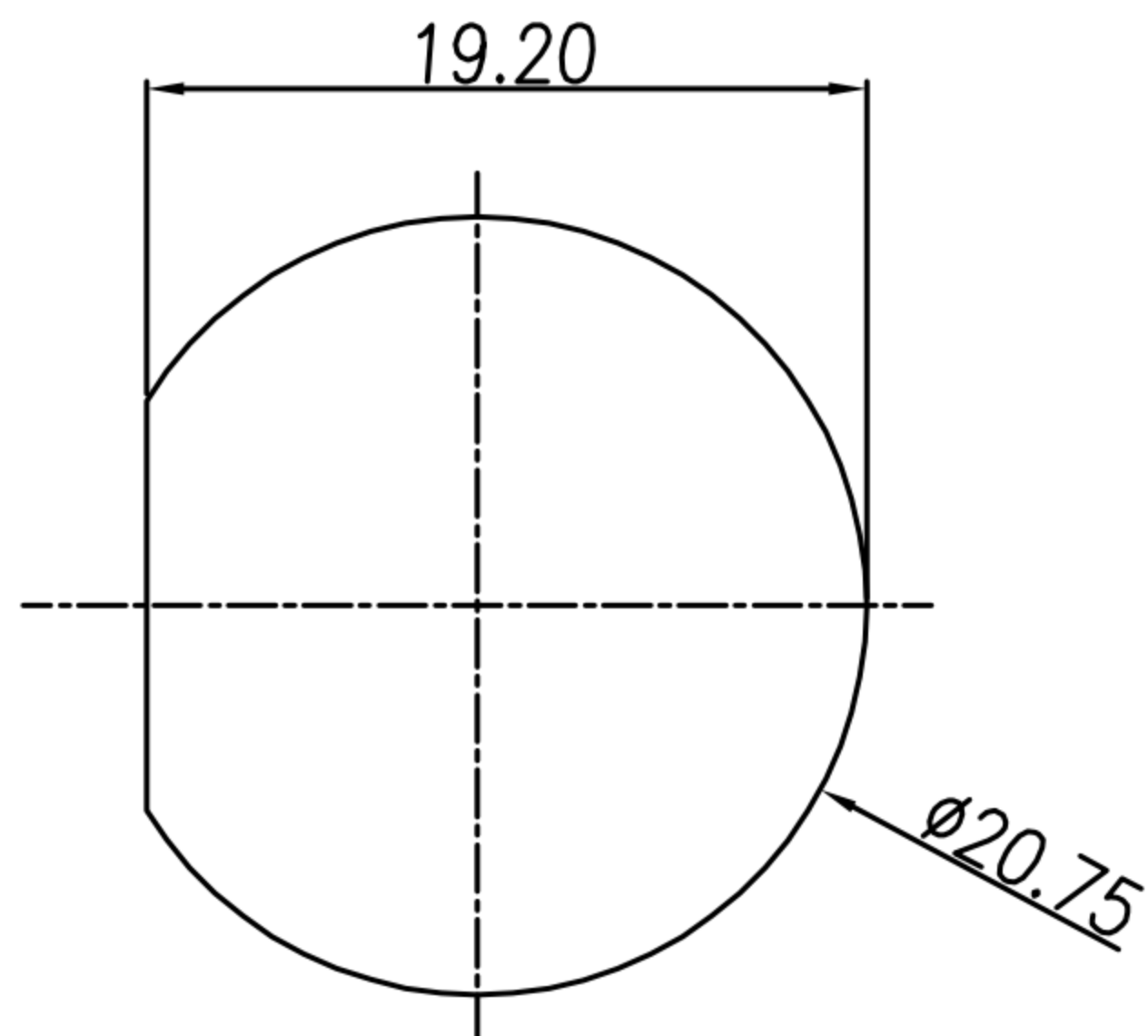
REV.	DESCRIPTION	APPVL. BY	DATE	ECN NO.
△A	RELEASE	Fido Weng	12/01/12'	
△B	接地脚增加鍍鍊	Fido Weng	23/02/16'	
△C	修正油封材質	Yeh Chou	15/05/19'	



P.C.B LAYOUT (Top view)



NUT



PANEL CUT-OUT

- MATERIAL :
 - 1-1. HOUSING : PBT UL94V-0 ; COLOR : BLACK.
 - 1-2. CONTACT : PHOSPHOR BRONZE
 - 1-3. SHELL : ZINC ALLOY
 - 1-4. GROUND : SUS 301
 - △C 1-5. O-RING : SILICONE ; COLOR : BLACK.
 - 1-6. NUT : BRASS
- FINISH :
 - 2-1. CONTACT : GOLD FLASH PLATED
 - 2-2. NUT : NICKEL PLTAED.
 - 2-3. SHELL : NICKEL PLTAED.
 - △B 2-4. GROUND : NICKEL PLTAED.
- ELECTRICAL SPECIFICATION :
 - 3-1. Rated current : 1.5A
 - 3-2. Rated voltage : 125V AC
 - 3-3. Water proof : IP67
- Environmental :
 - 4-1. Operation Temperature : -40℃~85℃

DRAW	Ku Chou	APPVL	Fido Weng	UNIT	mm	TOLERANCE		广东科斯达电子科技有限公司 GUANG DONG KE SI DA ELECTRONIC TECHNOLOGY CO., LTD.	TITLE	防水 RJ45 8PIN			SHEET	1
CHECK	Emily Suen			SCALE	1:1				PART NO.	RJ-08F2-01	DWG NO.	QC5599	VERSION	C