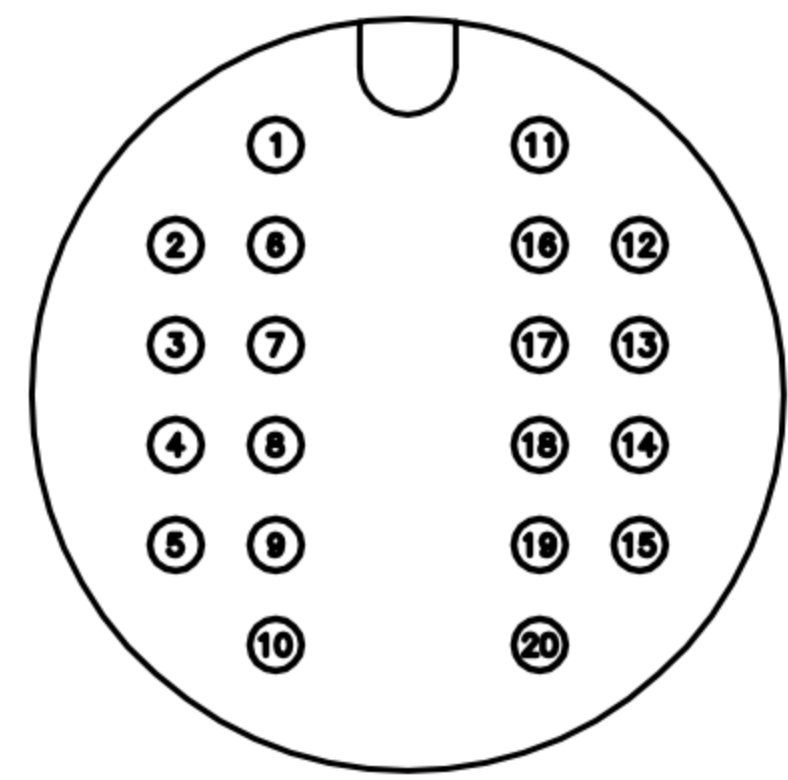


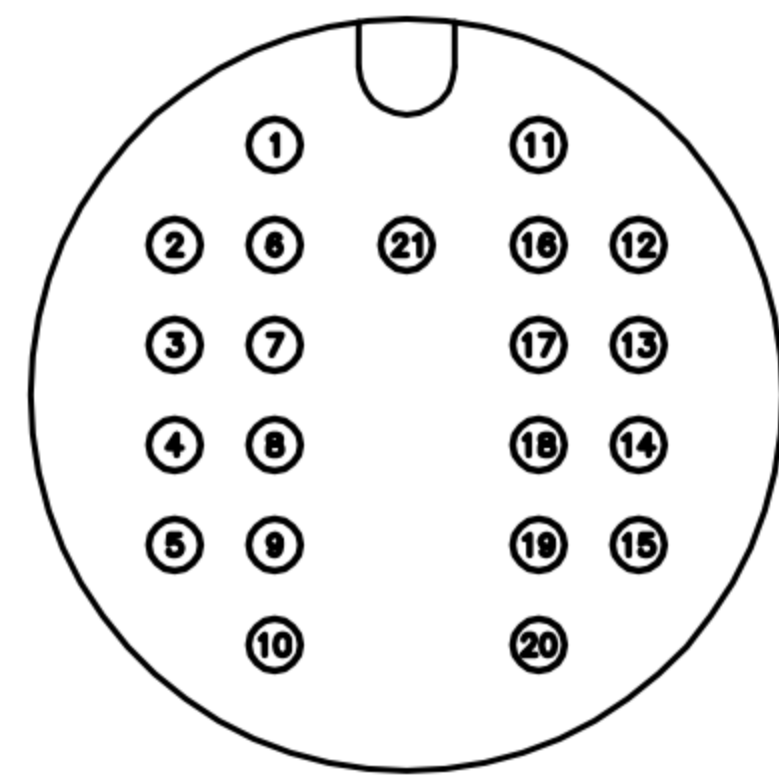
CUSTOMER DRAWING

| REV. | DESCRIPTION | APPROVED BY | DATE | ECN NO. |
|------|-------------|-------------|-----------|---------|
| A | RELEASE | Ku Chou | 11/03/20* | |
| B | | | | |
| C | | | | |

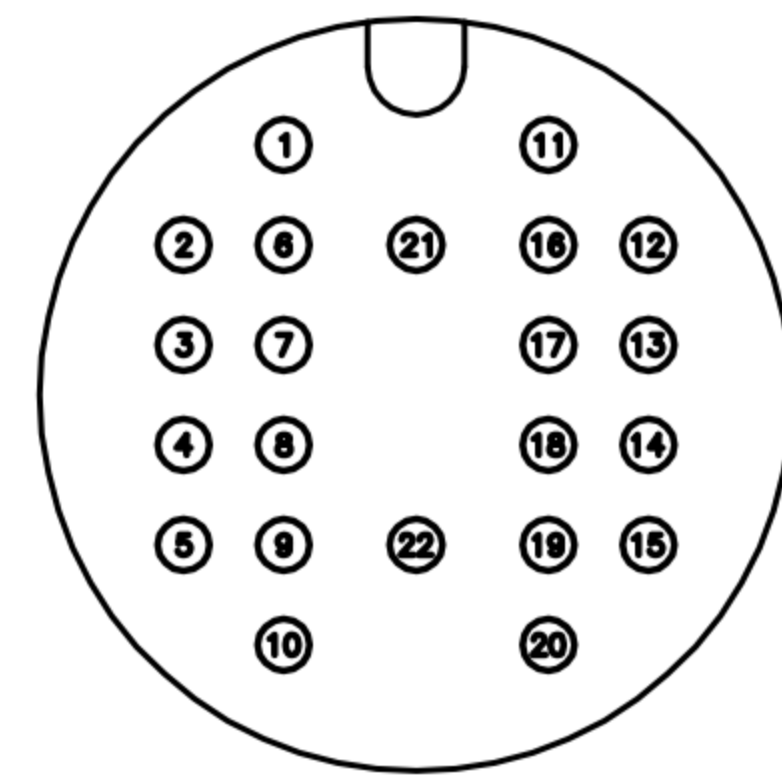
TABLE A



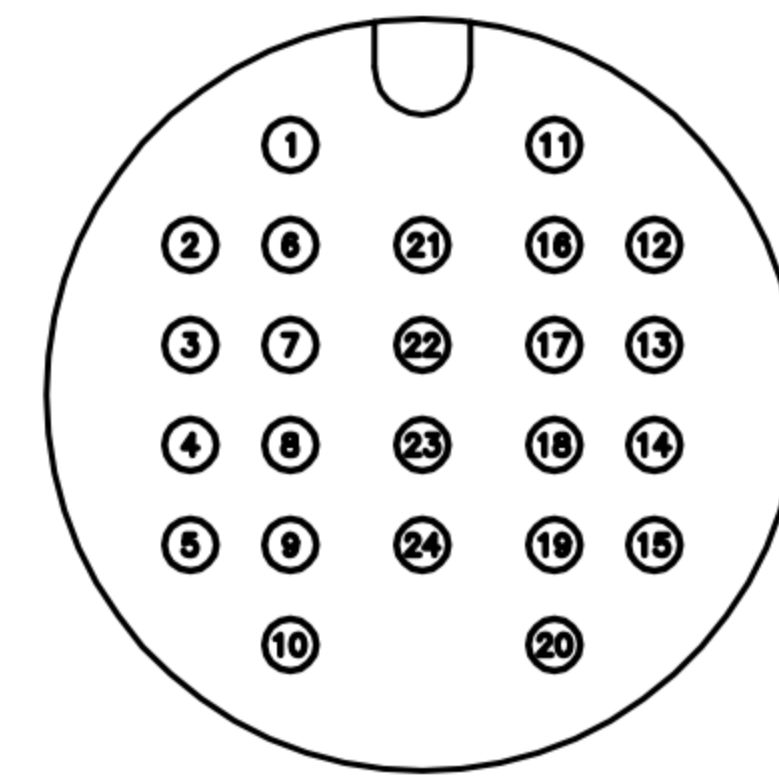
20P
WP-20M3-03-11



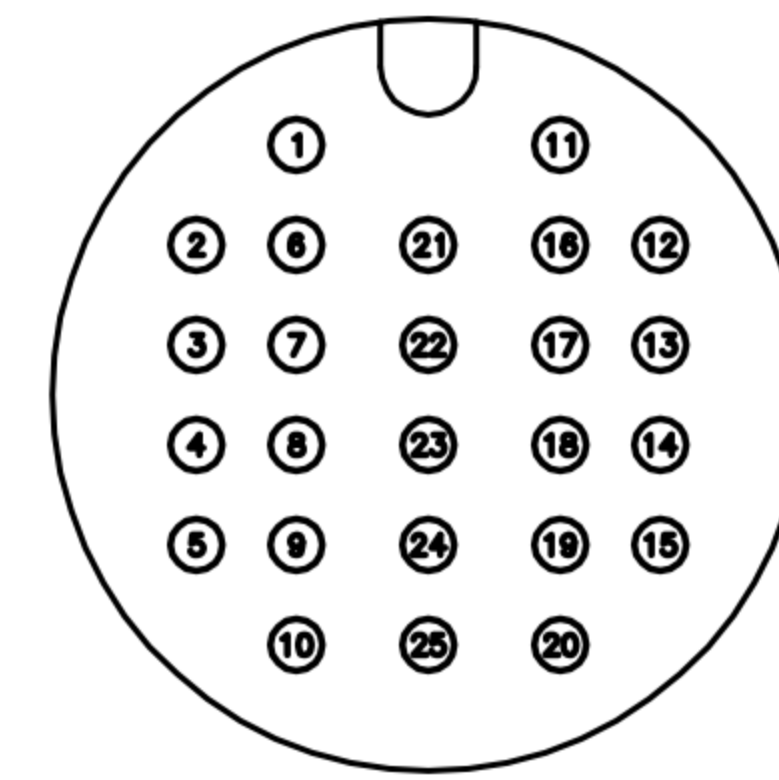
21P
WP-21M3-01-11



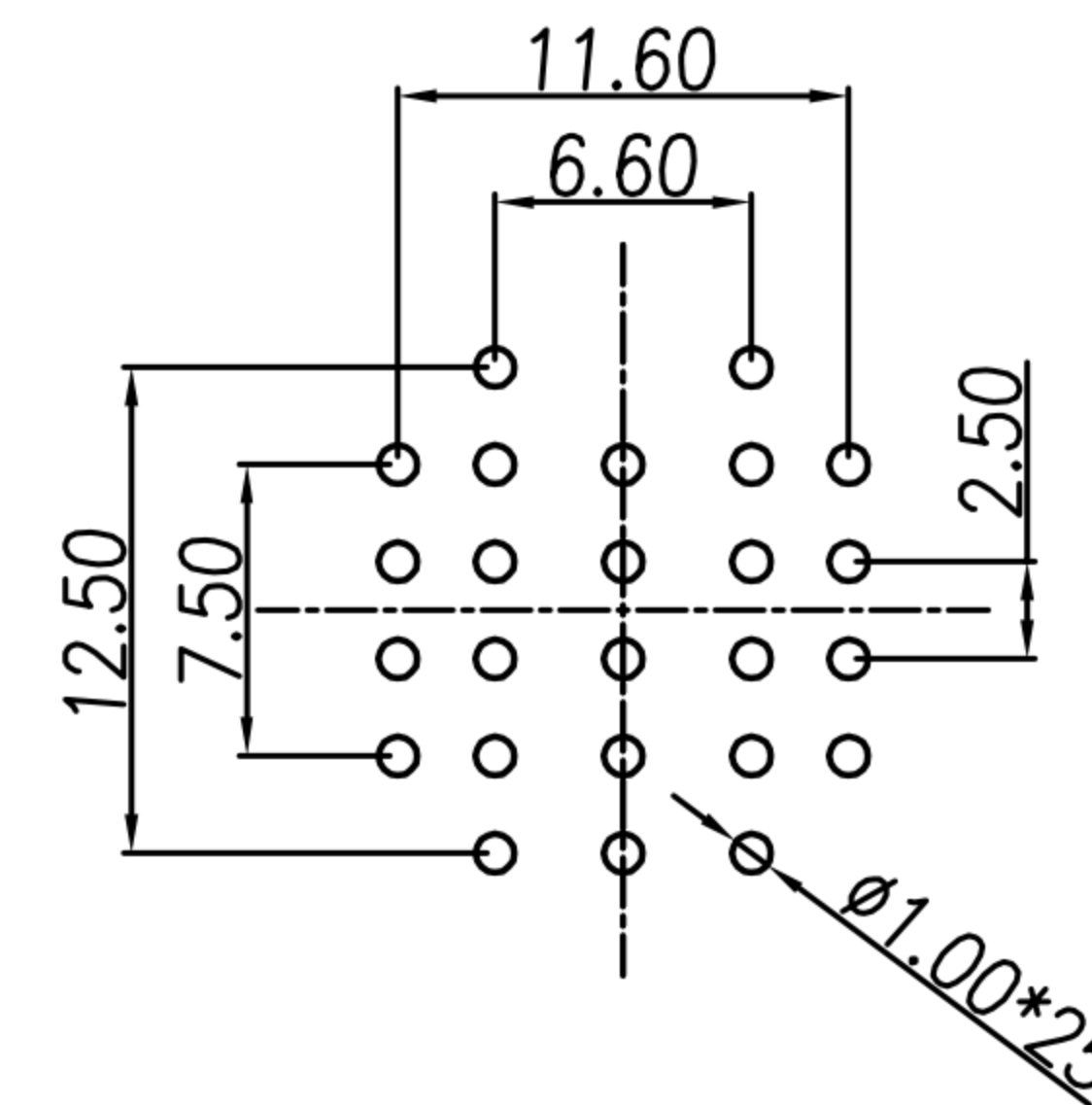
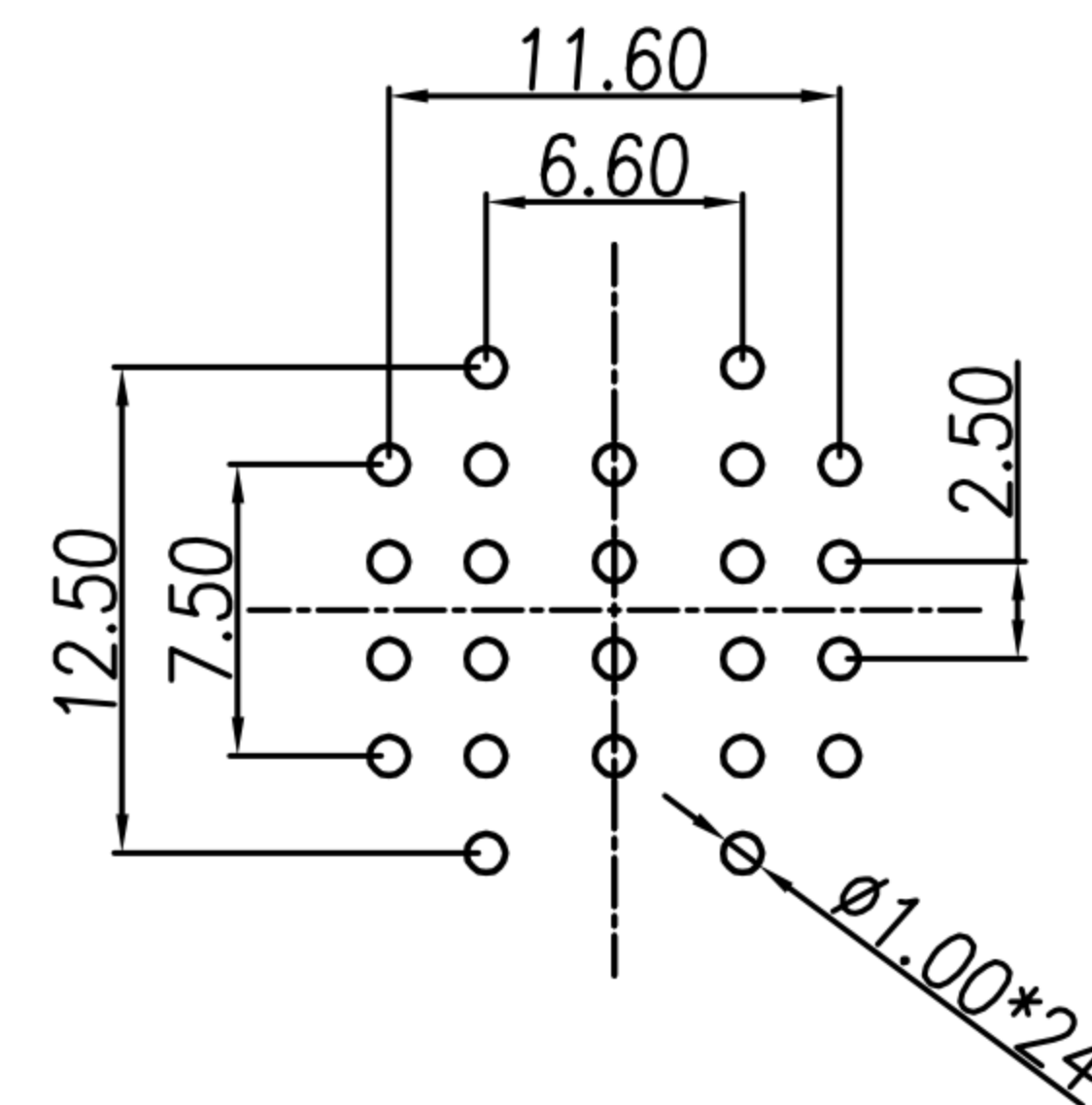
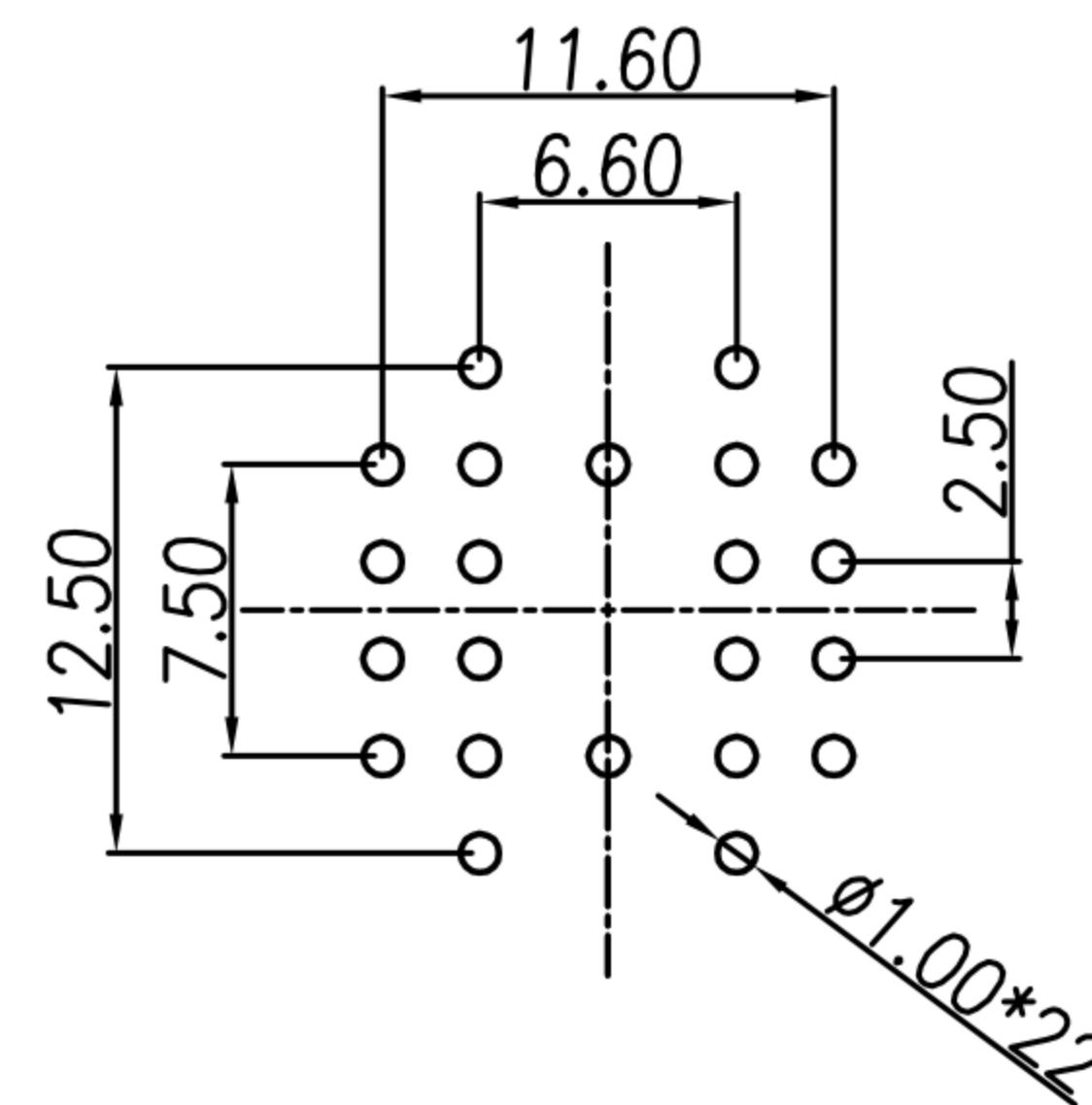
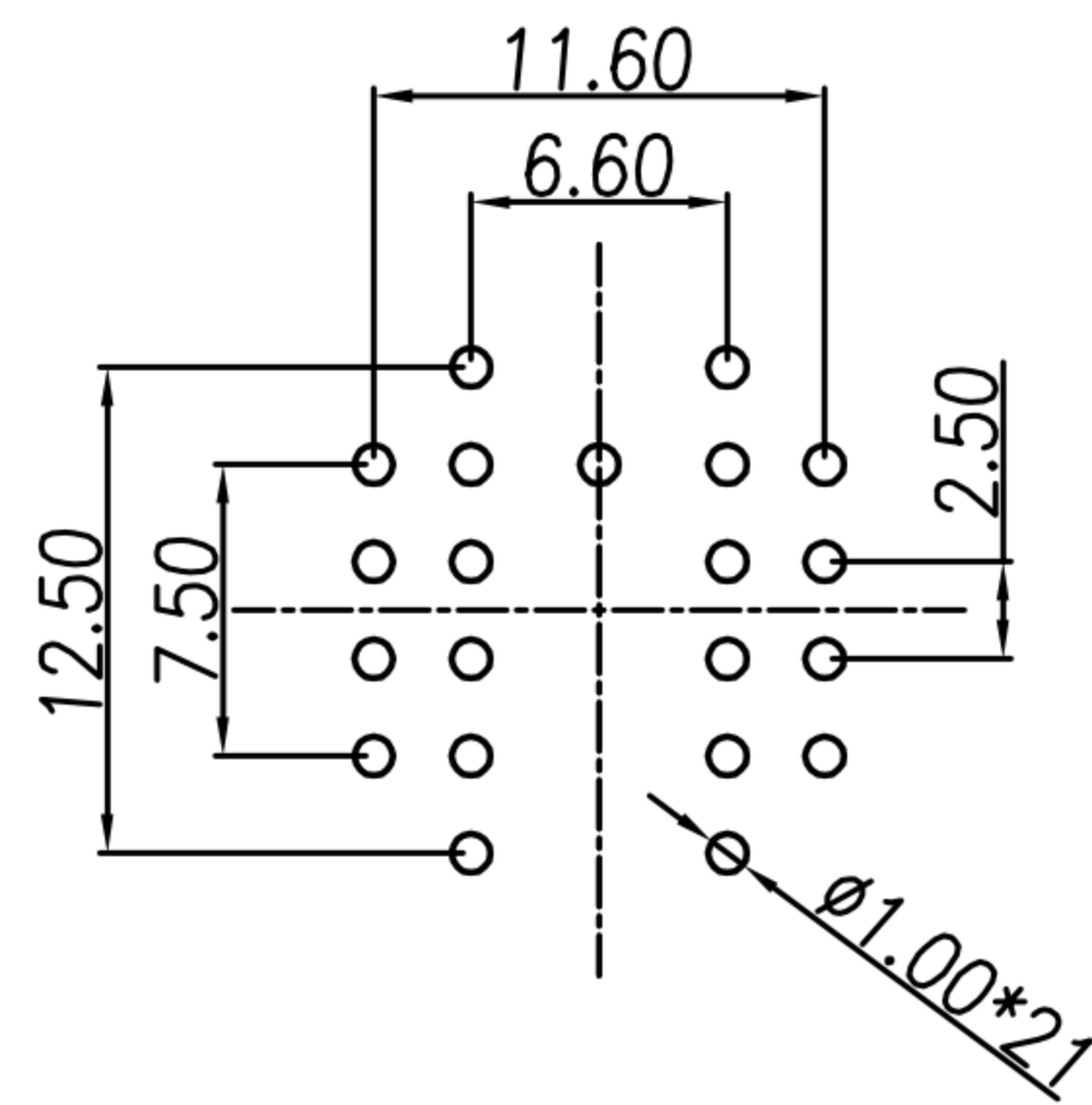
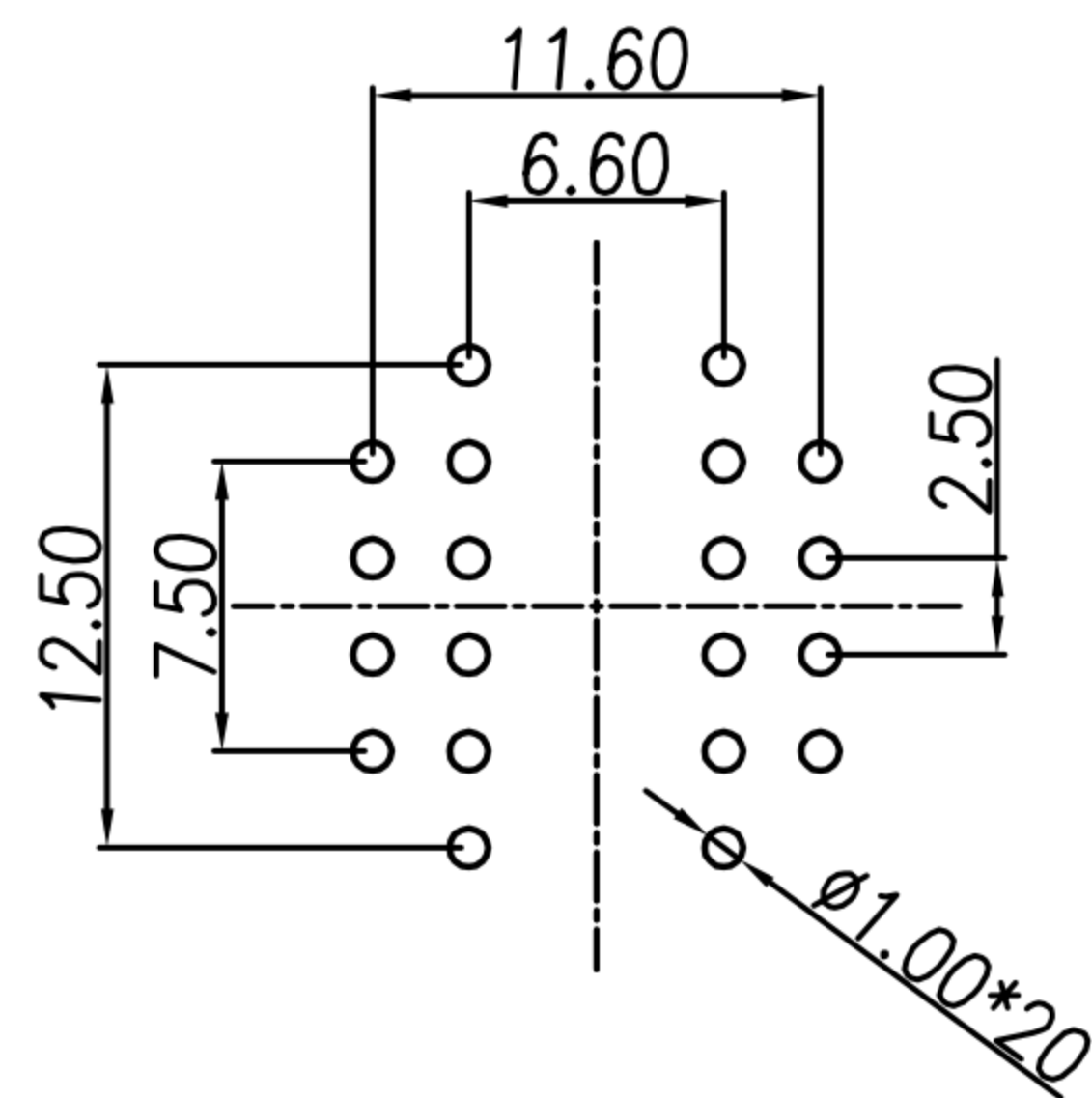
22P
WP-22M3-01-11



24P
WP-24M3-01-11



25P
WP-25M3-01-11

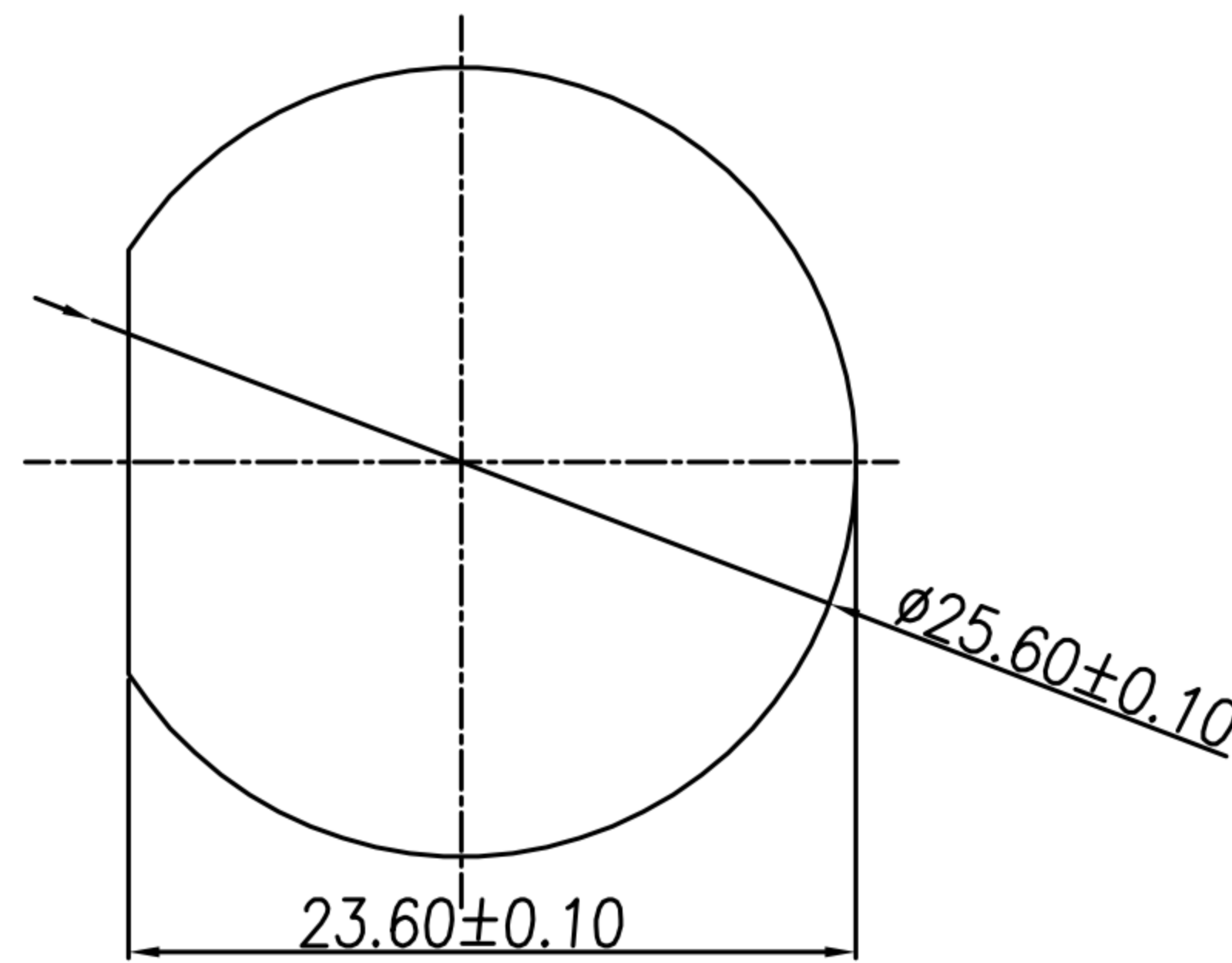
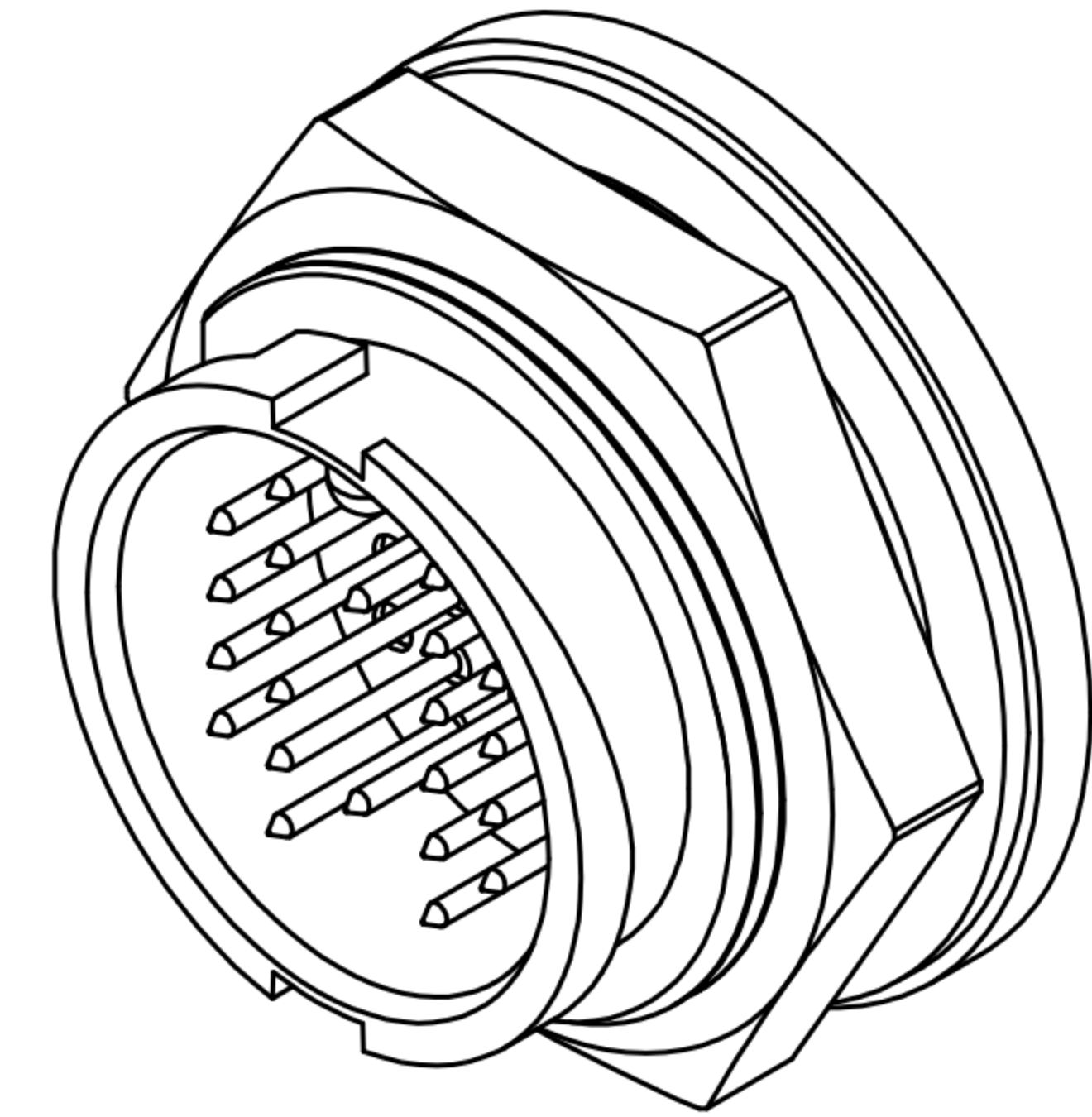
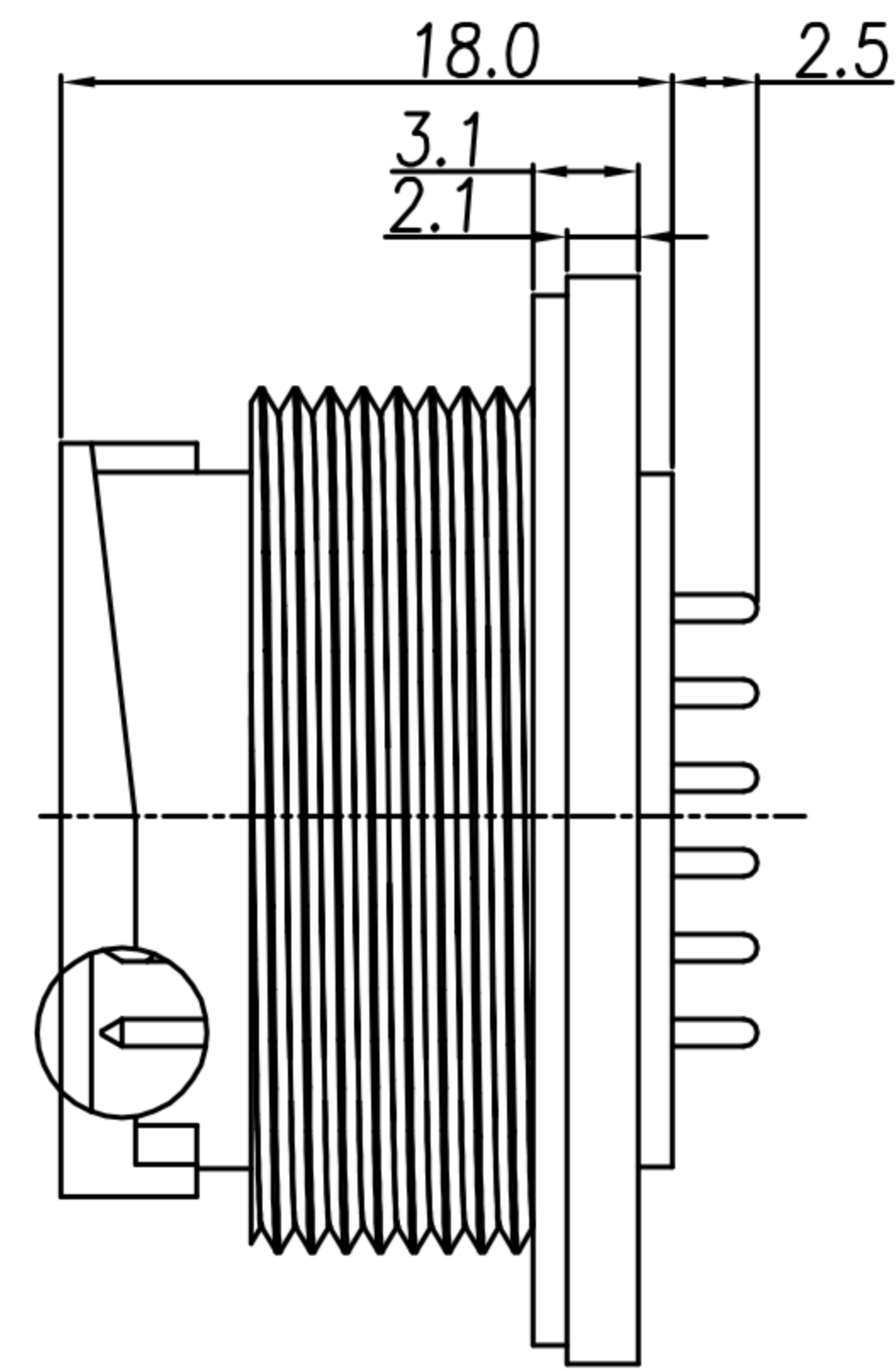
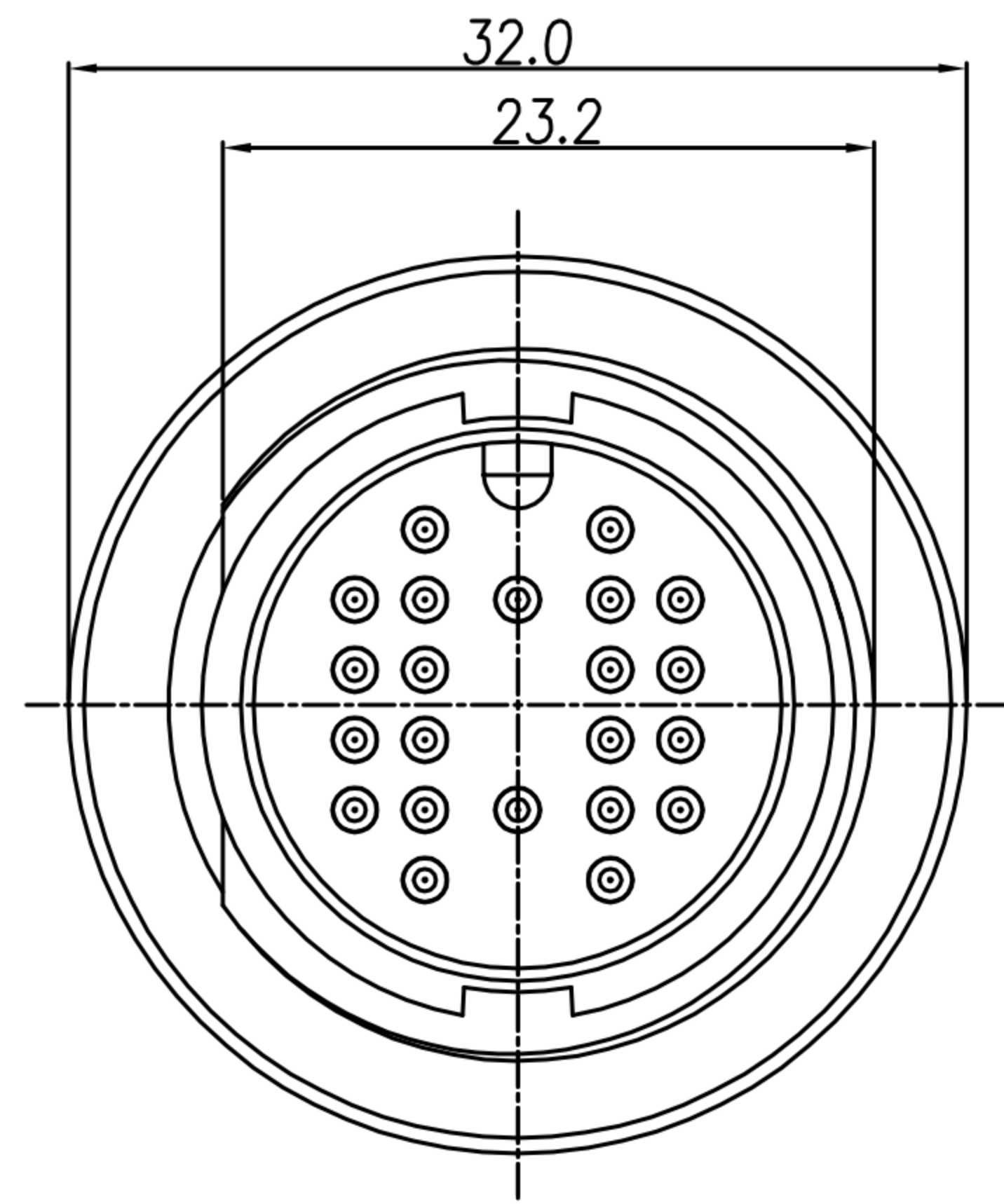


PIN CONFIGURATION & PCB LAYOUT

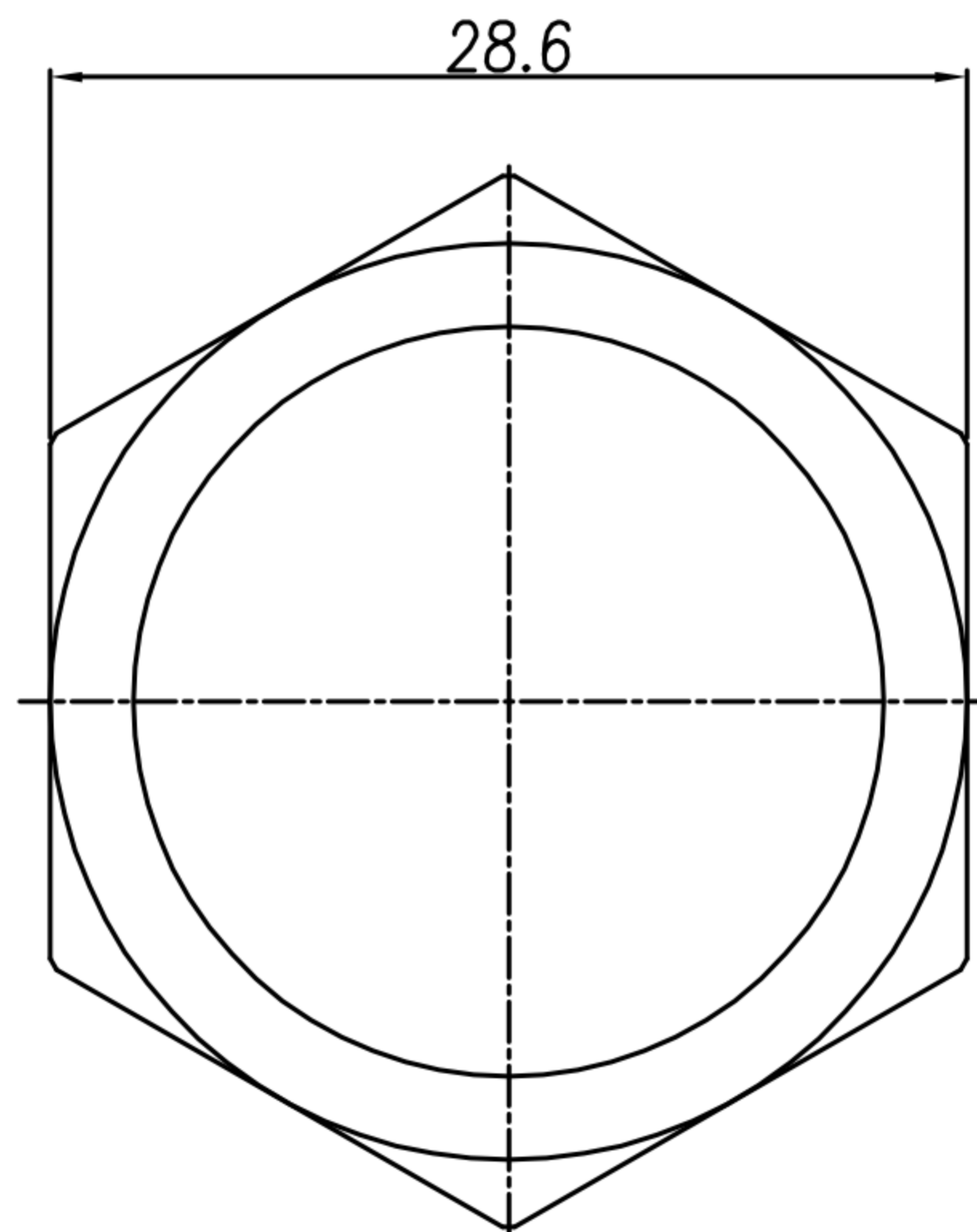
| | | | | | | | | | | | | | | |
|-------|------------|-------|---------|-------|-----|--|--|--|----------|---|---------|--------|---------|---|
| DRAWN | Emily Suen | APP'D | KU Chou | UNIT | mm | TOLERANCE | | 广东科斯达电子科技有限公司 GUANG DONG KE SI DA ELECTRONIC TECHNOLOGY CO., LTD. | TITLE | WP D Size(M Conn. M PIN) Front Fastened(Lock Bayonet) DIP TYPE-Circular | | | SHEET | 2 |
| CHK'D | KU Chou | | | SCALE | 1:1 | .x ±0.20 .xx ±0.10 .xxx ±0.05 .xxxx ±0.03 ANGULA ±1° | | | PART NO. | SEE TABLE A | DWG NO. | QC9614 | VERSION | A |

CUSTOMER DRAWING

| REV. | DESCRIPTION | APPROVED BY | DATE | ECN NO. |
|------|-------------|-------------|-----------|---------|
| A | RELEASE | Ku Chou | 11/03/20* | |
| B | | | | |
| C | | | | |



RECOMMEND PANEL HOLE



Hex Nut



1. MATERIAL :
 - 1-1. HOUSING : PA66
 - 1-2. CONTACT : BRASS
 - 1-3. GASKET : SILICONE
 - 1-4. HEX NUT : PA66
2. FINISH :
 - 2-1. CONTACT : GOLD FLASH PLATED
3. ELECTRICAL SPECIFICATION :
 - 3-1. Rated current : 2A
 - 3-2. Rated Voltage : 300V
4. Environmental :
 - 4-1. Operation Temperature : -40°C~105°C

| | | | | | | | | | | | | | | |
|-------|------------|-------|---------|-------|-----|--|--|--|----------|---|---------|--------|---------|-----|
| DRAWN | Emily Suen | APP'D | KU Chou | UNIT | mm | TOLERANCE | | 广东科斯达电子科技有限公司 GUANG DONG KE SI DA ELECTRONIC TECHNOLOGY CO., LTD. | TITLE | WP D Size(M Conn. M PIN) Front Fastened(Lock Bayonet) DIP TYPE-Circular | | | SHEET | 1/2 |
| CHK'D | KU Chou | | | SCALE | 1:1 | .x ±0.20 .xx ±0.10 .xxx ±0.05 .xxxx ±0.03 ANGULA ±1° | | | PART NO. | SEE TABLE A | DWG NO. | QC9614 | VERSION | A |