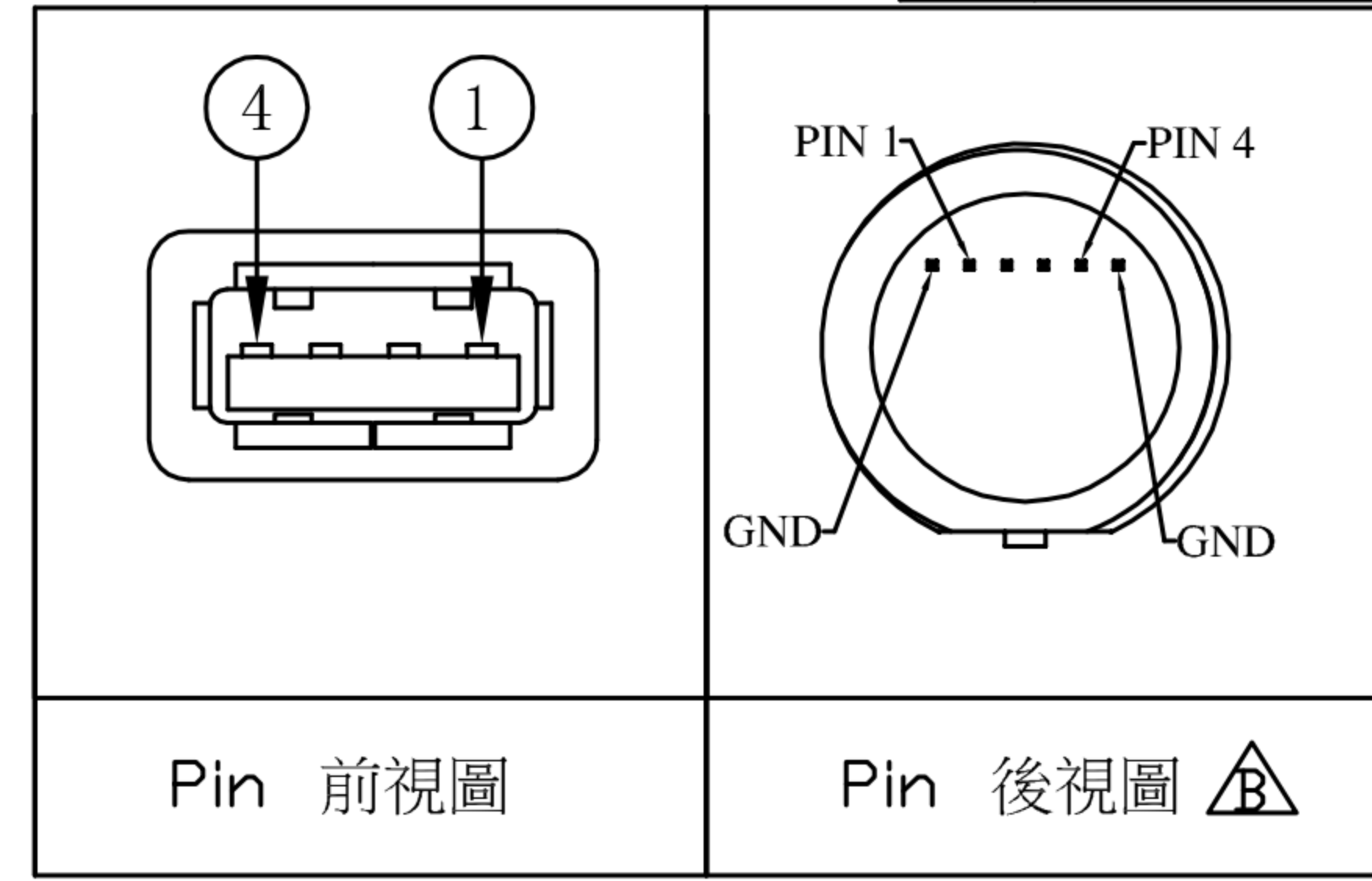
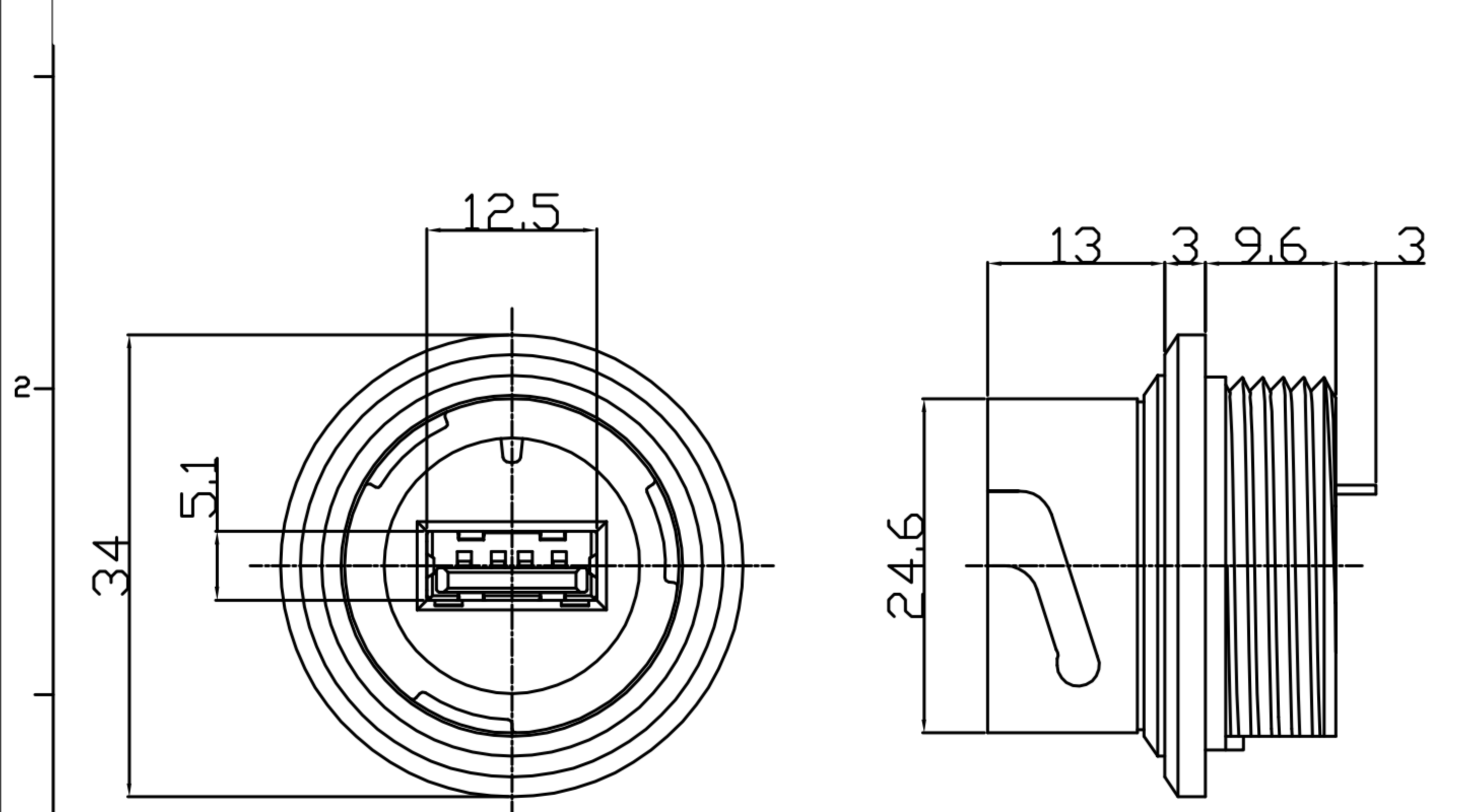
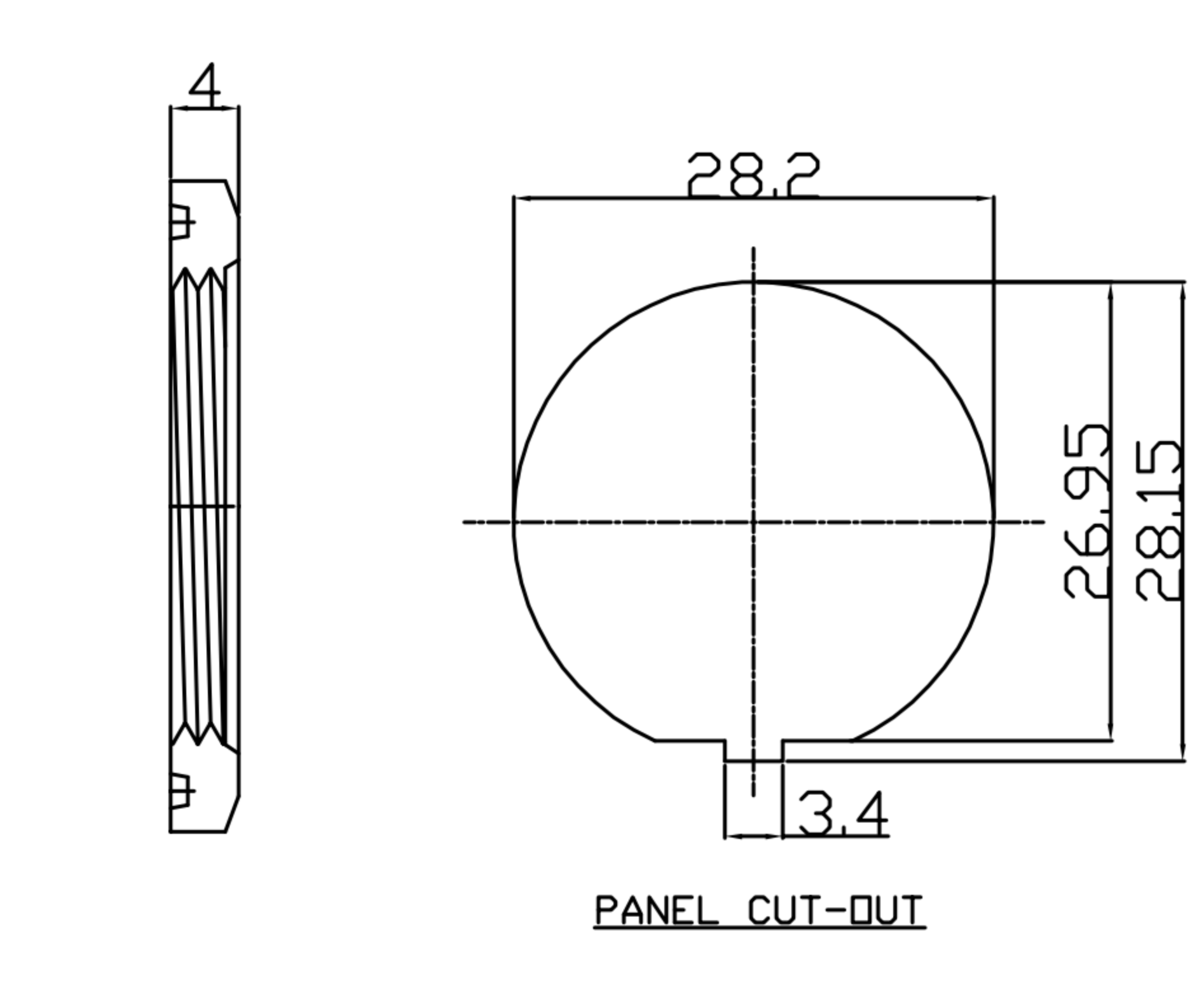
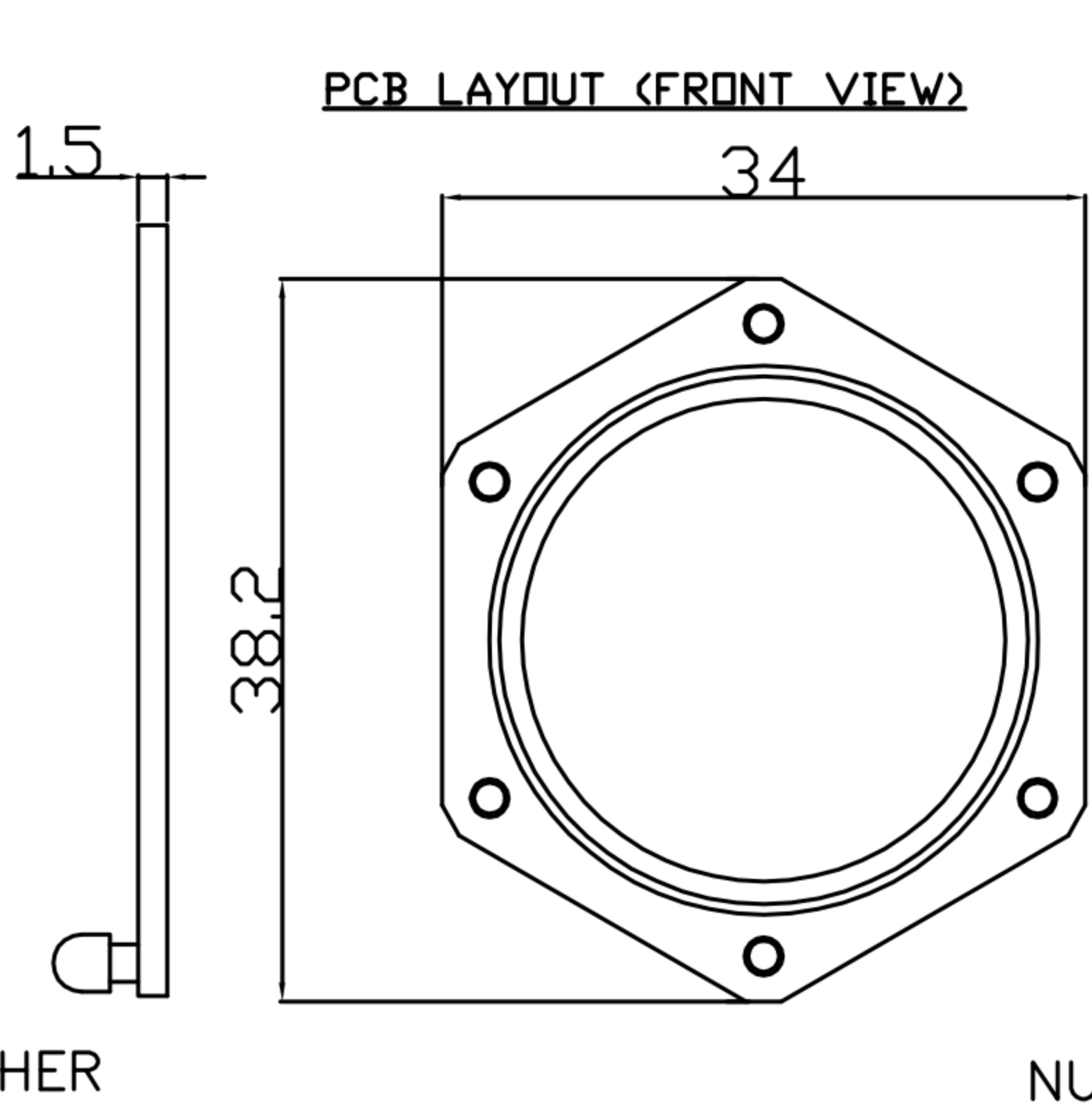
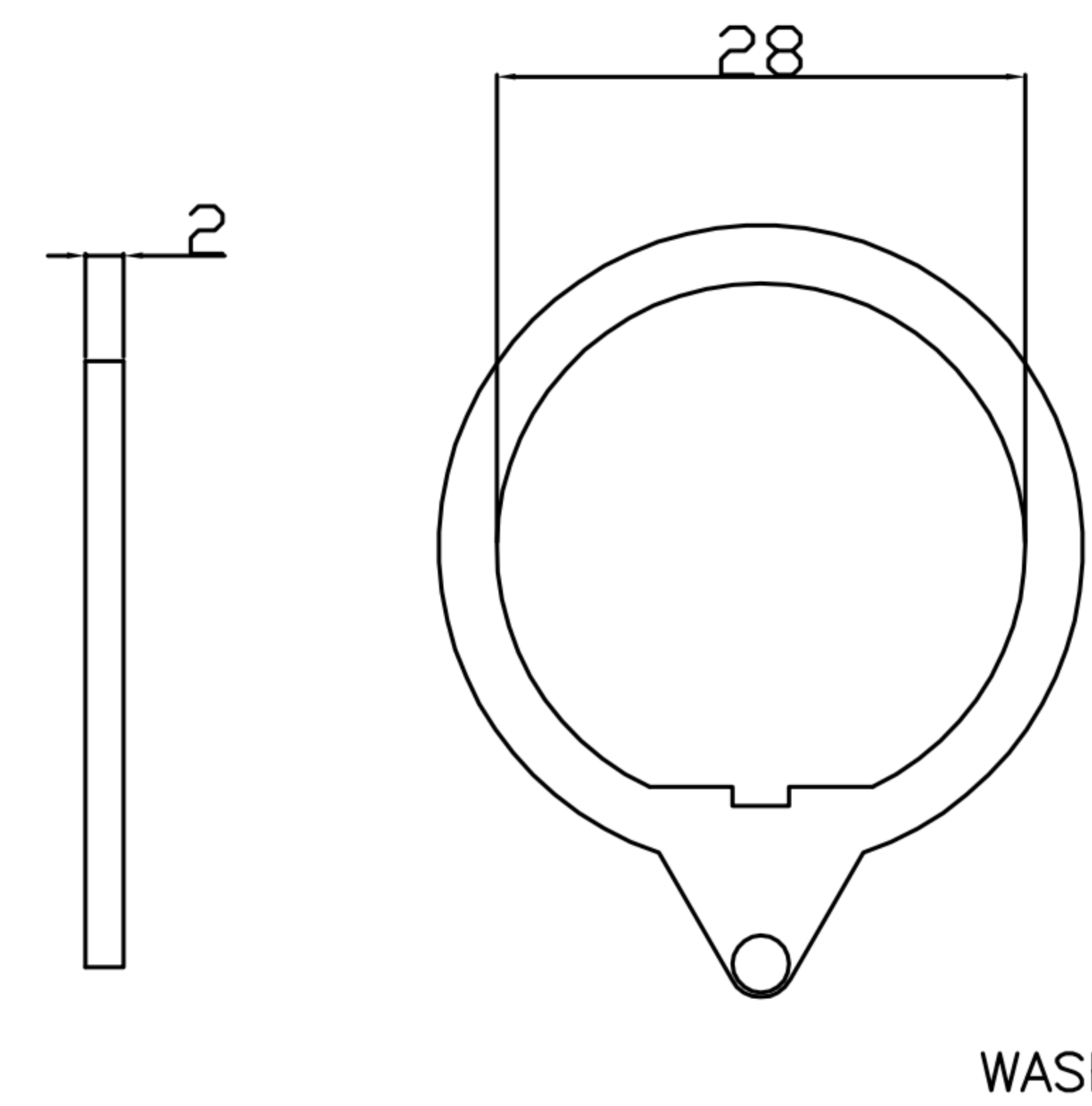
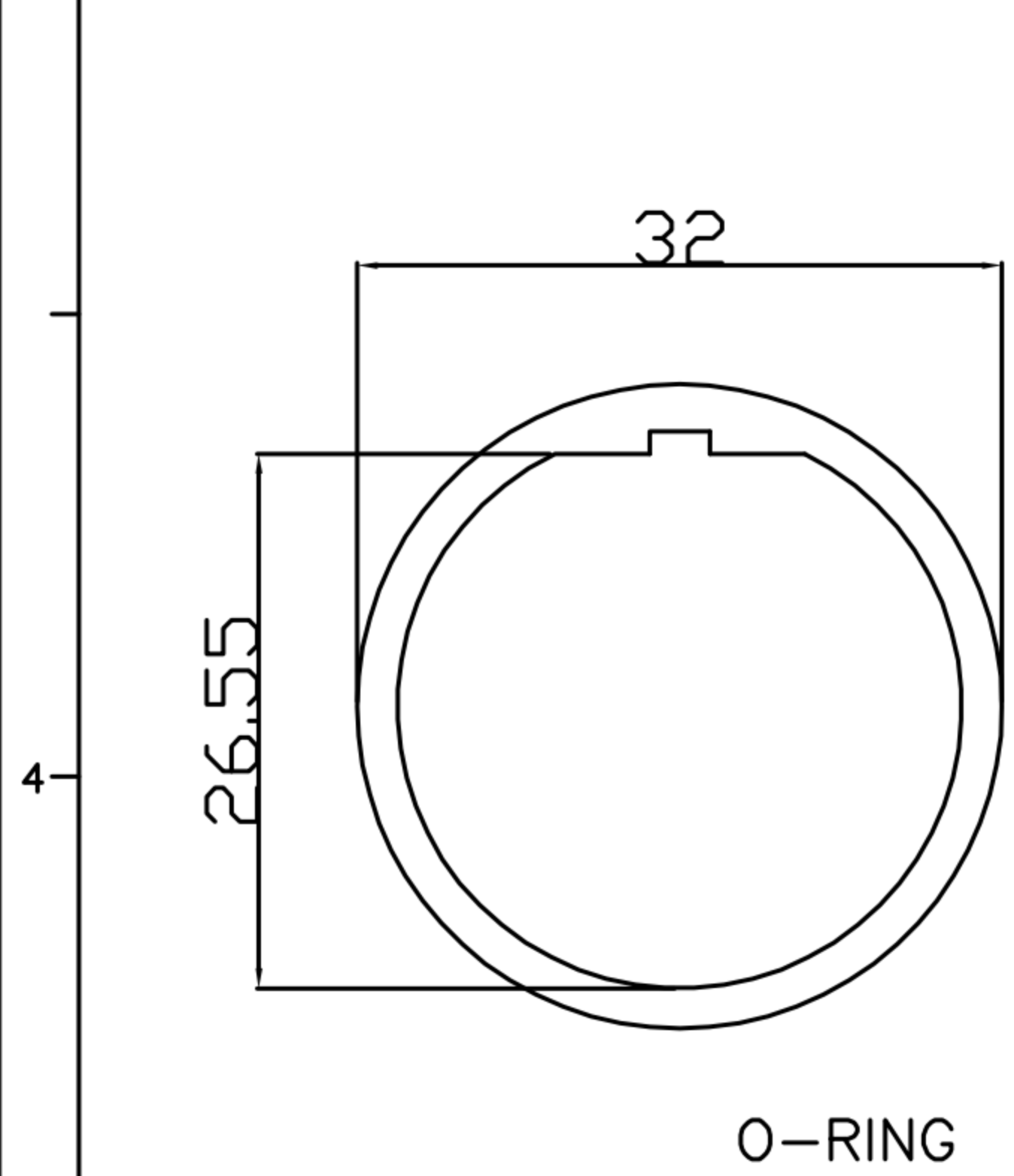
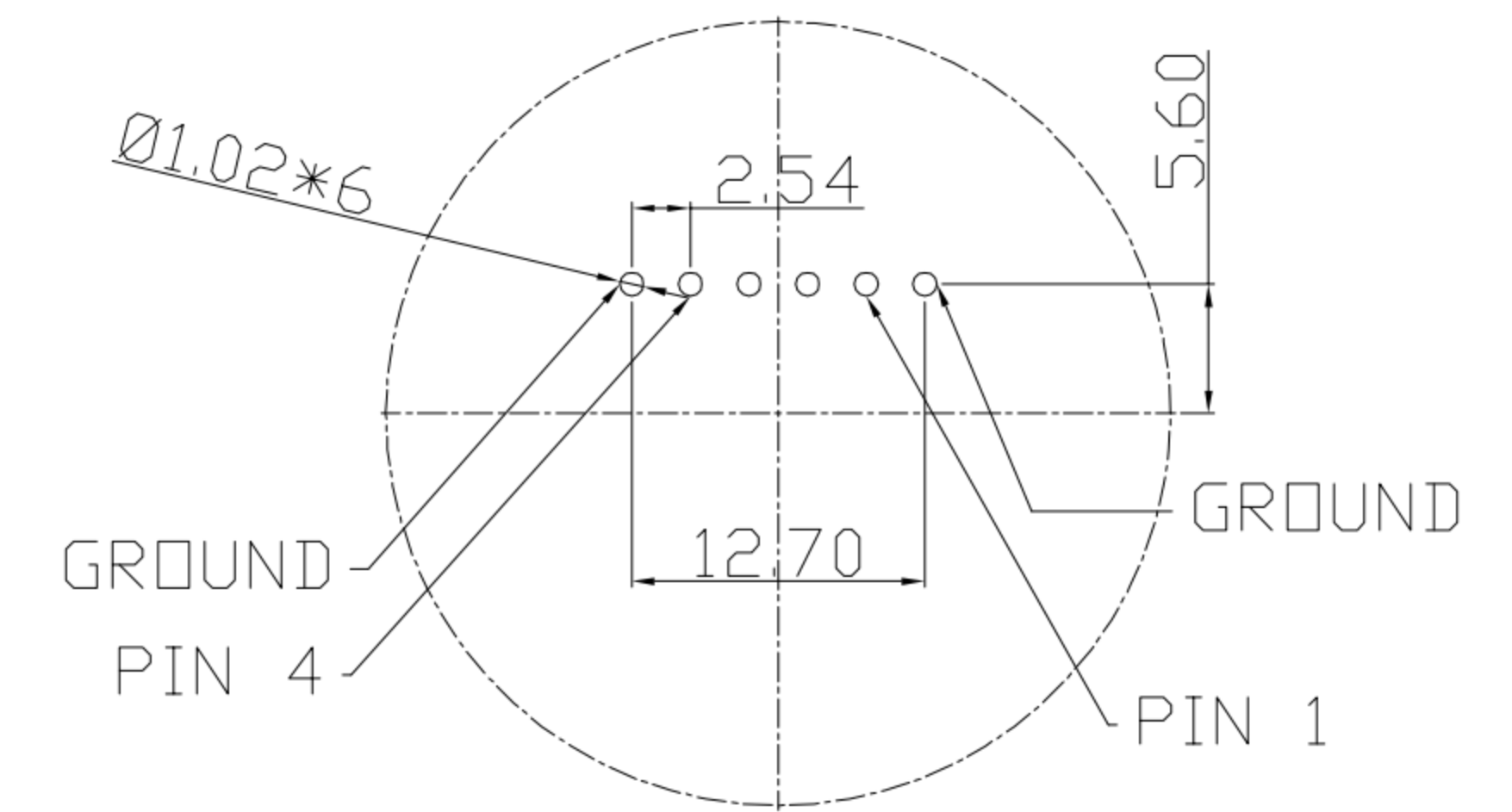


CUSTOMER DRAWING

REV.	DESCRIPTION	APPROVED BY	DATE	ECN NO.
A	RELEASE	Fido Weng	08/03/10*	
B	修正圖	Ku Chou	18/09/19*	
C				



- MATERIAL :**
- 1 . USB CONN :
 - 1-1 . HOUSING : PBT UL94V-0 ; COLOR : BLACK
 - 1-2 . CONTACT : PHOSPHOR BRONZE
 - 1-3 . SHELL : BRASS
 - 1-4 . PIN HEADER : BRASS
 - 2 . PARTS :
 - 2-1 . EXTERNAL HOUSING : PBT UL94V-0 ; COLOR : BLACK
 - 2-2 . NUT : PBT UL94V-0 ; COLOR : BLACK
 - 2-3 . WASHER : PBT UL94V-0 ; COLOR : BLACK
 - 2-4 . O-RING : SILICONE
 - 3 . PLATING :
 - 3-1 . CONTACT : GOLD PLATED ON CONTACT AREA
BRIGHT TIN ON SOLDER AREA
 - 3-2 . SHELL : NICKEL PLATED ON OVER ALL
 - 3-3 . PIN HEADER : GOLD PLATED
 - 4 . ELECTRICAL SPECIFICATION :
 - 4-1 . RATED CURRENT : 1.5A
 - 4-2 . RATED VOLTAGE : 30V
 - 4-3 . WATER PROOF : IP67
 - 5 . ENVIRONMENTAL :
 - 5-1 . DURABILITY : 1500 CYCLES
MATE FORCE : 35N (3.57kgf) MAX
UNMATE FORCE : 10 N min. initial
 - 5-2 . OPERATION TEMPERATURE : -20℃~85℃



DRAWN	Mark Kao	APPEND	Ku Chou	UNIT	mm	TOLERANCE			TITLE	防水USB(F)鎖板式(後鎖)			SHEET	1
CHKED	Emily Suen			SCALE	1:1	.x ±0.20 .xx ±0.10 .xxx ±0.05 .xxxx ±0.03 ANGULA ±1°			PART NO.	US-04F3-25	DWG NO.	QC5534	VERSION	B

广东科斯达电子科技有限公司
GUANG DONG KE SI DA ELECTRONIC TECHNOLOGY CO., LTD.