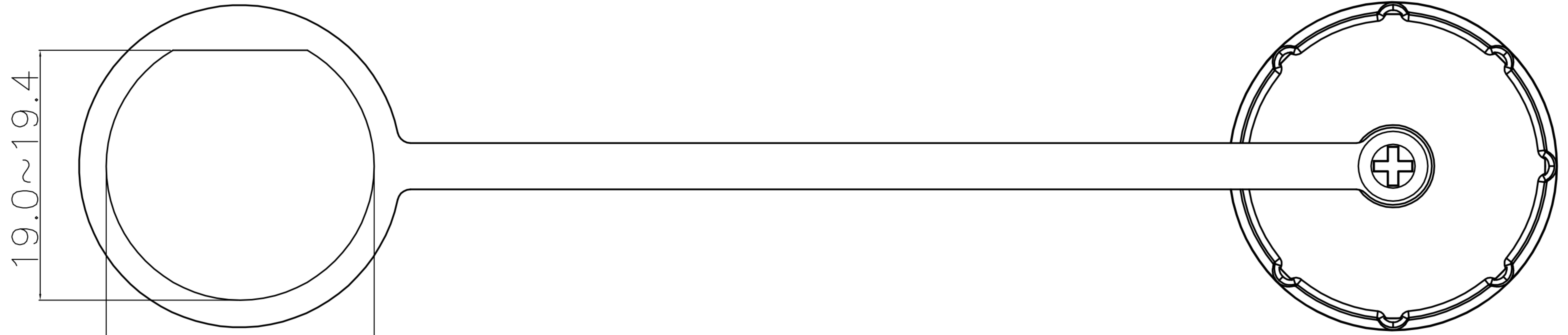


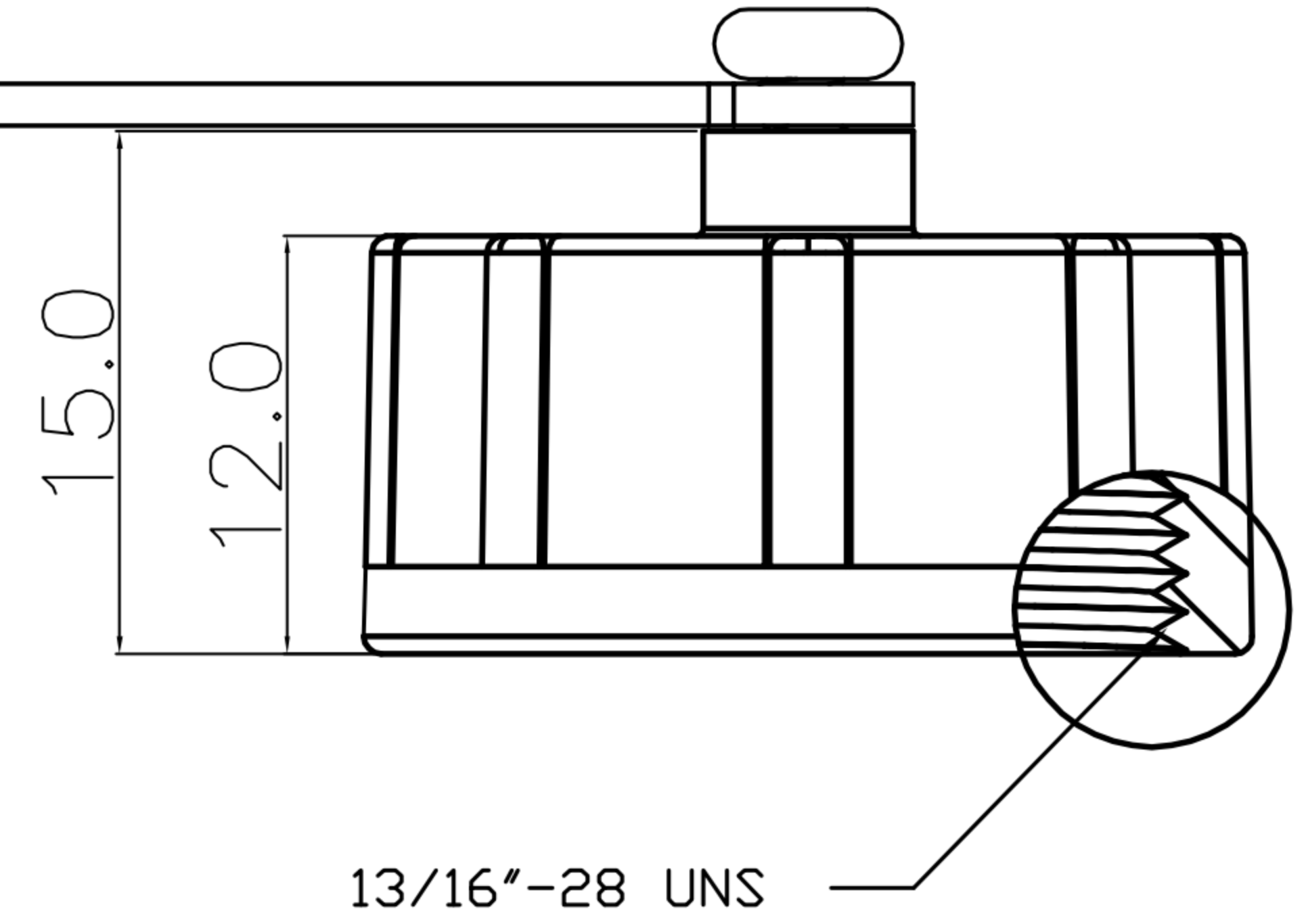
CUSTOMER DRAWING

REV.	DESCRIPTION	APPVL. BY	DATE	ECN NO.
A	RELEASE	Ku Chou	31/07/18*	
B				
C				



$\phi 20.6 \sim \phi 20.8$

19.0~19.4



1. MATERIAL :
- 1-1. CAP : PA66
 - 1-2. RUBBER LEAD : PVC
 - 1-3. GASKET : SILICON
 - 1-4. SCREW : STEEL

13/16"-28 UNS

DRAWN	Emily Suen	APP'D	Ku Chou	UNIT	mm	TOLERANCE		广东科斯达电子科技有限公司 GUANG DONG KE SI DA ELECTRONIC TECHNOLOGY CO., LTD.	TITLE	C SIZE Waterproof Cover (SCREW THREAD)			SHEET	
CHK'D	Ku Chou			SCALE	1:1	.x ±0.20 .xx ±0.10 .xxx ±0.05 .xxxx ±0.03 ANGULA ±1°			PART NO.	NY-WP1286-01	DWG NO.	QC8650	VERSION	