

CUSTOMER DRAWING

REV.	DESCRIPTION	APPROVED BY	DATE	ECN NO.
A	RELEASE	Ku Chou	10/03/20*	
B				
C				

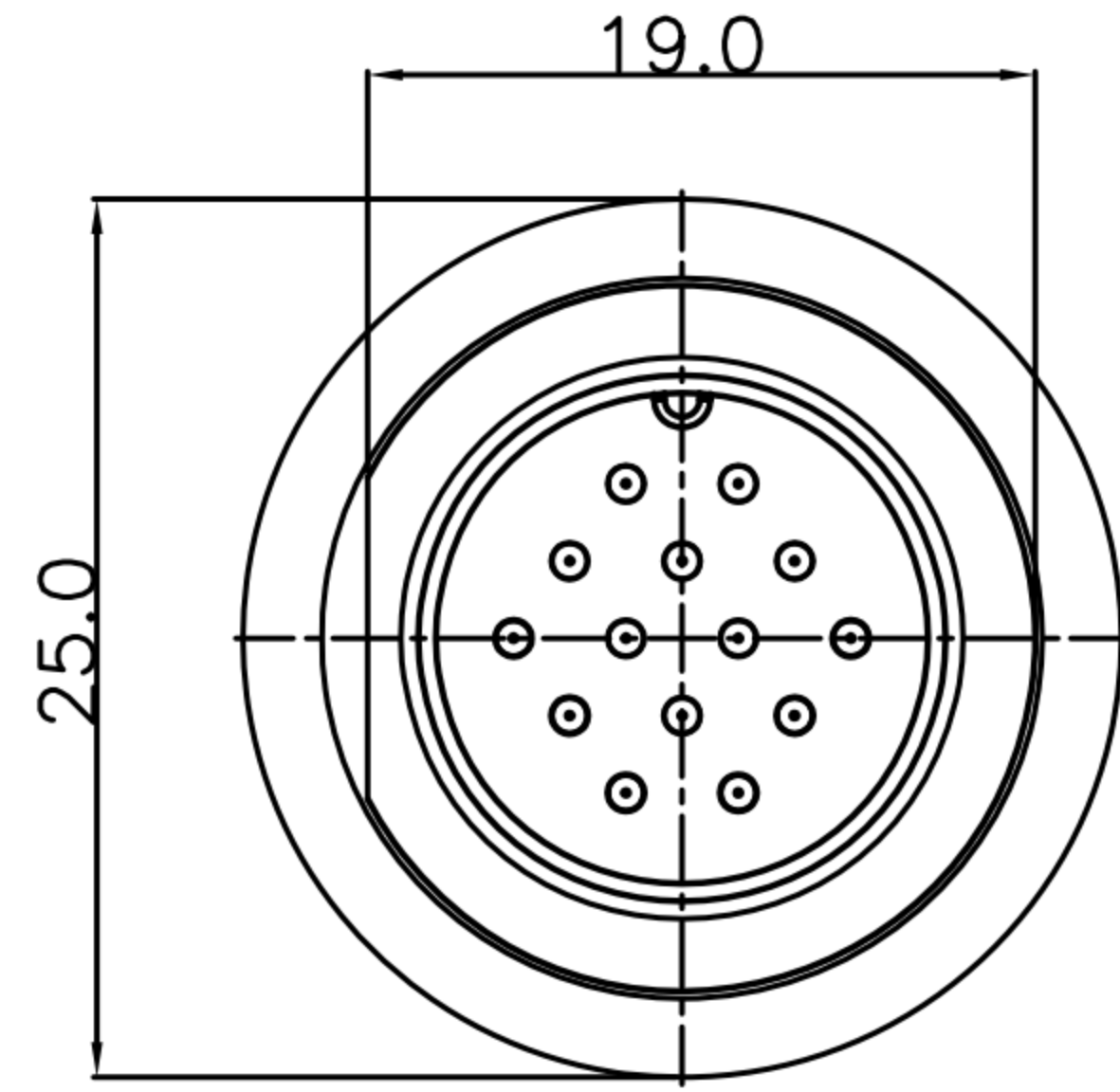
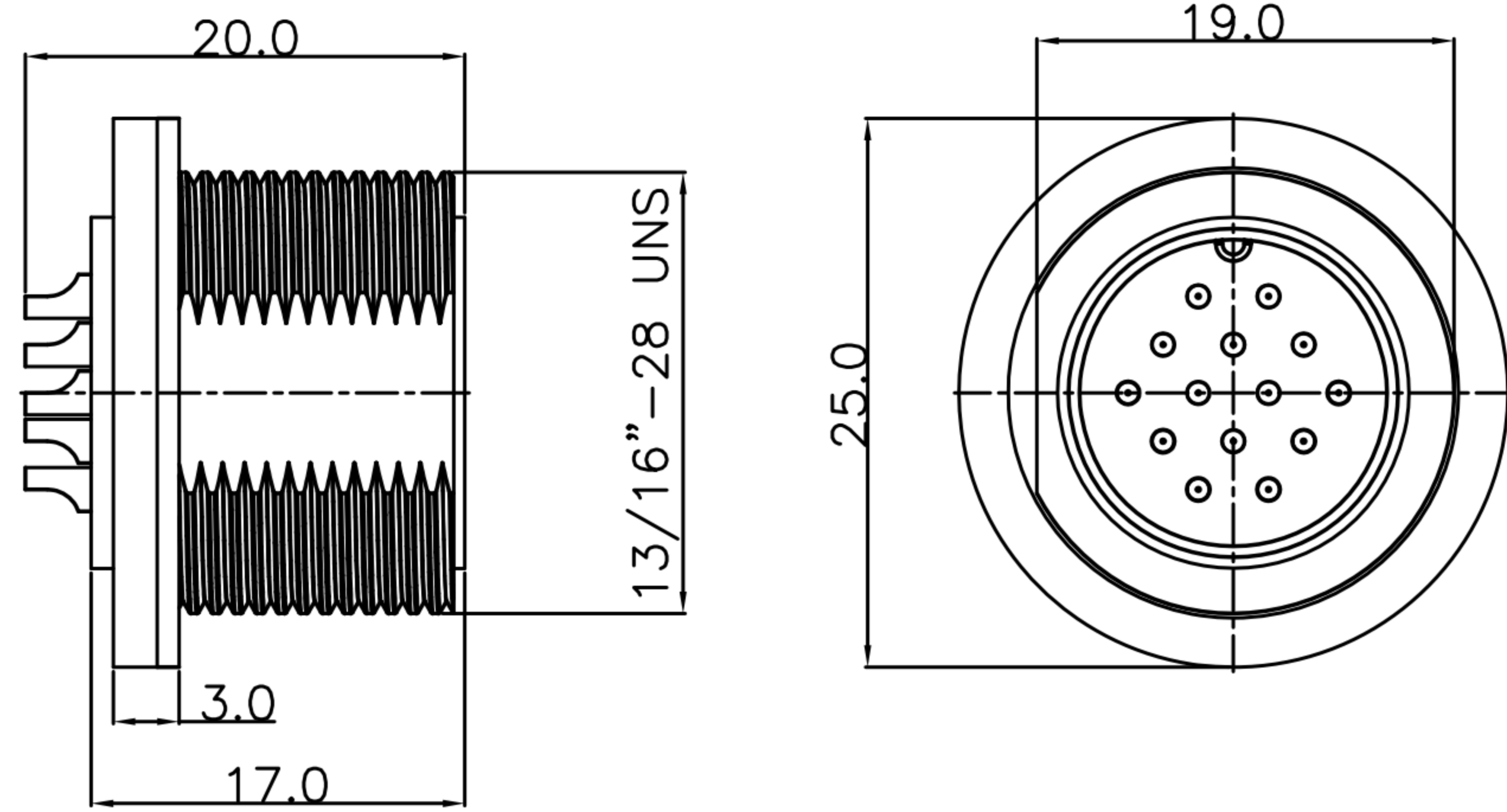
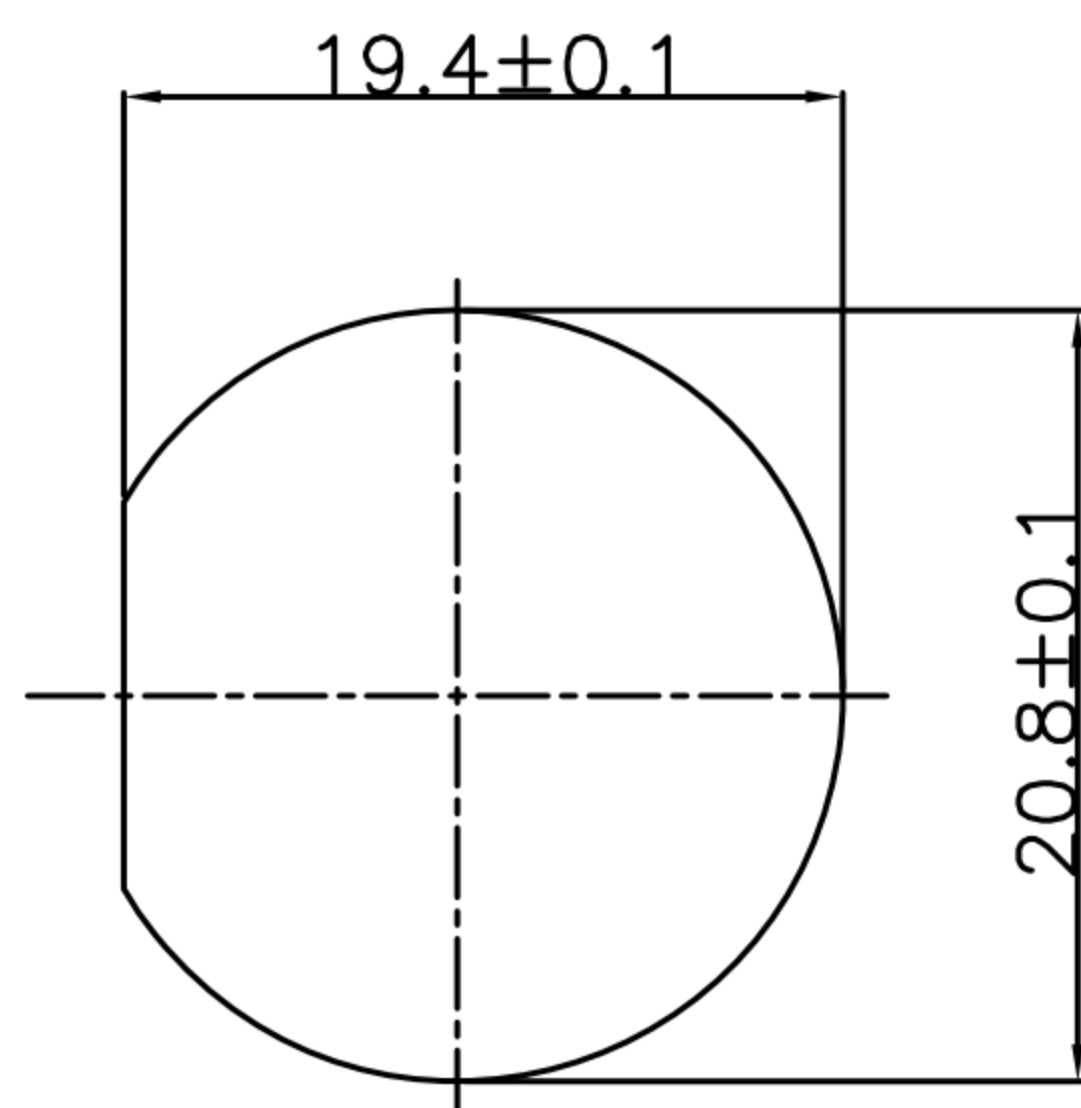


TABLE A

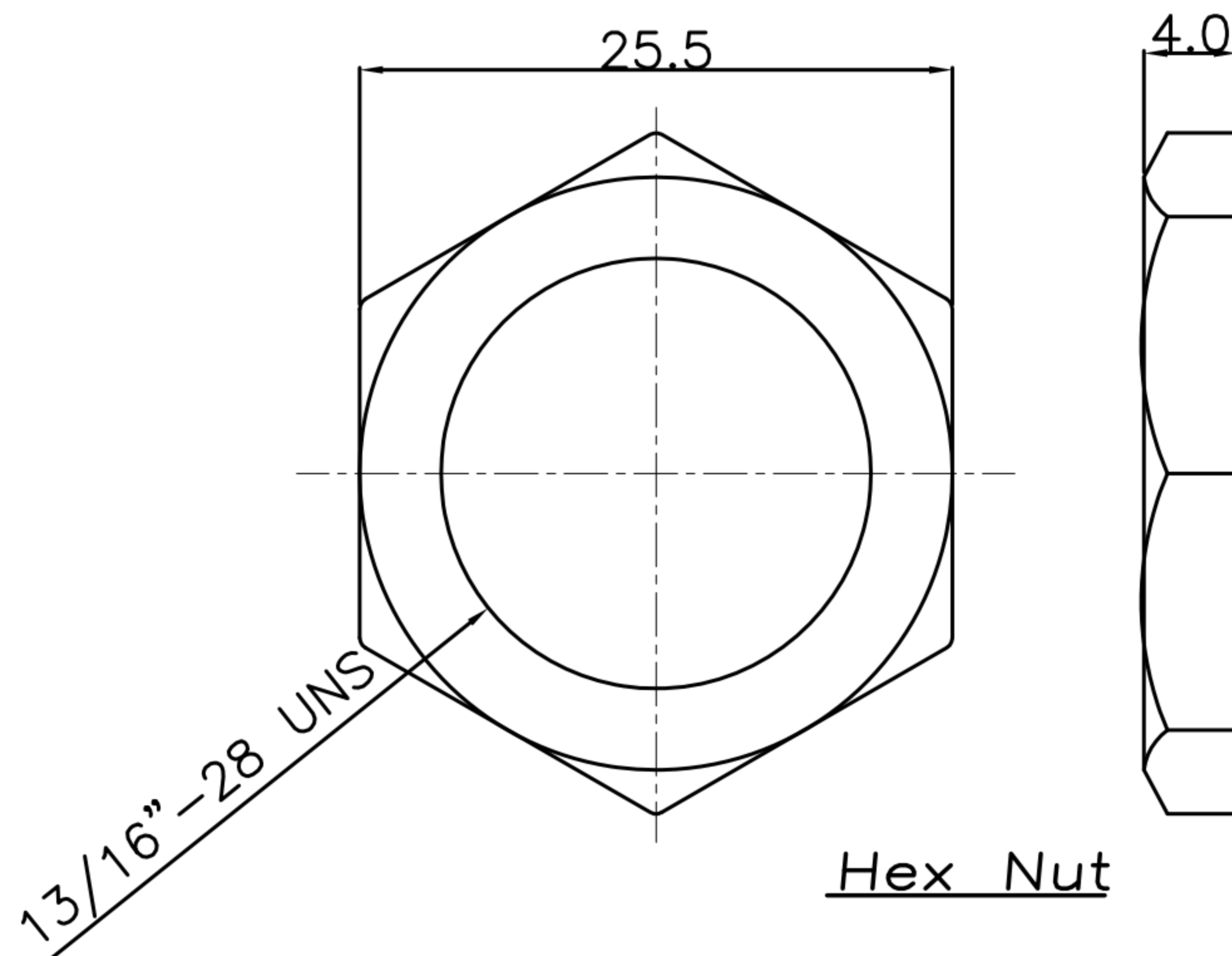
WP-07M2-23-11	WP-08M2-119-11	WP-09M2-21-11
WP-10M2-19-11	WP-12M2-31-11	WP-14M2-04-11

Pin Assignments

1. MATERIAL :
  - 1-1. HOUSING : PA66
  - 1-2. CONTACT : BRASS
  - 1-3. GASKET : SILICONE
  - 1-4. HEX NUT : PA66
2. FINISH :
  - 2-1. CONTACT : GOLD FLASH PLATED.
3. ELECTRICAL SPECIFICATION :
  - 3-1. Rated current : 5A
  - 3-2. Rated Voltage : 250V
  - 3-3. Water proof : IP67
4. Environmental :
  - 4-1. Operation Temperature : -40℃~105℃



RECOMMEND PANEL CUT-OUT



Hex Nut

DRAWN	Emily Suen	APP'D	Ku Chou	UNIT	mm	TOLERANCE		广东科斯达电子科技有限公司 GUANG DONG KE SI DA ELECTRONIC TECHNOLOGY CO., LTD.	TITLE	WP C Size(M) Front Lock Solder Type(Screw Thread)			SHEET	
CHK'D	Ku Chou			SCALE	1:1	.x ±0.20 .xx ±0.10 .xxx ±0.05 .xxxx ±0.03 ANGULA ±1°			PART NO.	SEE TABLE A	DWG NO.	QC10206	VERSION	