

CUSTOMER DRAWING

REV.	DESCRIPTION	APPVL. BY	DATE	ECN NO.
△A	RELEASE	Fido Weng	05/09/18*	
△B				
△C				

步驟一:

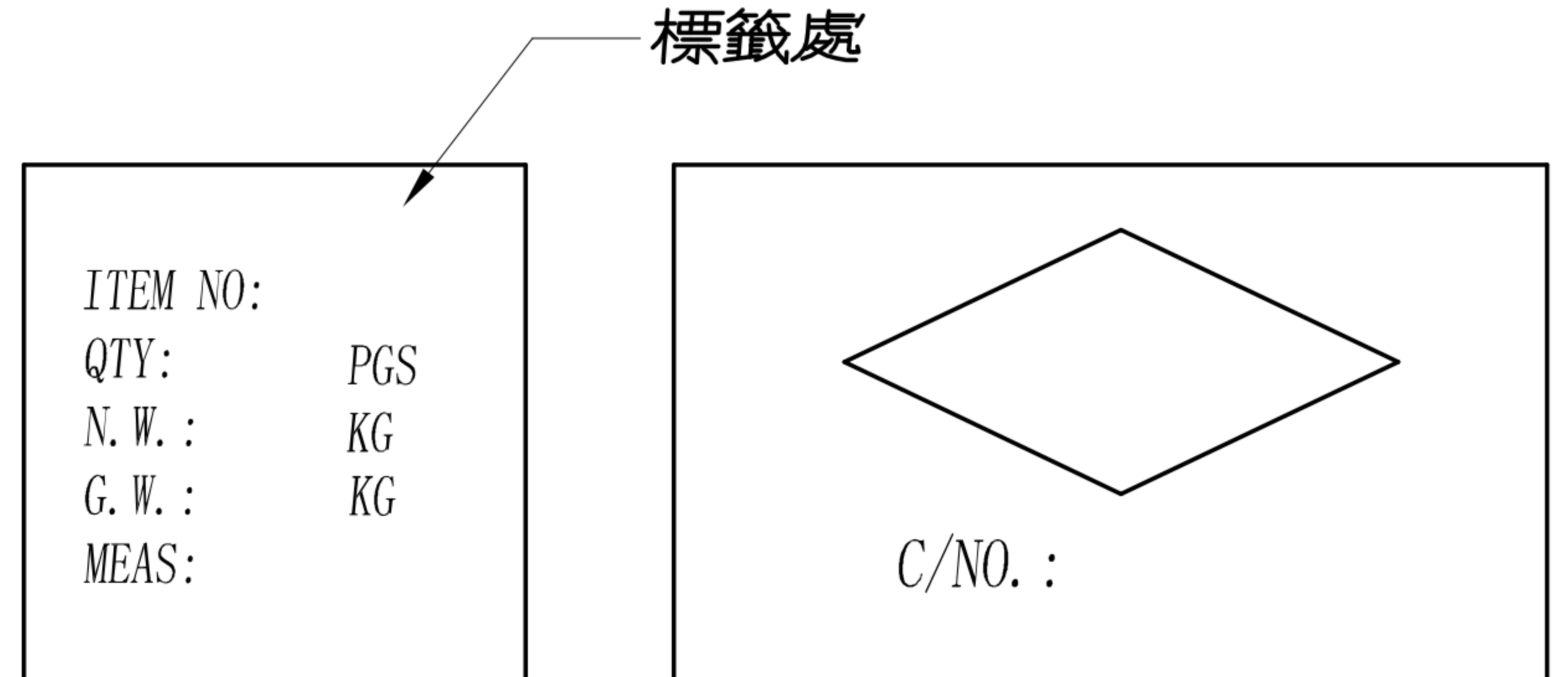
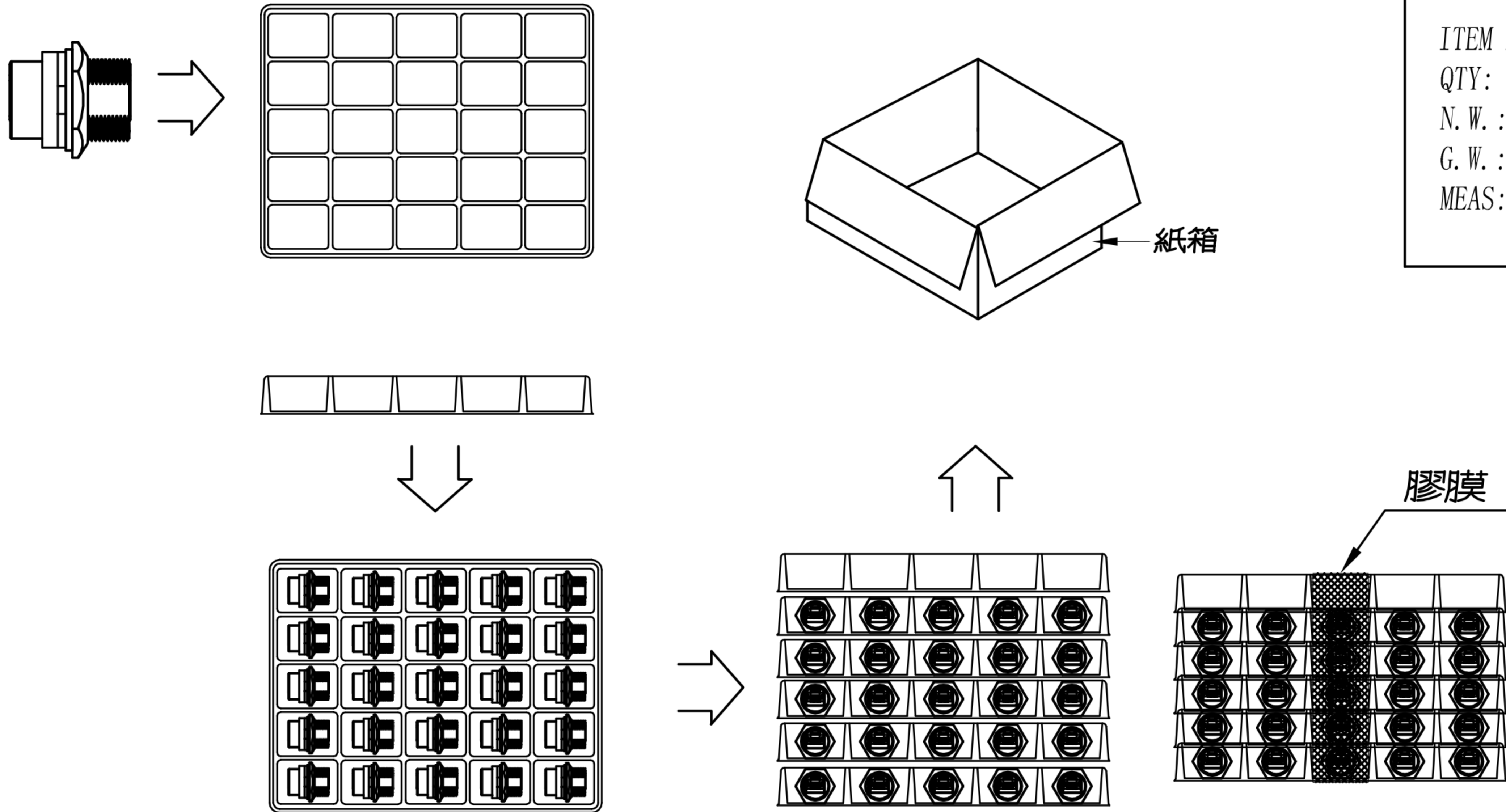
1. 將成品一一放入包裝盤內,並以同一方向置入.
2. 包裝方式,如下圖所示.
3. 一個包裝盤25pcs.
4. 堆層至8盤止,最上層為空盤做蓋子(不足盤也需放置)
4. 層疊盤後,在以膠膜固定.

步驟二:

1. 一個紙箱可以裝8個包裝盤.
2. 每盤25pcs,每箱200pcs.
3. 將包裝盤放紙箱中,後封箱.

步驟三:

1. 用膠帶將紙箱封實.
2. 將標籤貼於紙箱上.



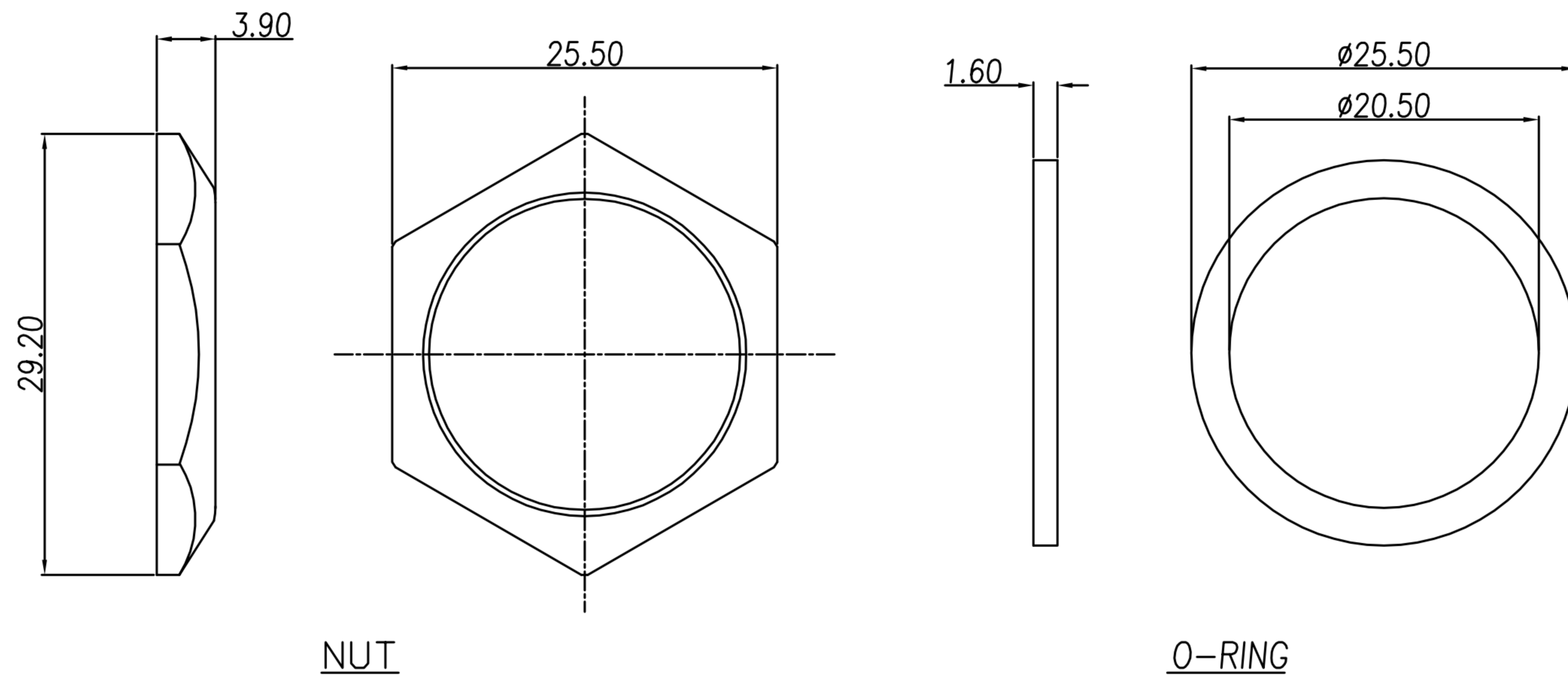
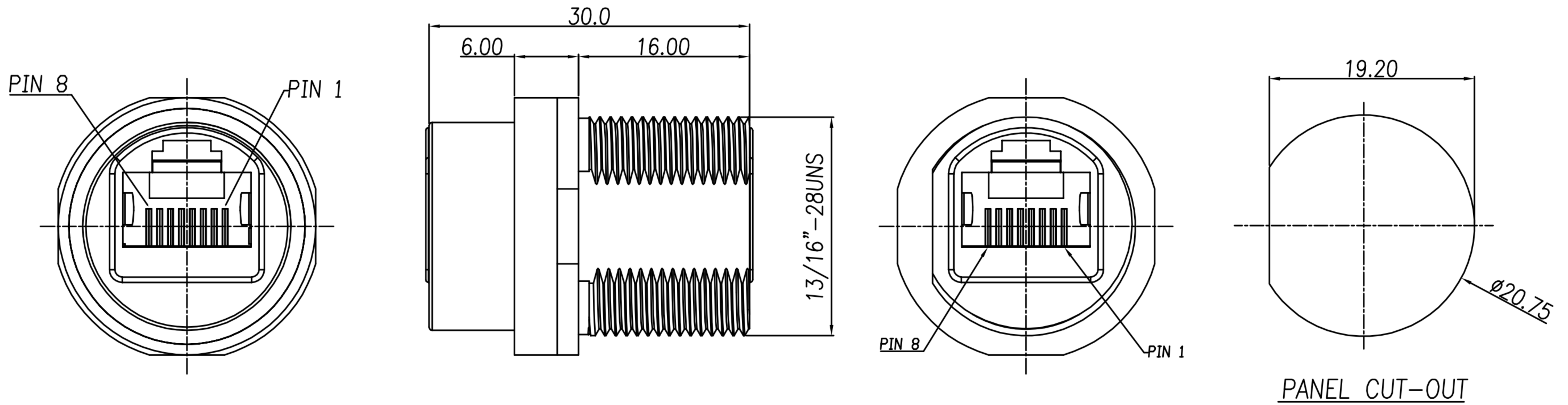
- NOTE:
1. 若有未裝滿之零數,必須以緩衝材塞滿.
  2. 在搬運過程中要輕拿輕放.
  3. 載運輸中不可堆放過多,不可有重壓現象.

DRAW	Mark Kao	APPVL	Ku Chou	UNIT	mm	TOLERANCE			TITLE	Waterproof RJ45 8PIN(F) Screw Panel Mount			SHEET	2
CHECK	Emily Suen			SCALE	1:1	.x ±0.20 .xx ±0.10 .xxx ±0.05 .xxxx ±0.03 ANGULA ±1°			PART NO.	RJ-08F2-04-11	DWG NO.	QC7705	VERSION	A



CUSTOMER DRAWING

REV.	DESCRIPTION	APPVL. BY	DATE	ECN NO.
△A	RELEASE	Yeh Chou		
△B	修正油封材質	Yeh Chou	15/05/19'	
△C				



1. MATERIAL :
  - 1-1. HOUSING : PBT UL94V-0 ; COLOR : BLACK.
  - 1-2. CONTACT : PHOSPHOR BRONZE
  - 1-3. SHELL : ZINC ALLOY
  - 1-4. GROUND : SUS 301
  - △ 1-5. O-RING : SILICONE ; COLOR : BLACK.
  - 1-6. NUT : BRASS
2. FINISH :
  - 2-1. CONTACT : GOLD FLASH MICRO INCHES MIN.
  - 2-2. NUT : NICKEL PLTAE.
  - 2-3. SHELL : NICKEL PLTAE.
  - 2-4. GROUND : NICKEL PLTAE.
3. ELECTRICAL SPECIFICATION :
  - 3-1. Rated current : 1.5A
  - 3-2. Rated Voltage : 125V AC
  - 3-3. Water proof : IPX7
4. Environmental :
  - 4-1. Operation Temperature : -40℃~85℃

DRAW	Ku Chou	APPVL	Fido Weng	UNIT	mm	TOLERANCE		广东科斯达电子科技有限公司 GUANG DONG KE SI DA ELECTRONIC TECHNOLOGY CO., LTD.	TITLE	Waterproof RJ45 8PIN(F) Screw Panel Mount			SHEET	
CHECK	Emily Suen			SCALE	1:1	.x ±0.20 .xx ±0.10 .xxx ±0.05 .xxxx ±0.03 ANGULA ±1°			PART NO.	RJ-08F2-04-11	DWG NO.	QC7705	VERSION	