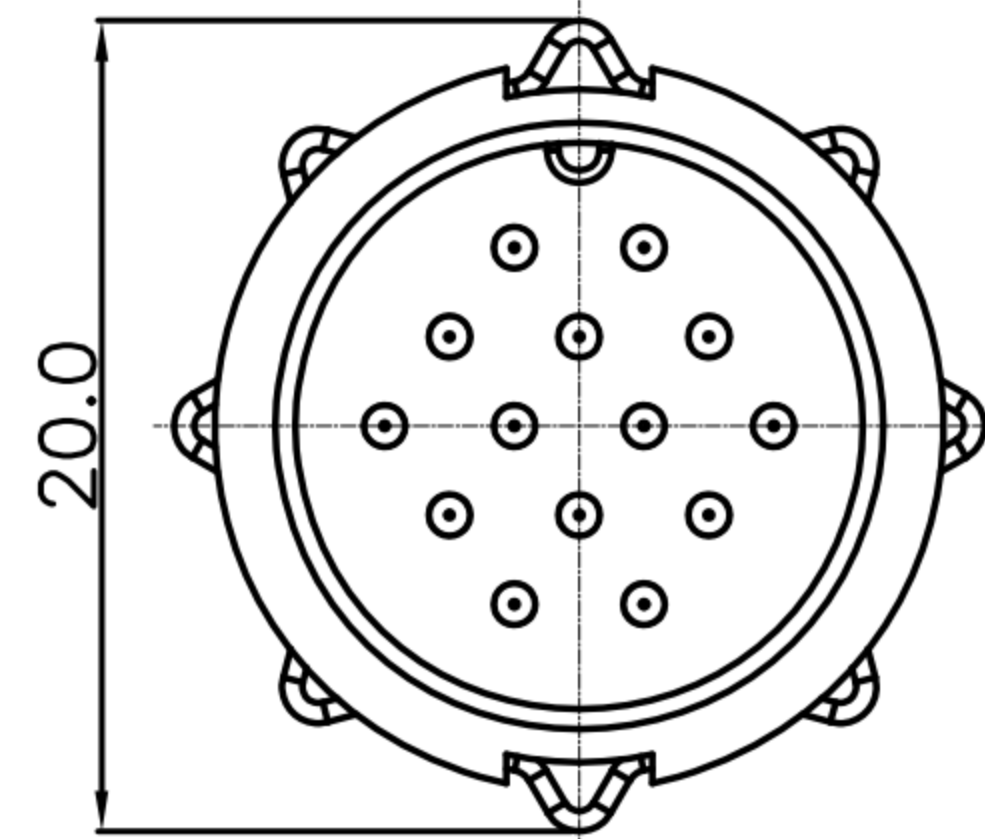
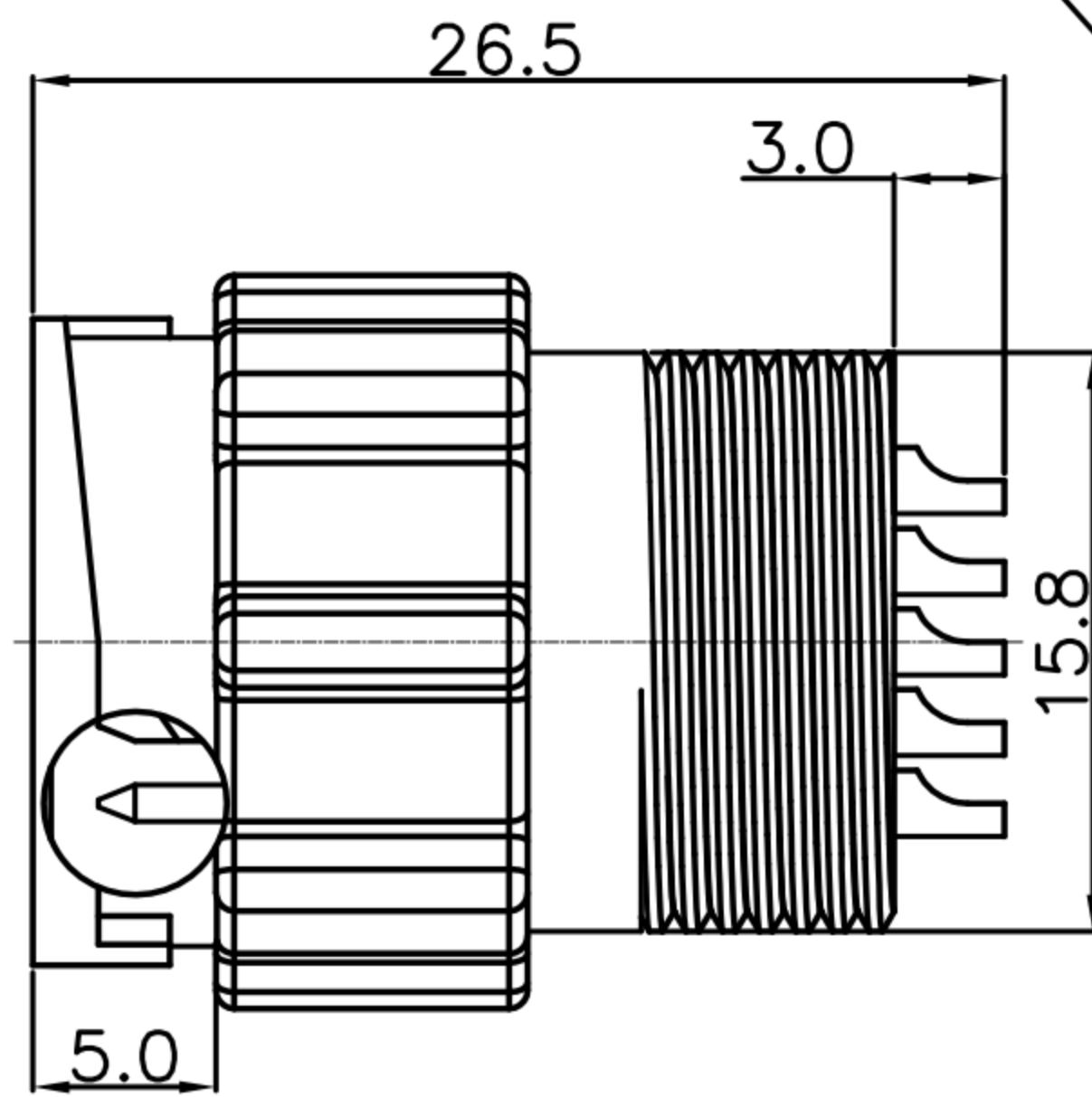


CUSTOMER DRAWING

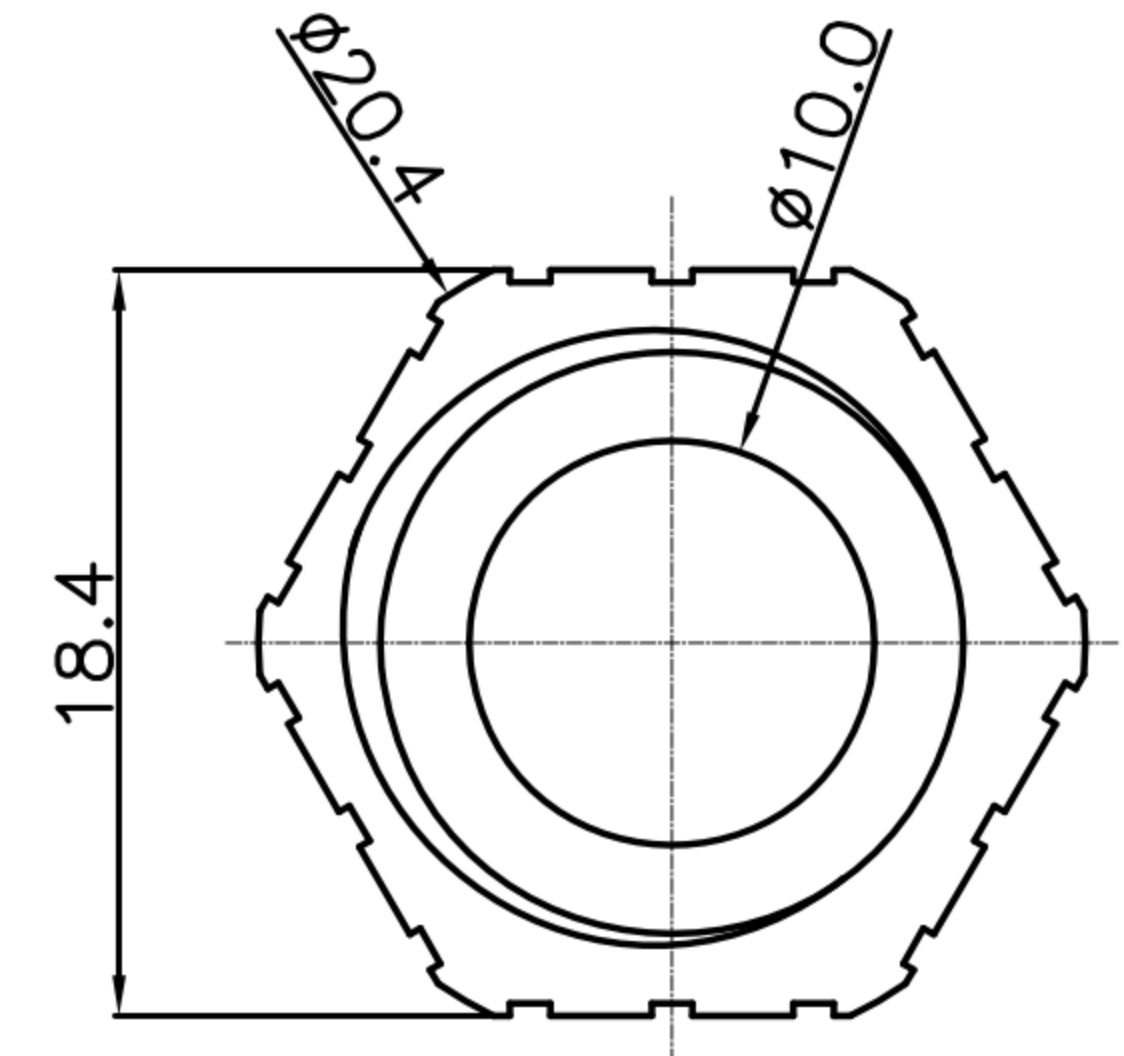
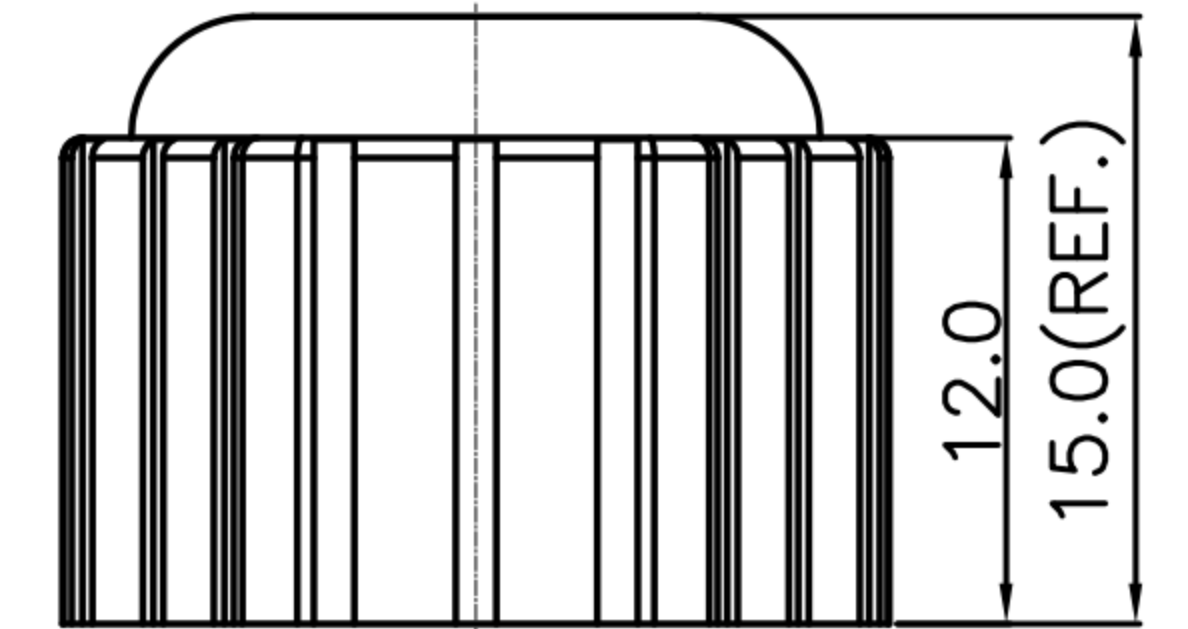
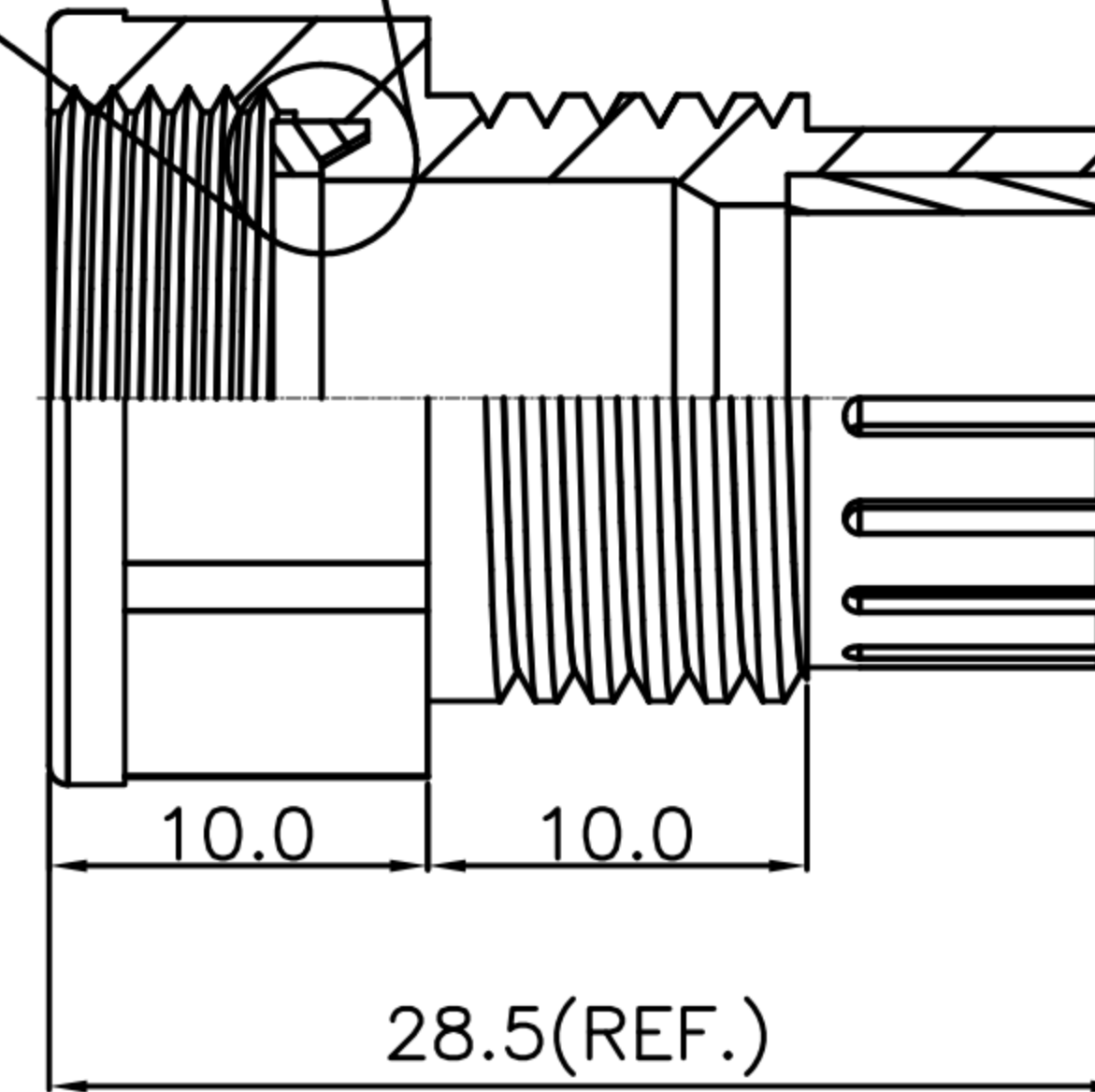
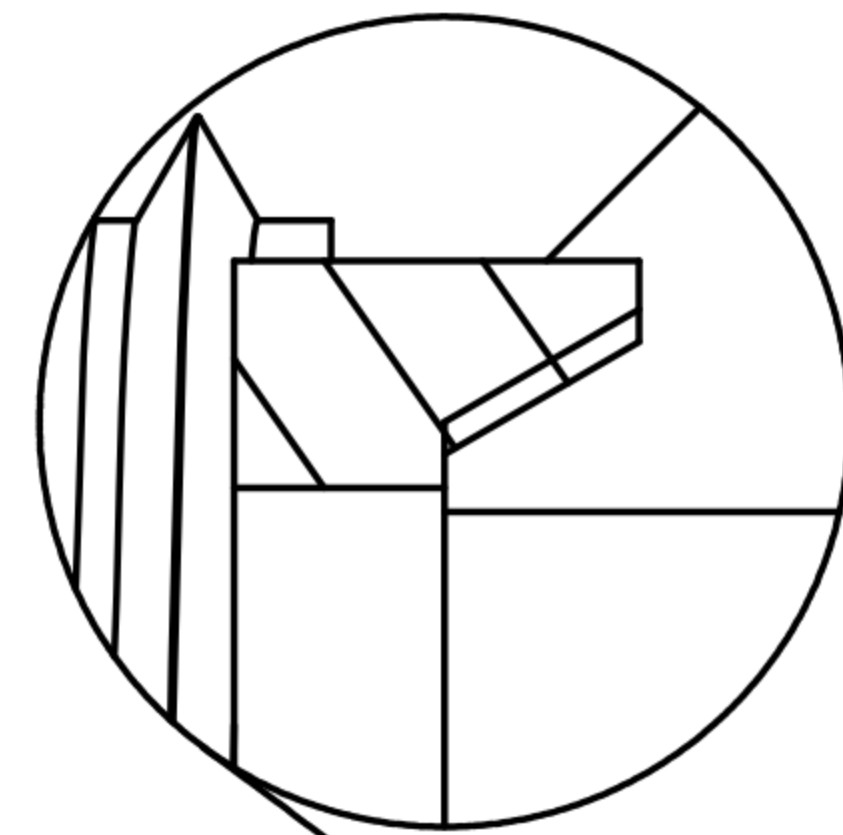
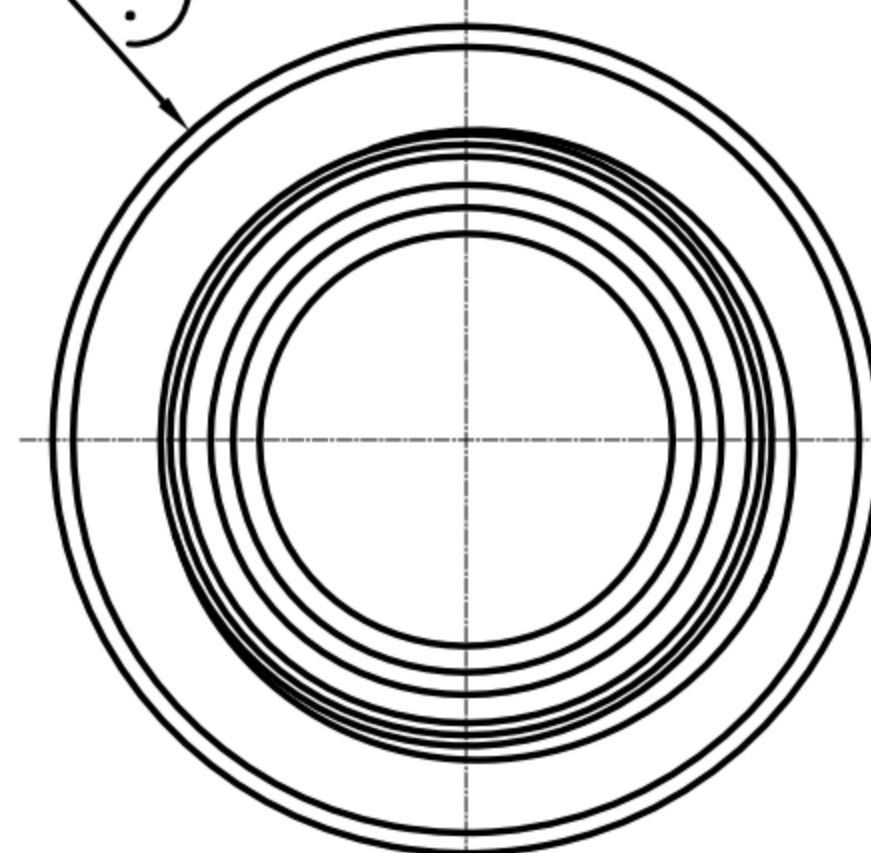
REV.	DESCRIPTION	APPROVED BY	DATE	ECN NO.
A	RELEASE	Ku Chou	20/11/18'	
B				
C				



HOUSING & CONTACT



CLAMP & GASKET & SEAL



SEALING NUT

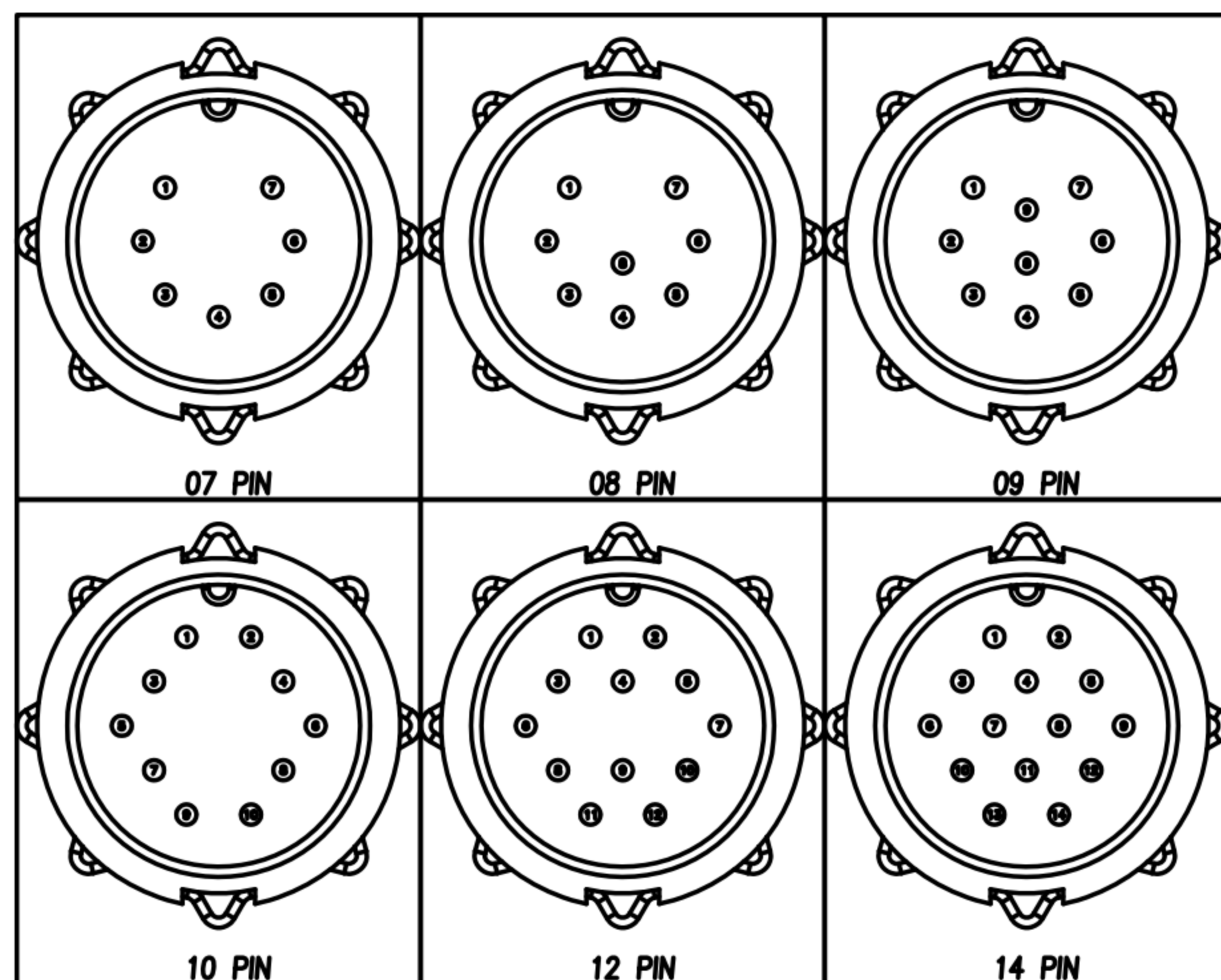
DRAWN	Emily Suen	APP'D	Ku Chou	UNIT	mm	TOLERANCE			TITLE	WP M CONN. M PIIN C SIZE ASSEMBLY TYPE(LOCK)-5A			SHEET
CHK'D	Ku Chou			SCALE	1:1	.x ±0.20 .xx ±0.10 .xxx ±0.05 .xxxx ±0.03 ANGULAR ±1°			PART NO.	SEE TABLE A	DWG NO.	QC9737	VERSION



CUSTOMER DRAWING

REV.	DESCRIPTION	APPROVED BY	DATE	ECN NO.
△A	RELEASE	Ku Chou	20/11/18'	
△B				
△C				

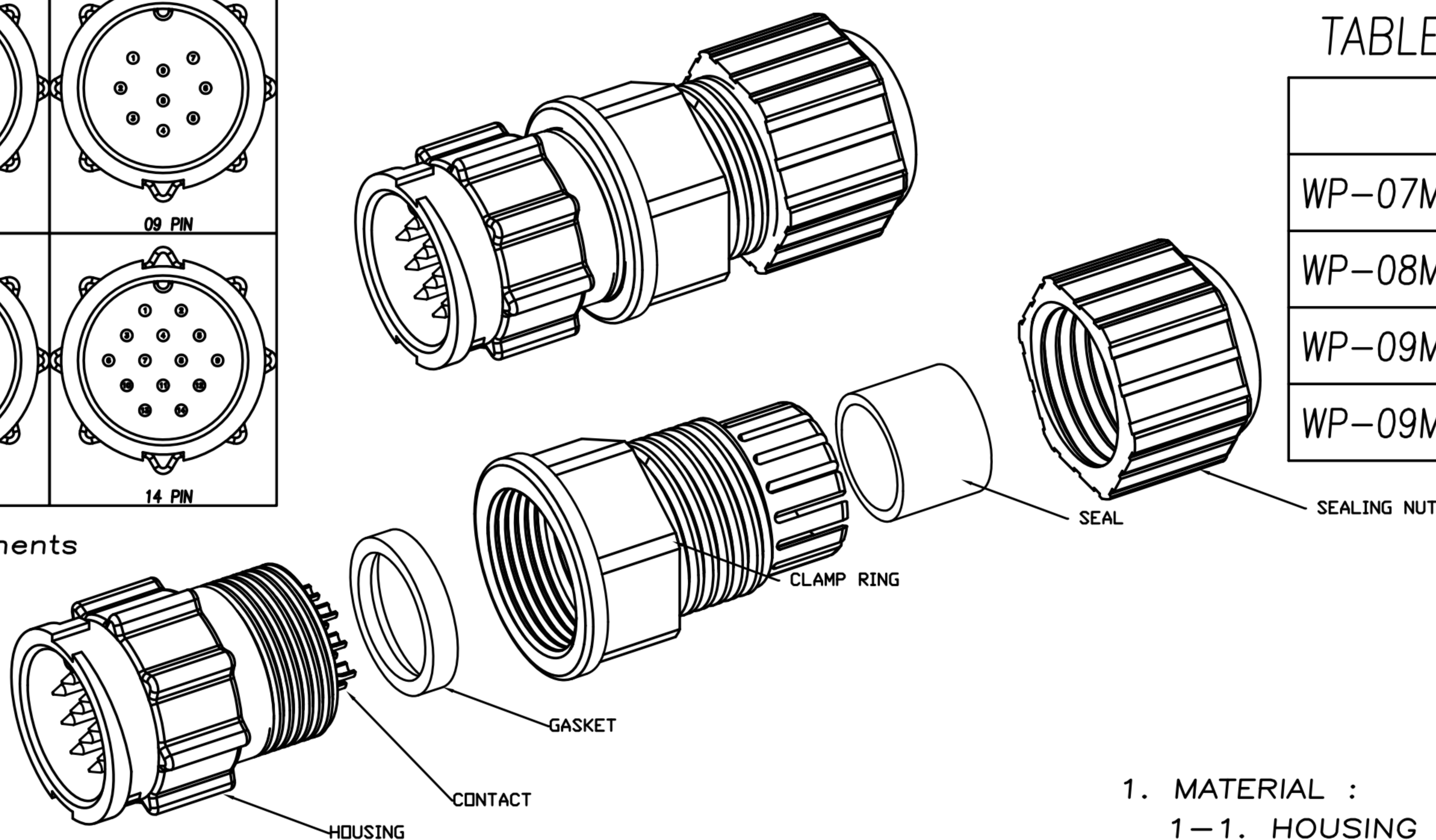
TABLE A



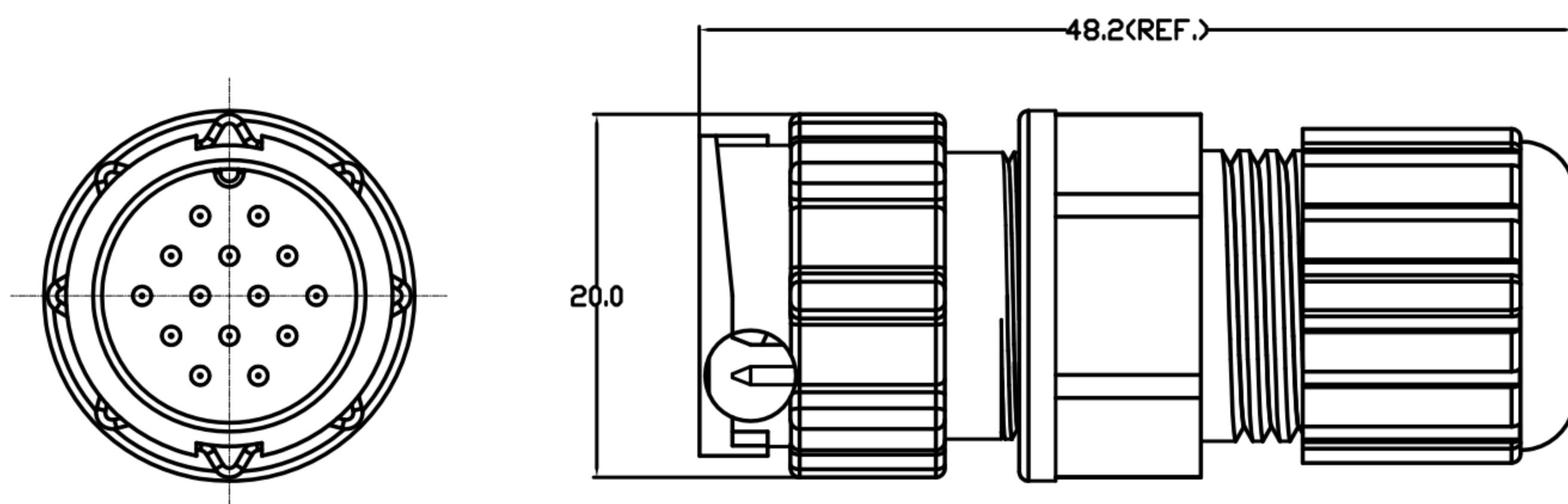
Pin Assignments  
Front View

TABLE A

P/N	CABLE ODφ
WP-07M2-20-11	φ6.5mm~φ7.6mm
WP-08M2-104-11	φ6.5mm~φ7.6mm
WP-09M2-19-11	φ6.5mm~φ7.6mm
WP-09M2-22-11	φ8.6MM~φ9.6MM



- MATERIAL :
  - 1-1. HOUSING : PA66
  - 1-2. CONTACT : BRASS
  - 1-3. GASKET : SILICONE
  - 1-4. CLAMP RING : PA66
  - 1-5. SEAL : SILICONE
  - 1-6. SEALING NUT : PA66
- FINISH :
  - 2-1. CONTACT : GOLD FLASH PLATED.
- ELECTRICAL SPECIFICATION :
  - 3-1. Rated current : 5A
  - 3-2. Rated Voltage : 250V
  - 3-3. Water proof : IP67
- Environmental :
  - 4-1. Operation Temperature : -40℃~105℃



DRAWN	Emily Suen	APP'D	Ku Chou	UNIT	mm	TOLERANCE			广东科斯达电子科技有限公司 GUANG DONG KE SI DA ELECTRONIC TECHNOLOGY CO., LTD.	TITLE	WP M CONN. M PIIN C SIZE ASSEMBLY TYPE(LOCK)-5A			SHEET	1/2
CHK'D	Ku Chou			SCALE	1:1	.x ±0.20 .xx ±0.10 .xxx ±0.05 .xxxx ±0.03 ANGULAR ±1°				PART NO.	SEE TABLE A	DWG NO.	QC9737	VERSION	A