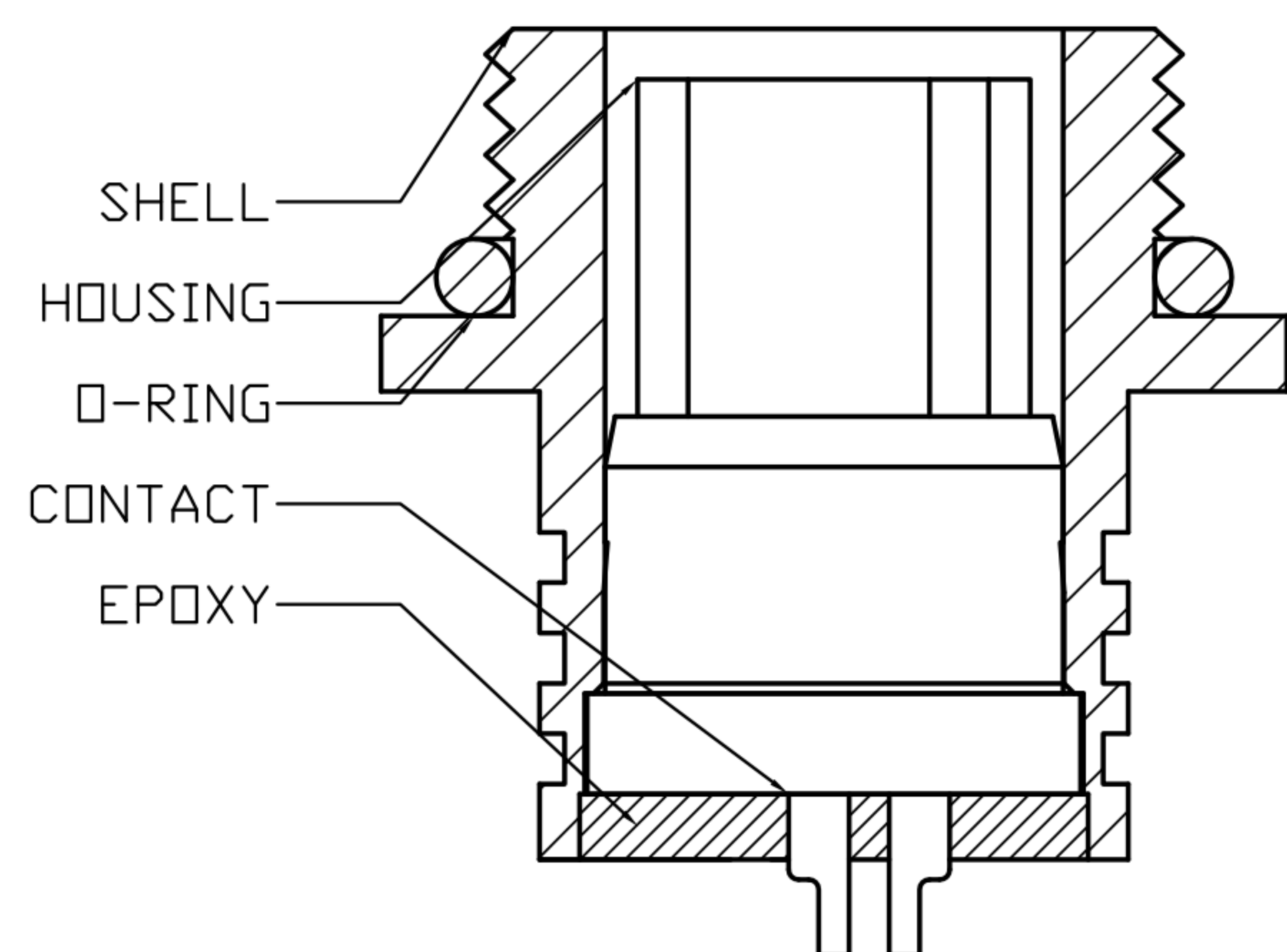
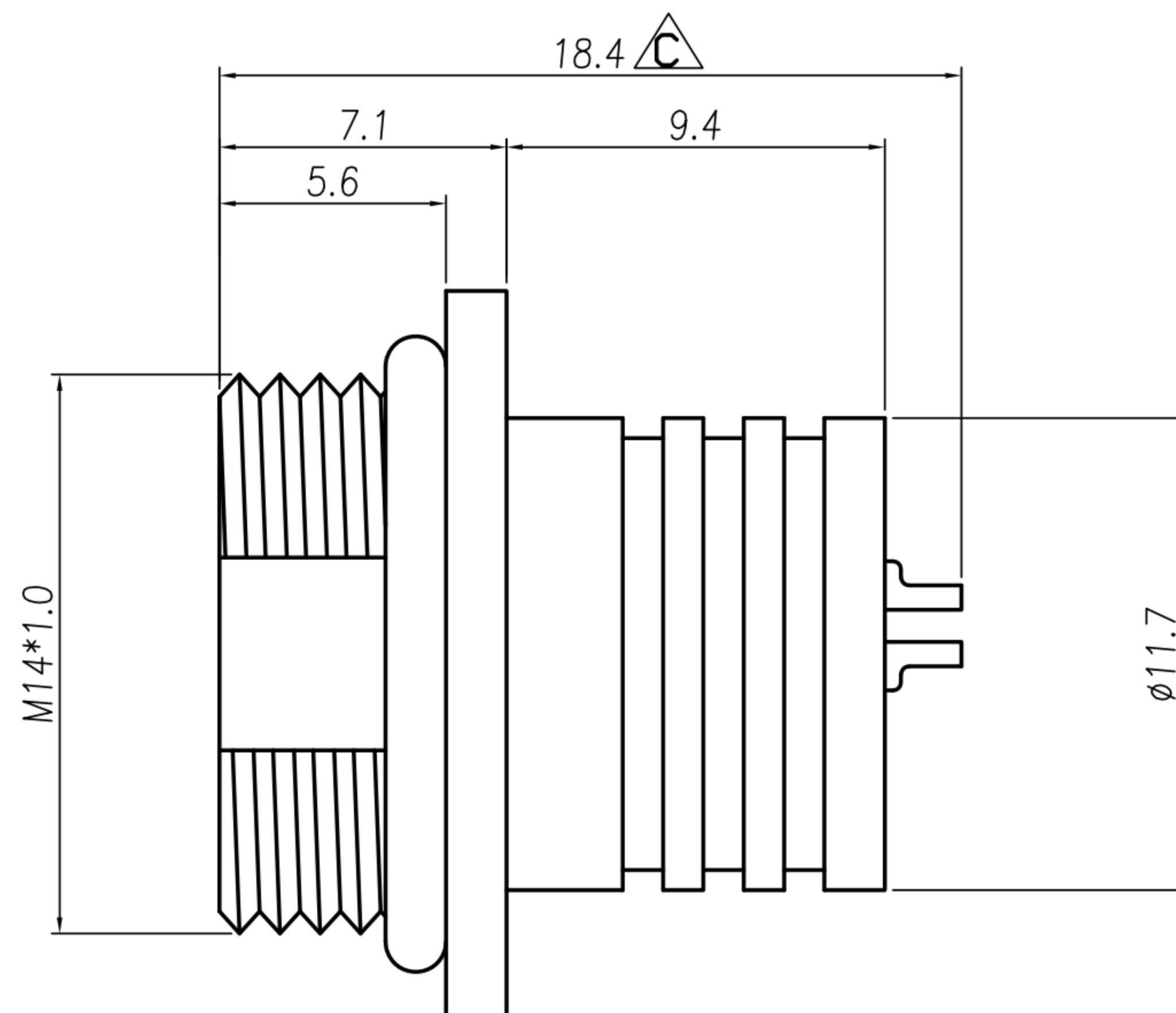
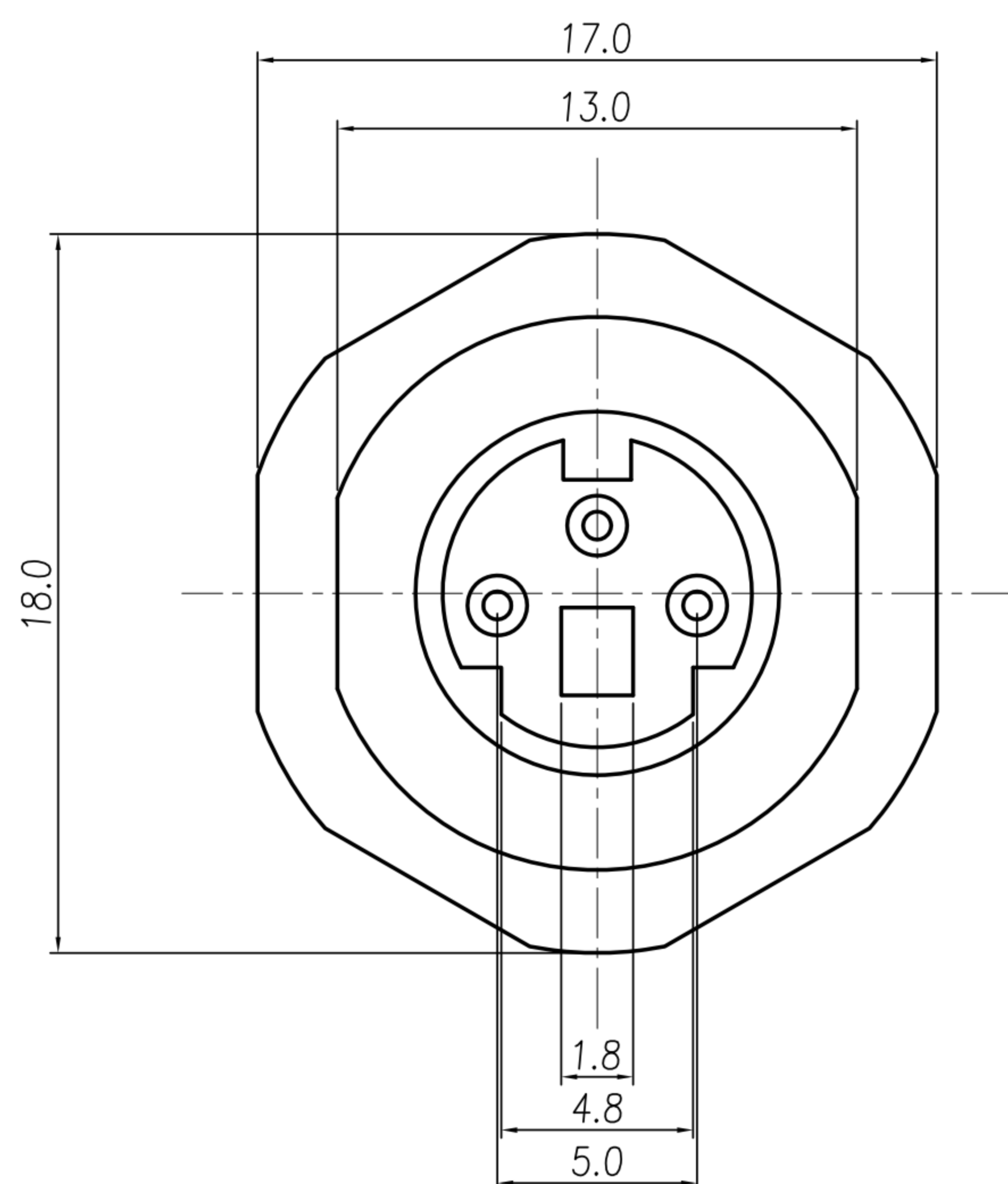


CUSTOMER DRAWING

REV.	DESCRIPTION	APPROVED BY	DATE	ECN NO.
A	RELEASE	Fido Weng	11/02/10'	
B	CHANGE DIM.	Emily Suen	08/09/11'	ECN11050
C	CHANGE DIM.	Emily Suen	12/01/17'	



1. MATERIAL :
 - 1-1. HOUSING : PBT UL94V-0 ; COLOR : BLACK
 - 1-2. CONTACT : PHOSPHOR BRONZE
 - 1-3. SHELL : BRASS
 - 1-4. O-RING : EPDM ; COLOR : BLACK
2. FINISH :
 - 2-1. CONTACT AREA : GOLD FLASH PLATED
SOLDER AREA : MATTE-TIN PLATED.
 - 2-2. SHELL : NICKEL PLATED.
3. ELECTRICAL SPECIFICATION :
 - 3-1. Rated current : 2A
 - 3-2. Rated Voltage : 12V
 - 3-3. Water proof : IPX7
4. Environmental :
 - 4-1. Operation Temperature : -20℃~85℃

DRAWN	Ku Chou	APP'D	Fido Weng	UNIT	mm	TOLERANCE		广东科斯达电子科技有限公司 GUANG DONG KE SI DA ELECTRONIC TECHNOLOGY CO., LTD.	TITLE	MiniDin 3(F)防水焊線式			SHEET	
CHK'D	Emily Suen			SCALE	1:1	.x ±0.20 .xx ±0.10 .xxx ±0.05 .xxxx ±0.03 ANGULA ±1°			PART NO.	MD-03F1-07	DWG NO.	QC4651	VERSION	