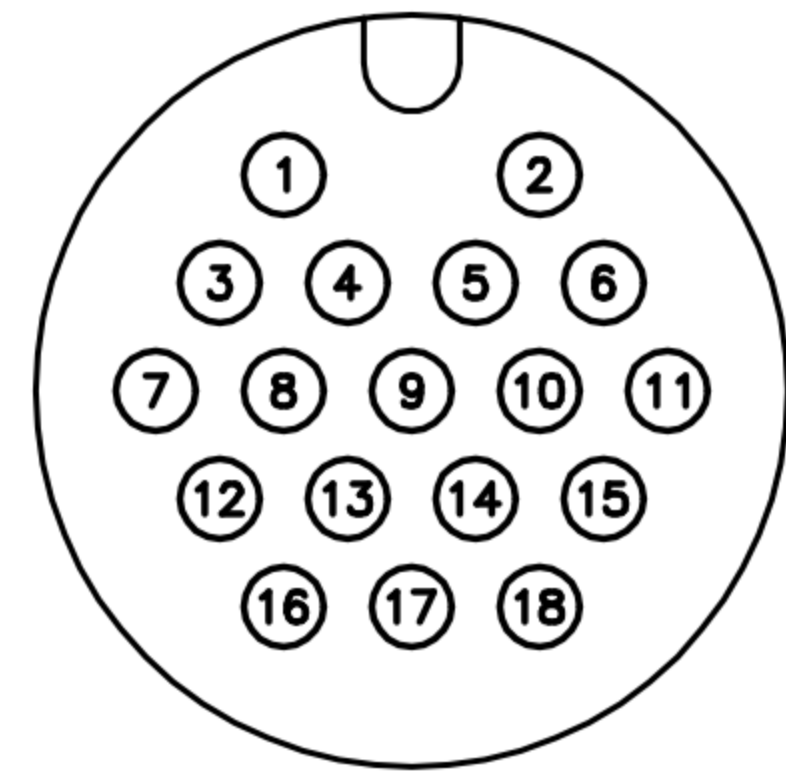
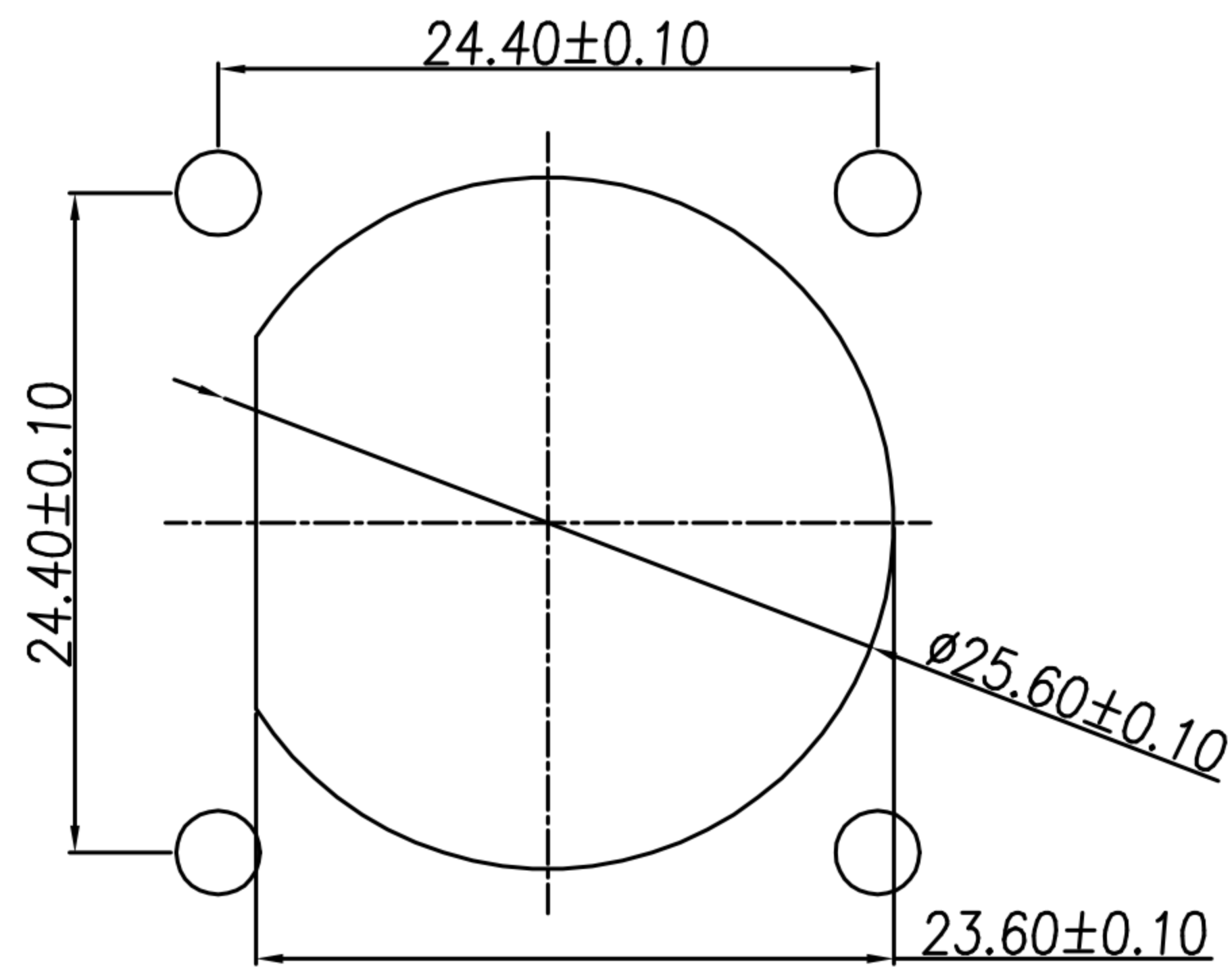
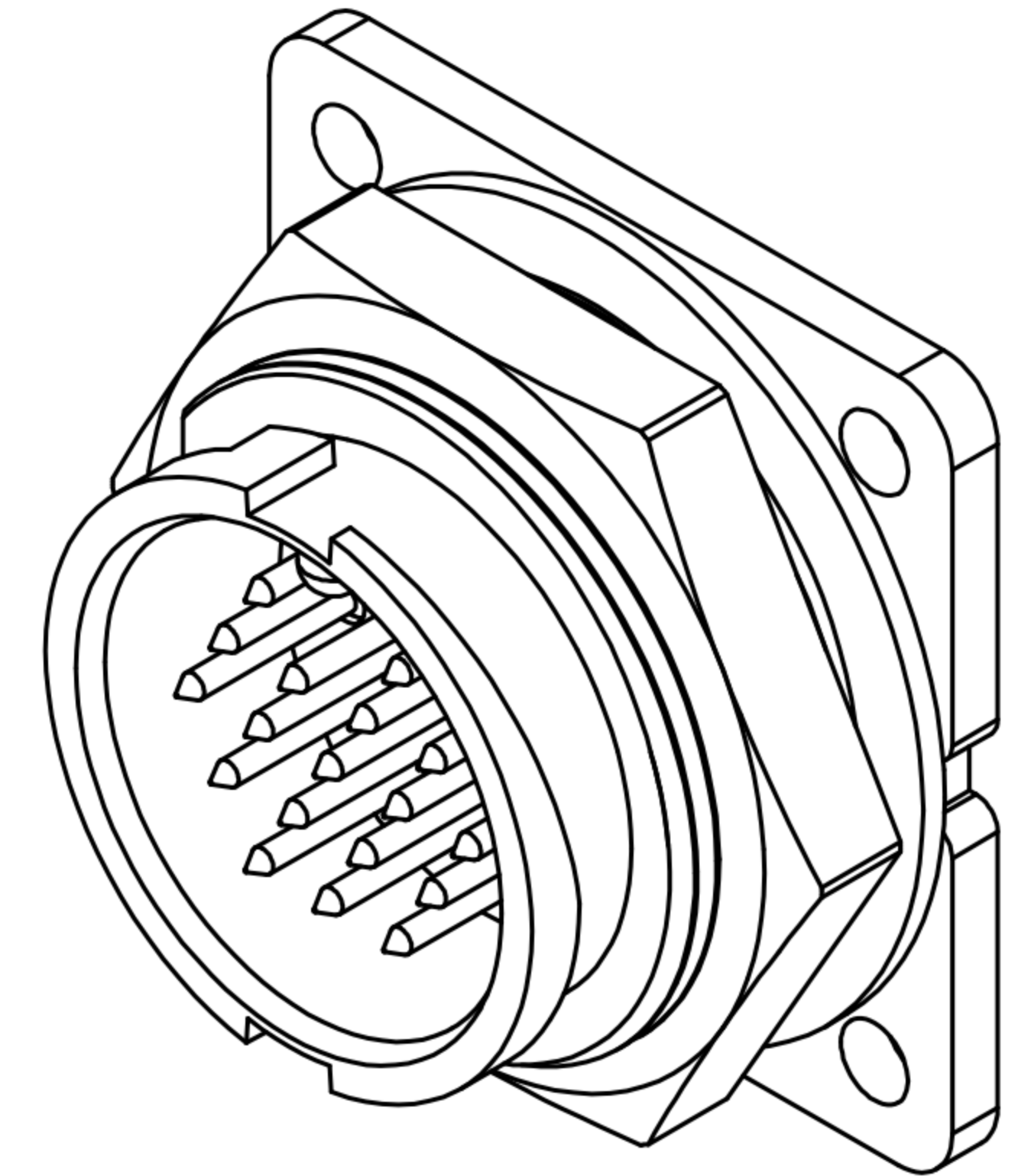
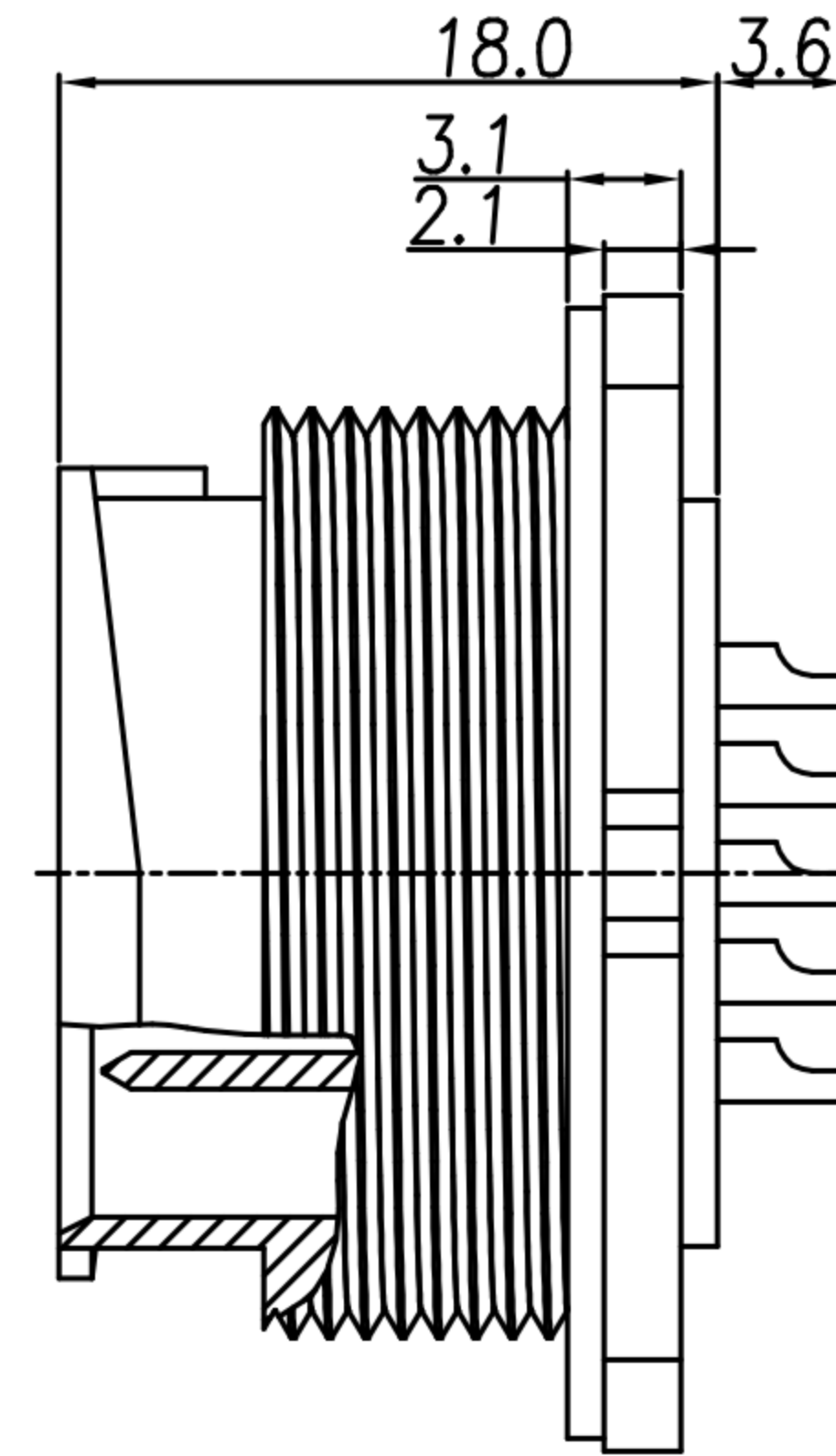
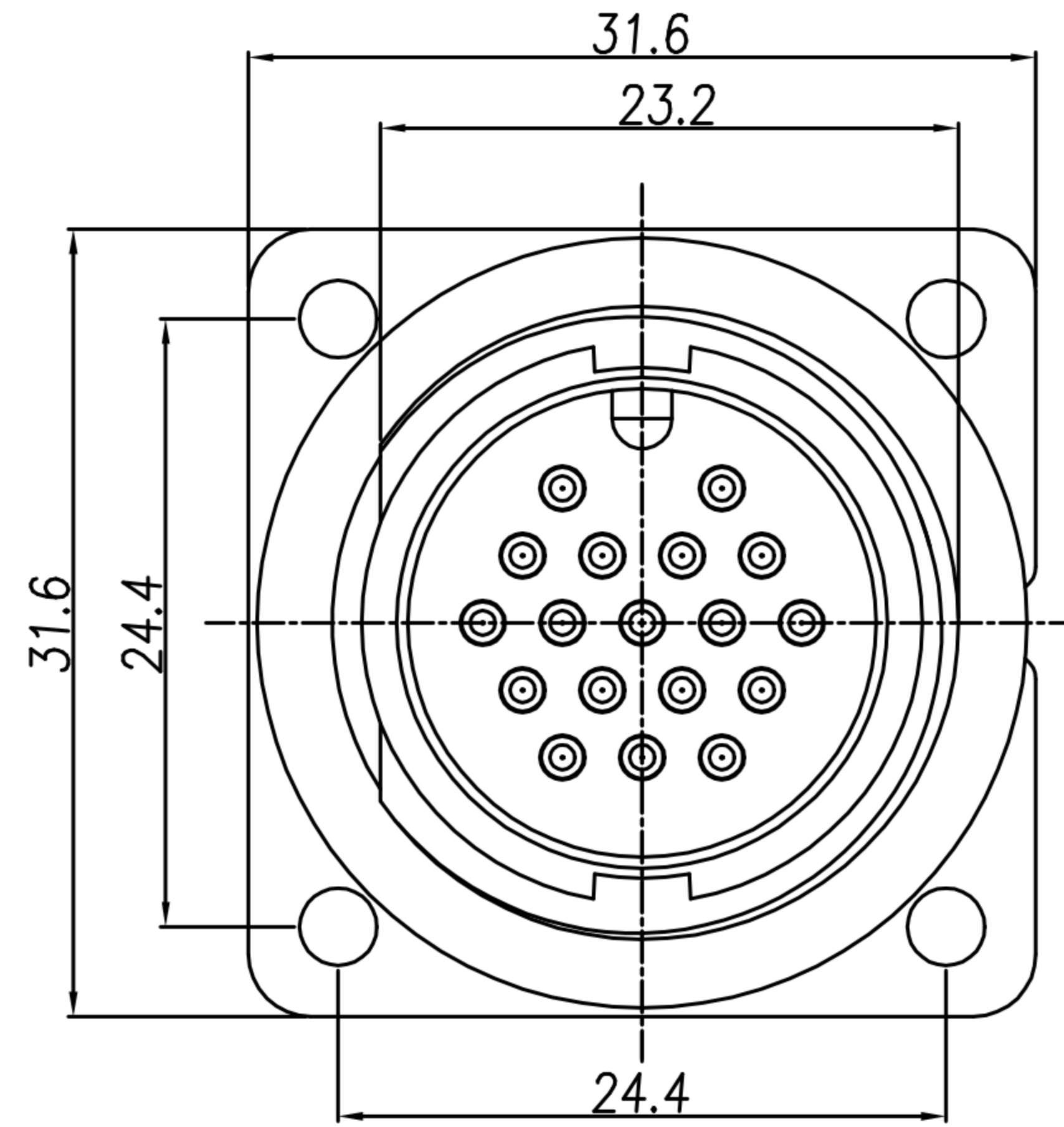


CUSTOMER DRAWING

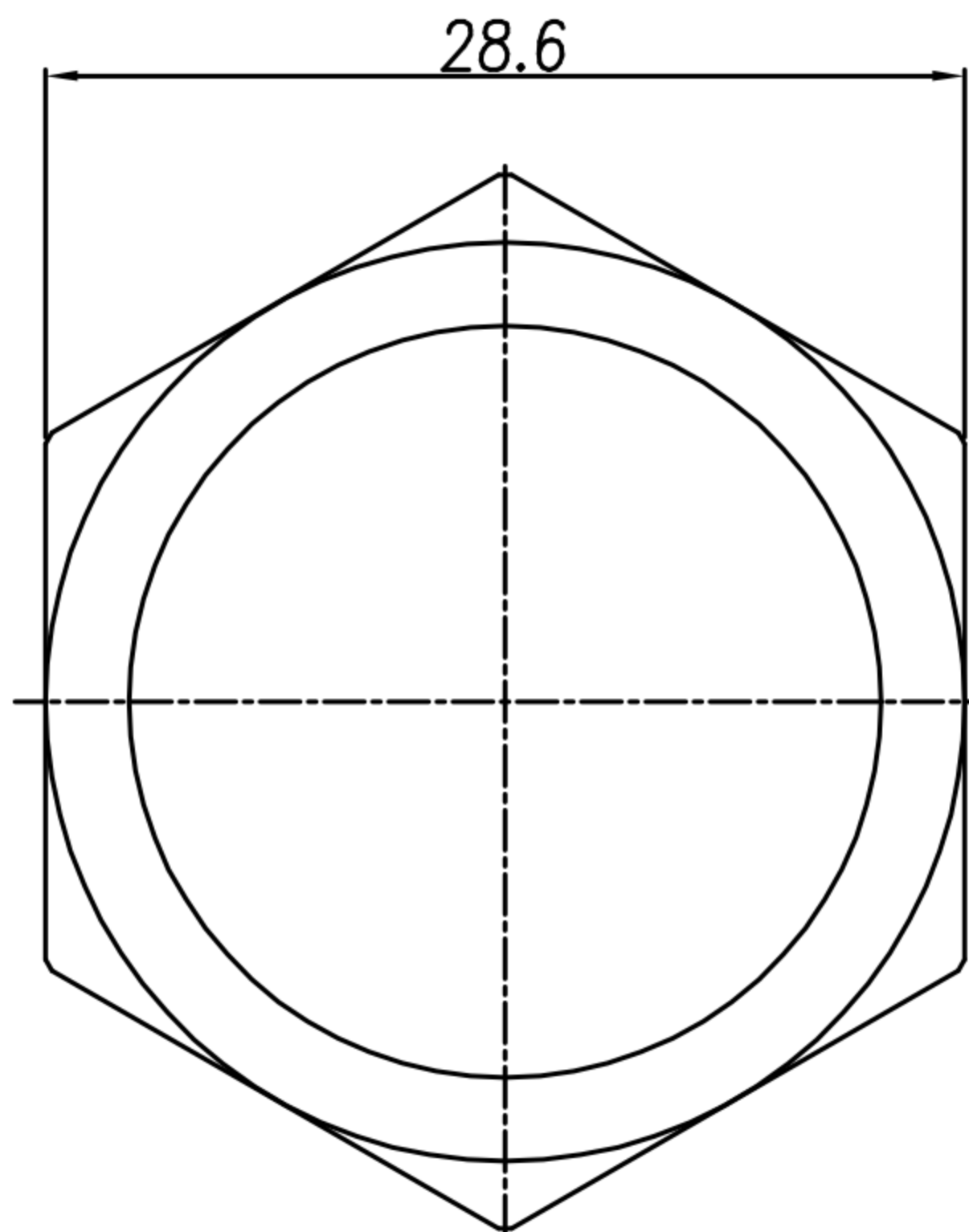
REV.	DESCRIPTION	APPROVED BY	DATE	ECN NO.
△A	RELEASE	Yeh Chou	2017/09/07	
△B	增加密視圖 & 修正墊圈材質與電度規格	Ku Chou	02/05/18'	
△C				



PIN CONFIGURATION



RECOMMEND PANEL HOLE



Hex Nut



1. MATERIAL :
 - 1-1. HOUSING : PA66
 - 1-2. CONTACT : BRASS
 - △ 1-3. GASKET : SILICONE
 - 1-4. HEX NUT : PA66
2. FINISH :
 - △ 2-1. CONTACT : GOLD FLASH PLATED
3. ELECTRICAL SPECIFICATION :
 - 3-1. Rated current : 5A
 - 3-2. Rated Voltage : 300V
4. Environmental :
 - 4-1. Operation Temperature : -40℃~105℃

DRAWN	Yeh Chou	APP'D	KU Chou	UNIT	mm	TOLERANCE			TITLE	D SIZE 18P (M) 快鎖杯口焊線式 (方型槽板)			SHEET	1
CHK'D	KU Chou			SCALE	1:1	.x ±0.20 .xx ±0.10 .xxx ±0.05 .xxxx ±0.03 ANGULA ±1°			PART NO.	WP-18M2-04-11	DWG NO.	QC7878	VERSION	B

广东科斯达电子科技有限公司
GUANG DONG KE SI DA ELECTRONIC TECHNOLOGY CO., LTD.