

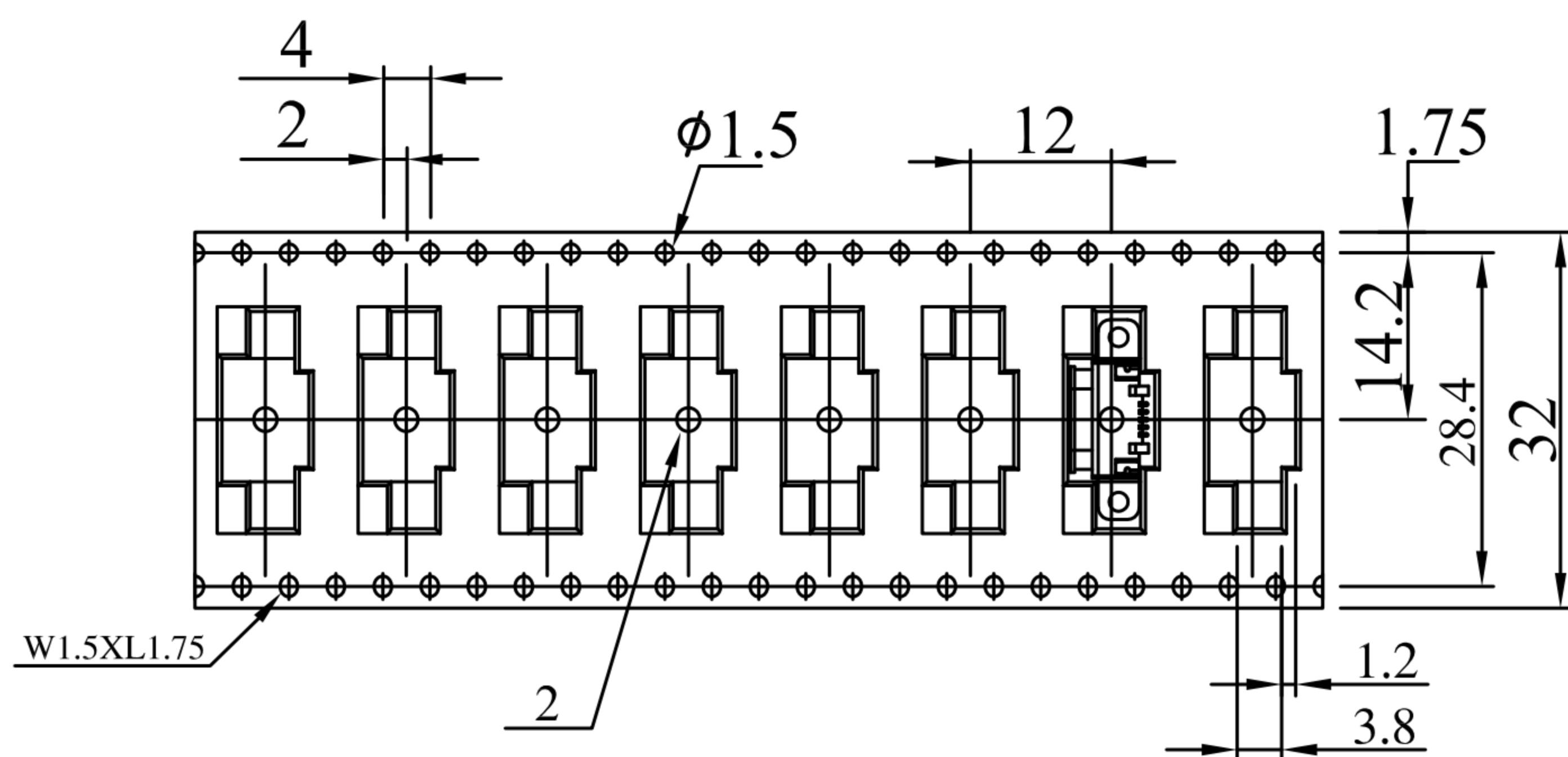
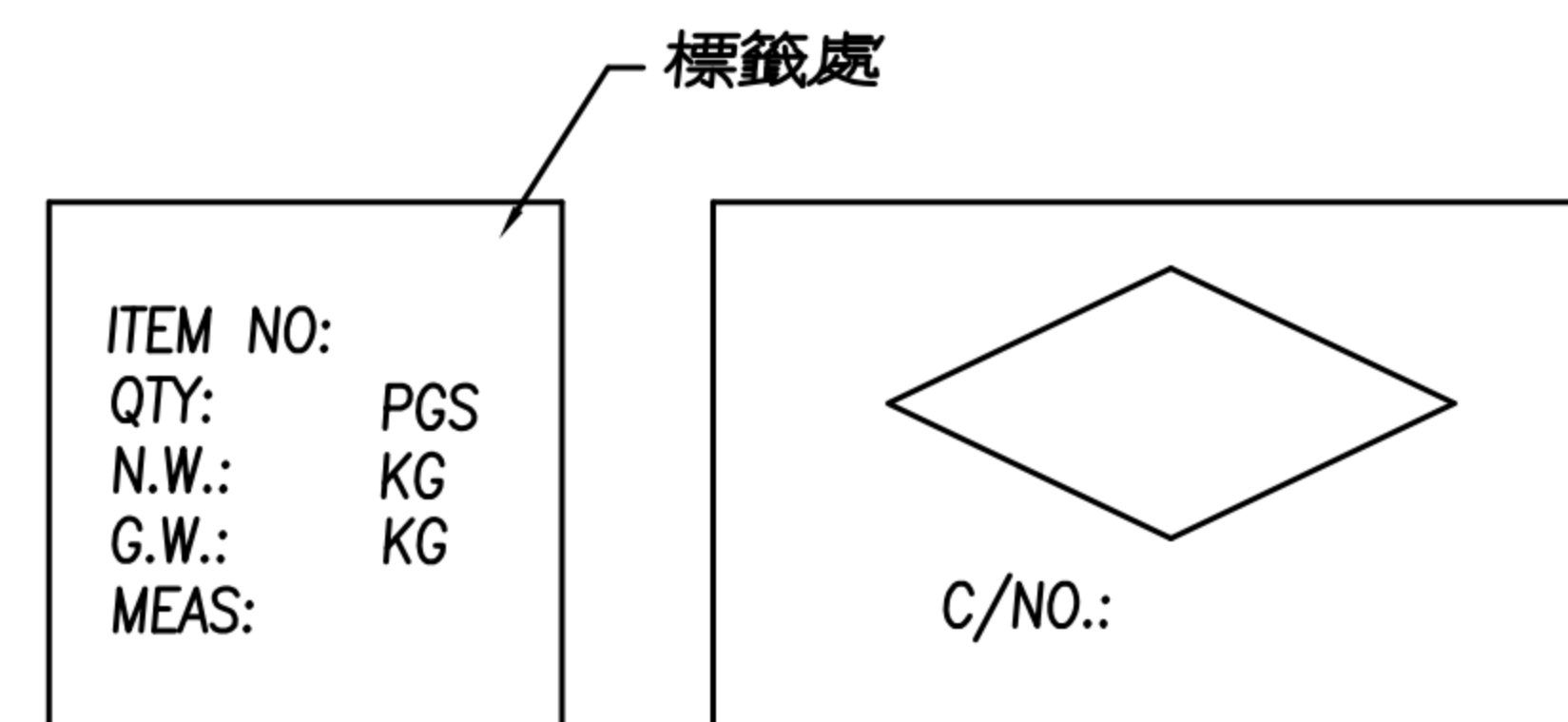
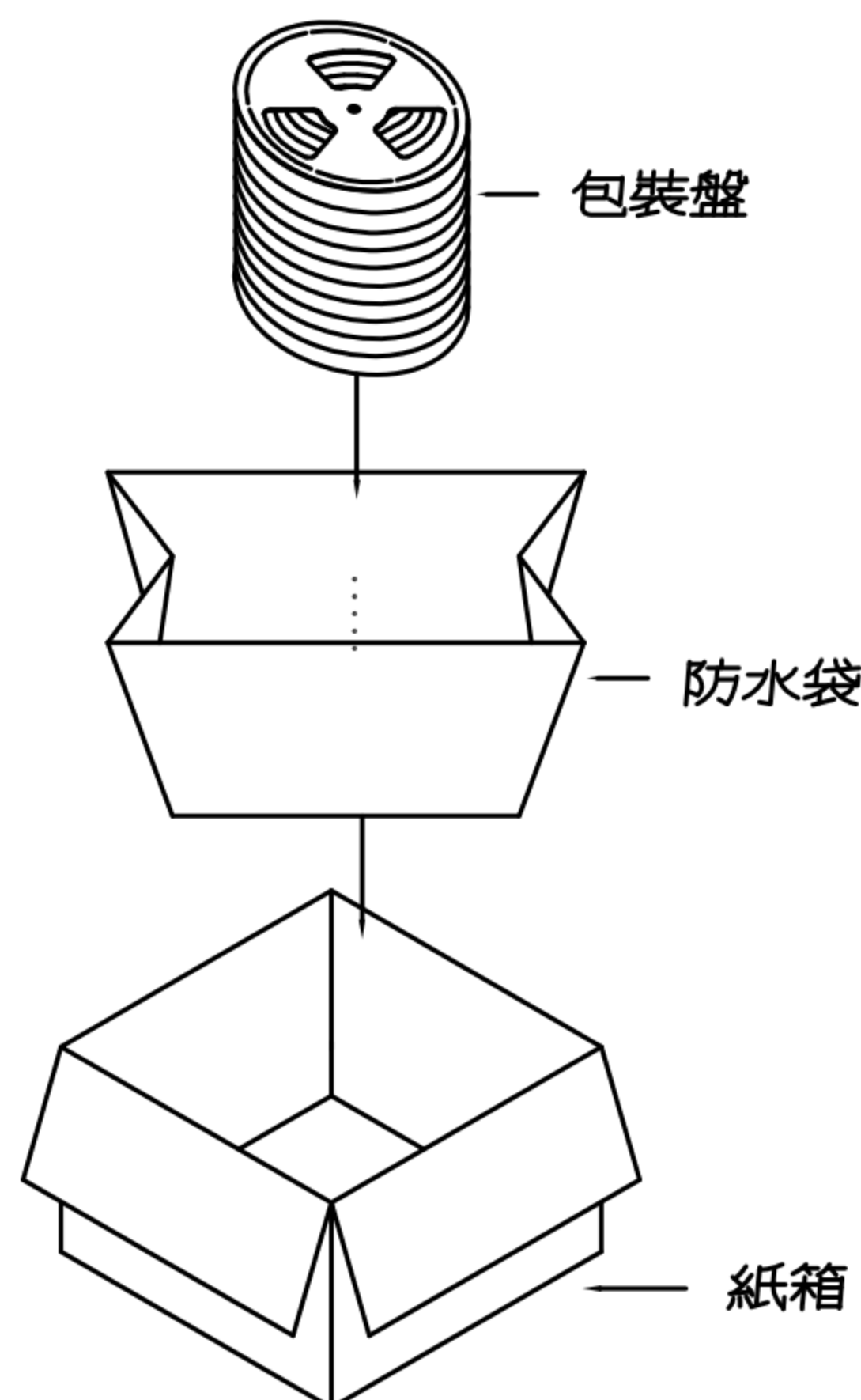
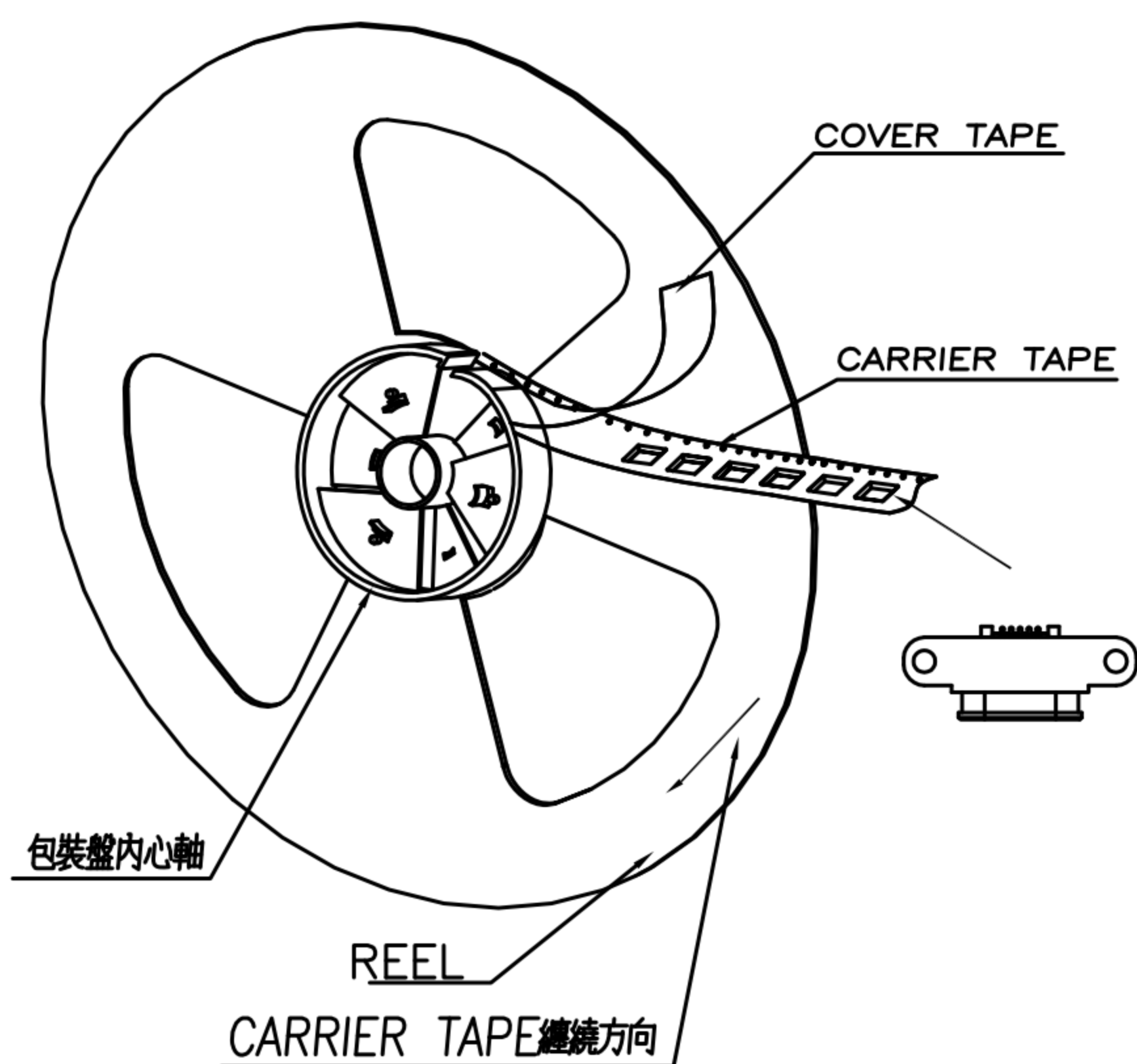
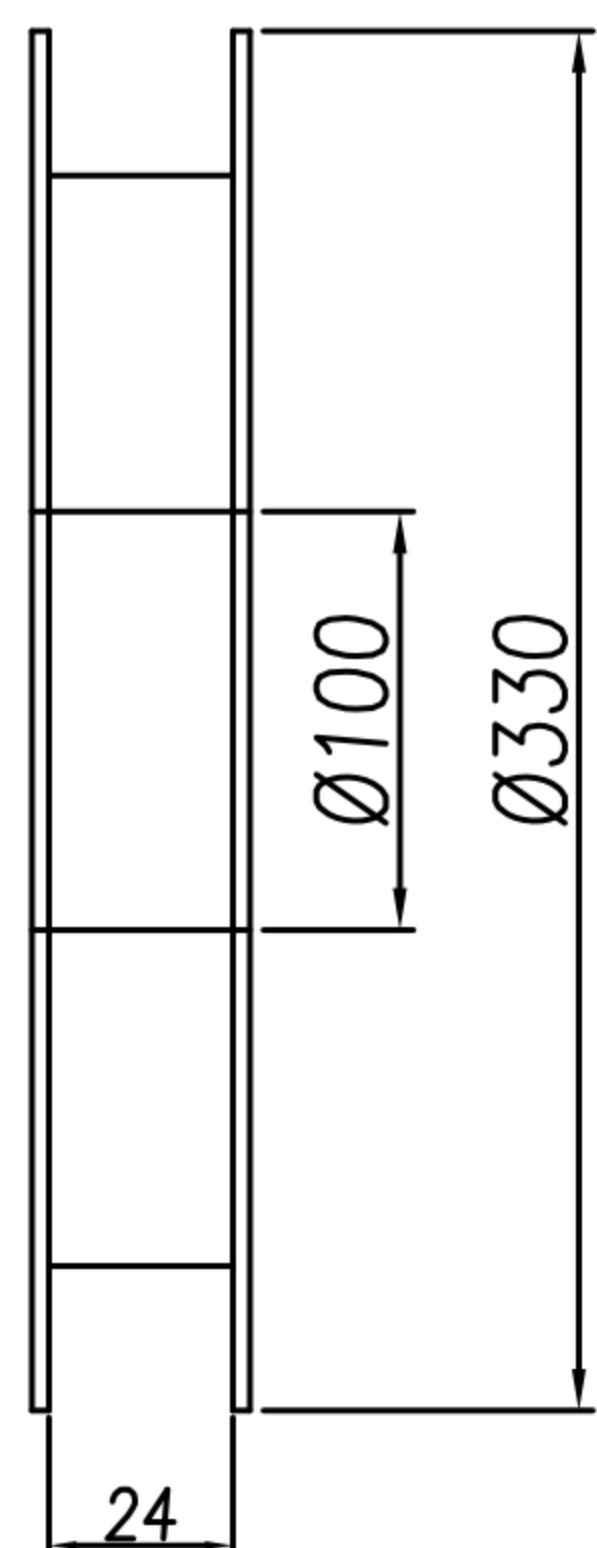
CUSTOMER DRAWING

REV.	DESCRIPTION	APPVL. BY	DATE	ECN NO.
A	RELEASE	Fido Weng	08/03/09"	
B	RELEASE	Fido Weng	26/01/10"	
C				

- 步驟一:
- 將成品一一放入包裝盤內,依同一方向置入.
 - 包裝方式,如圖所示.
 - 一個包裝盤 1100pcs.

- 步驟二:
- 一個紙箱可以裝 10 個包裝盤.
 - 每盤 1100pcs,每箱 11000pcs.
 - 將包裝盤放入防水袋中,包裝完後再封箱.

- 步驟三:
- 用膠帶將紙箱封實.
 - 將標籤貼於紙箱上.

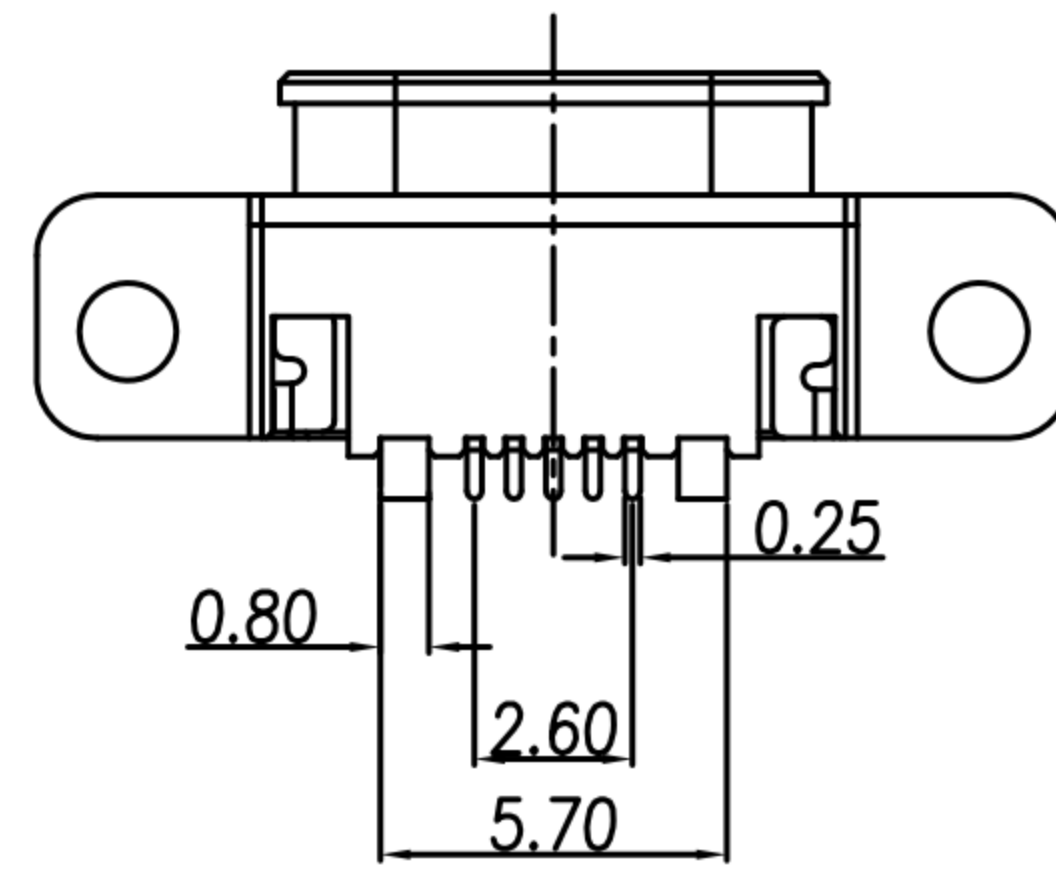
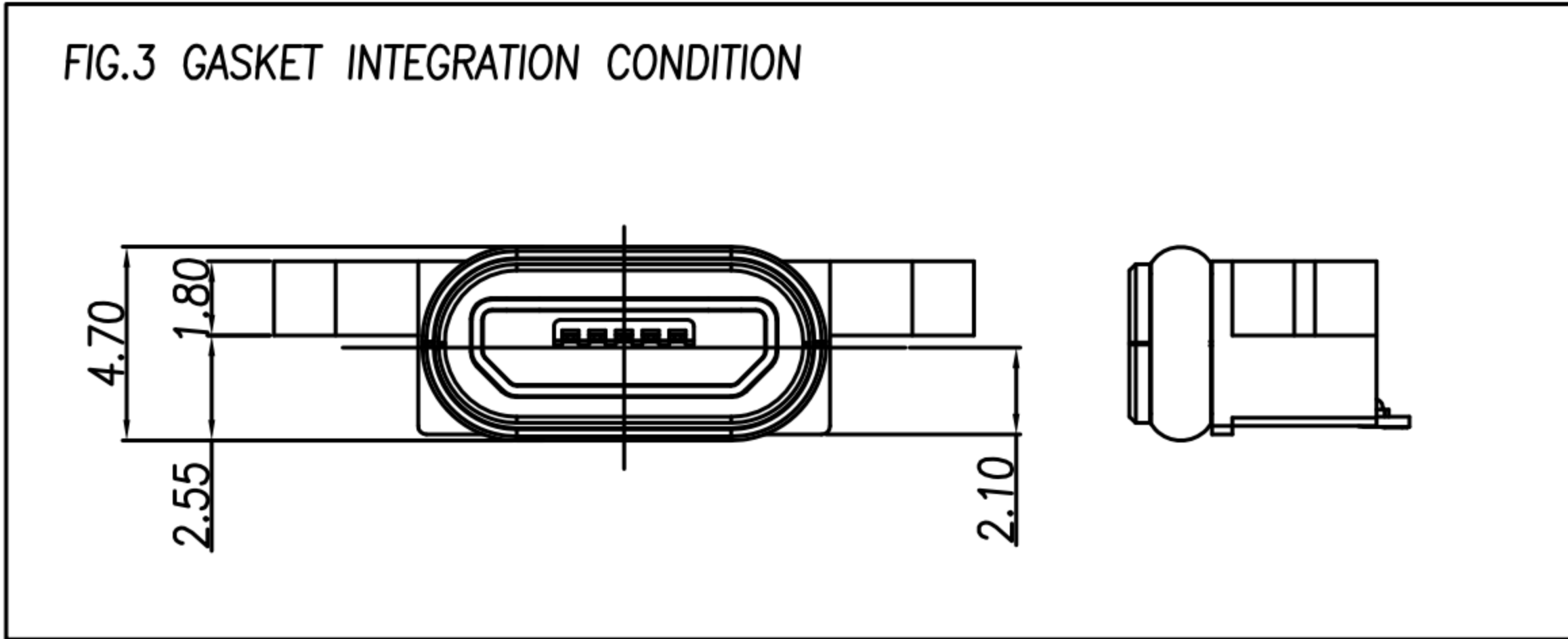
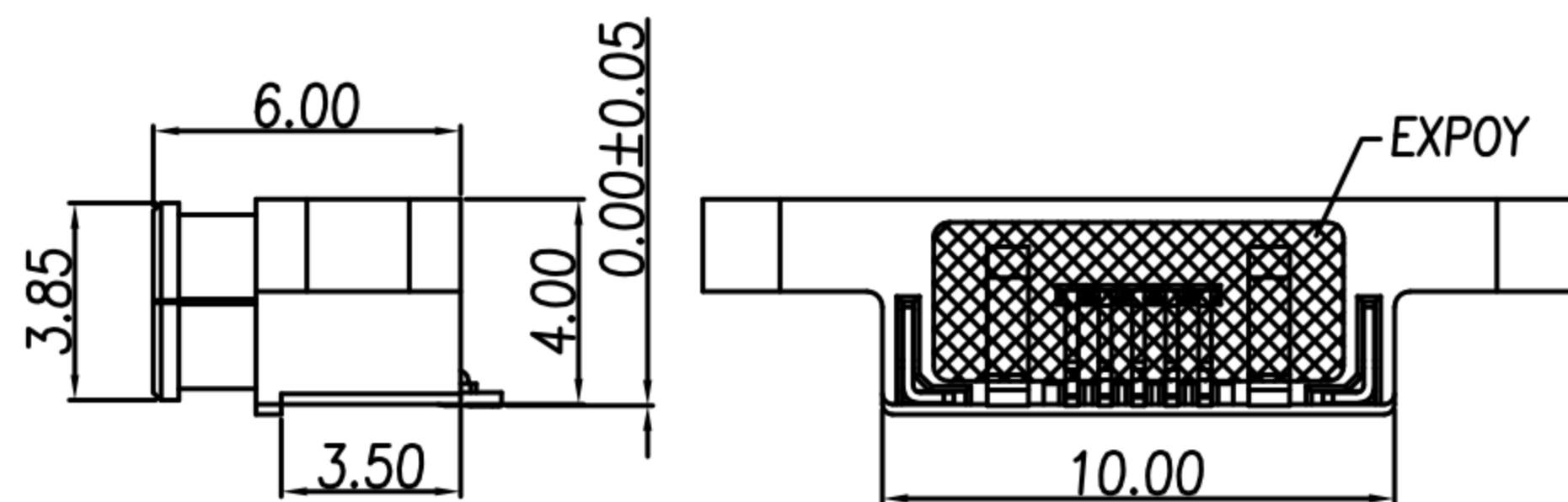
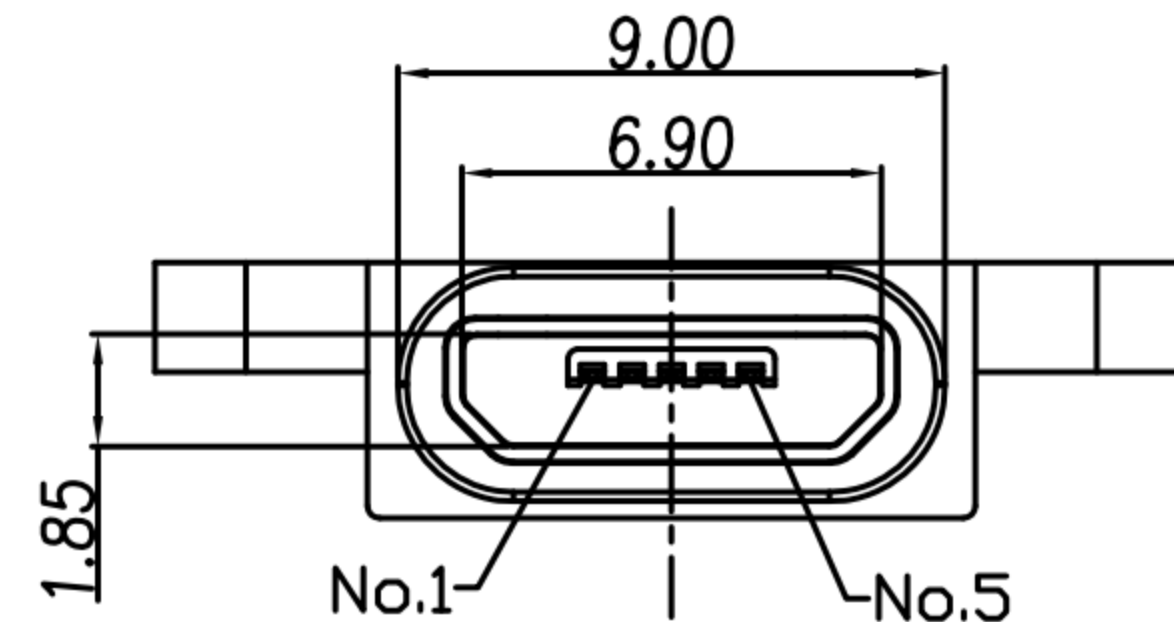
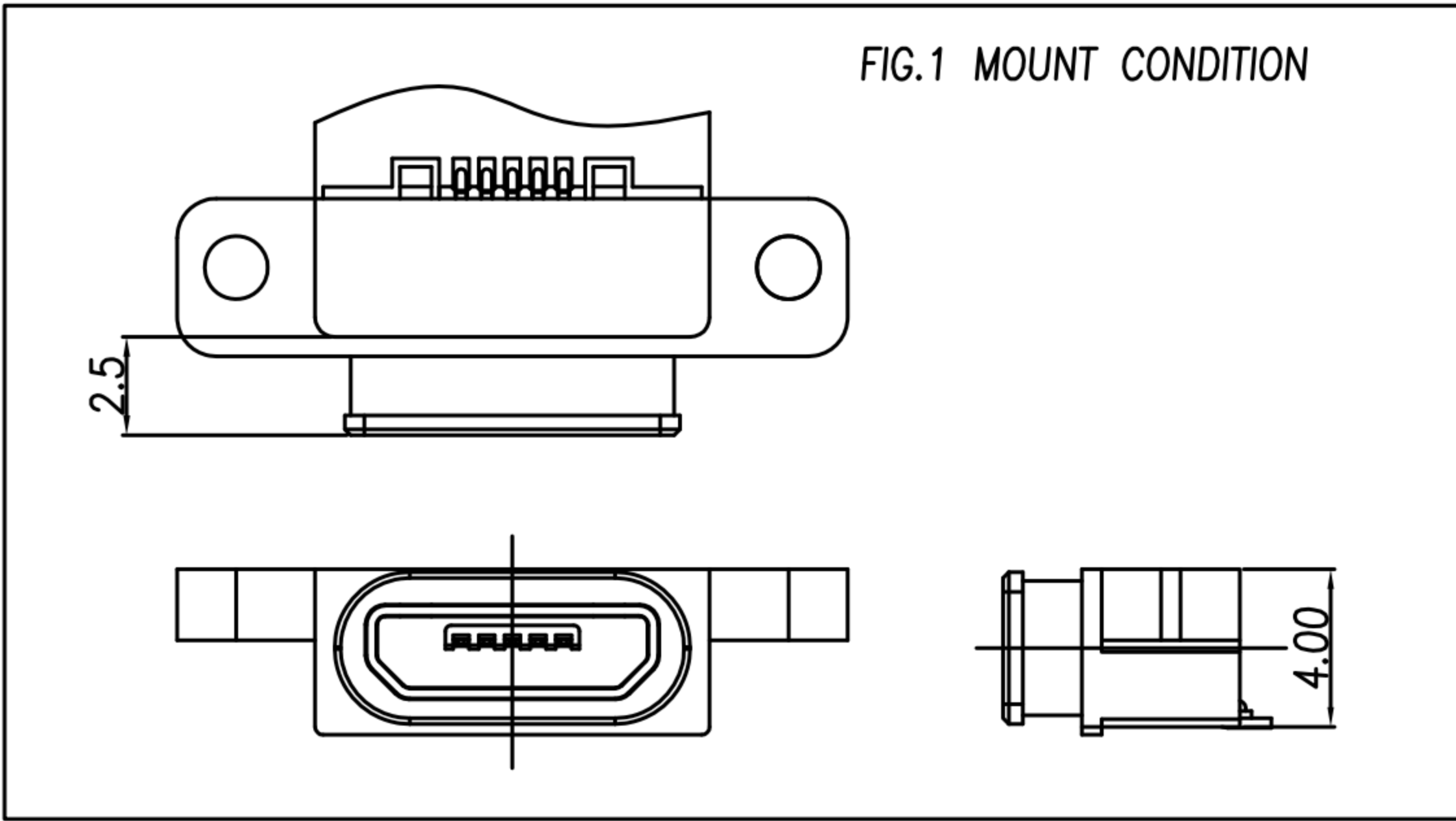
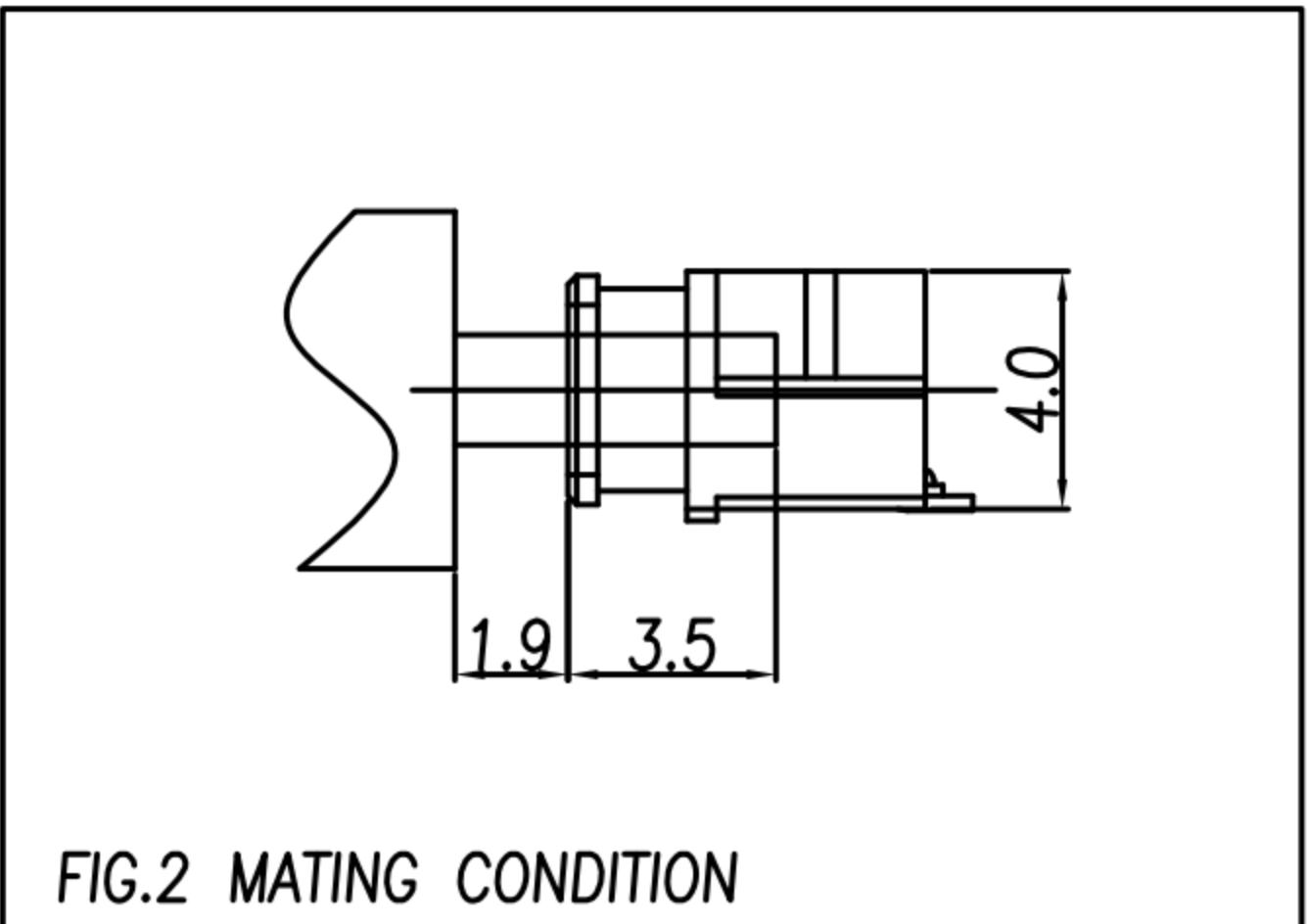
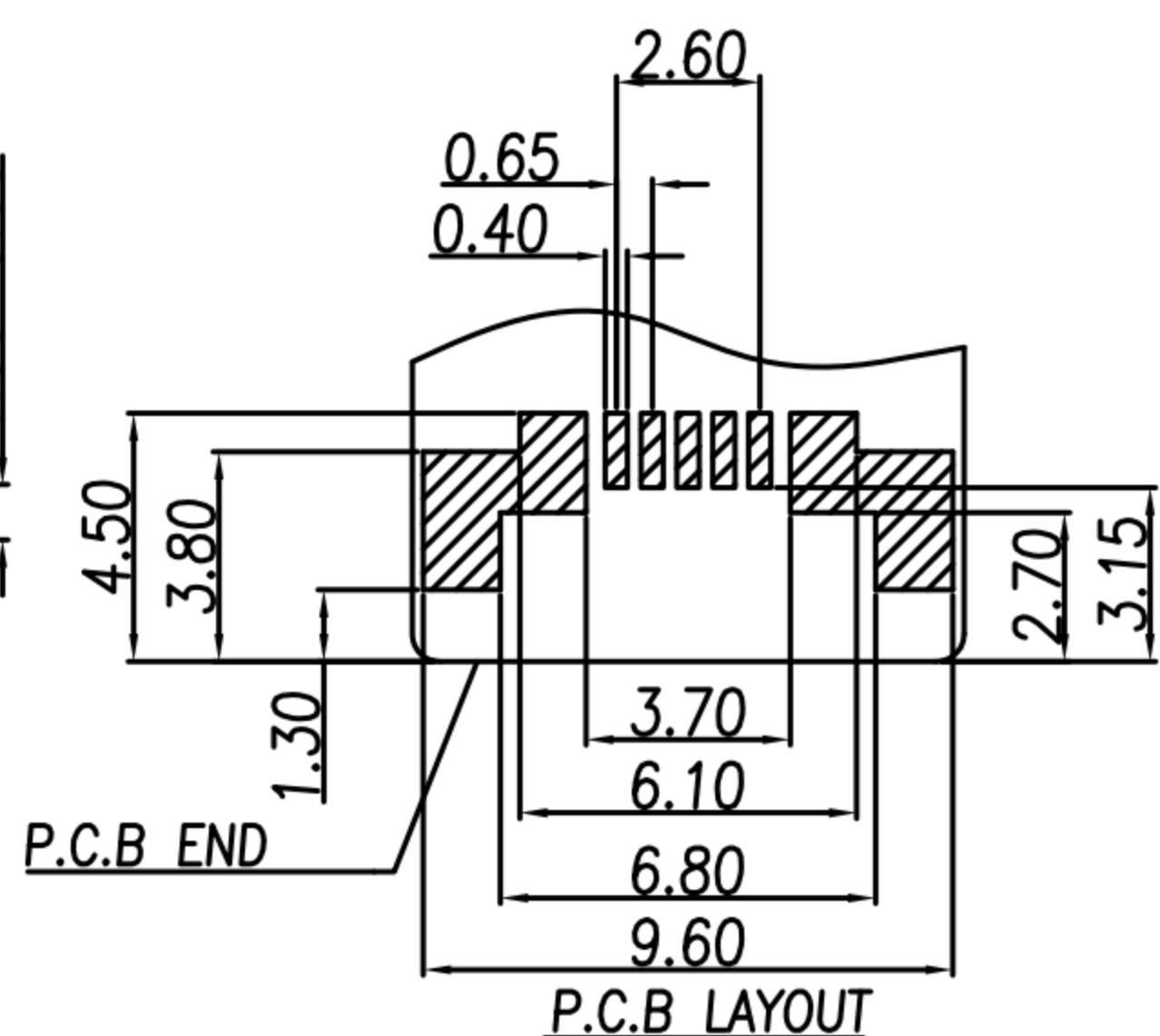
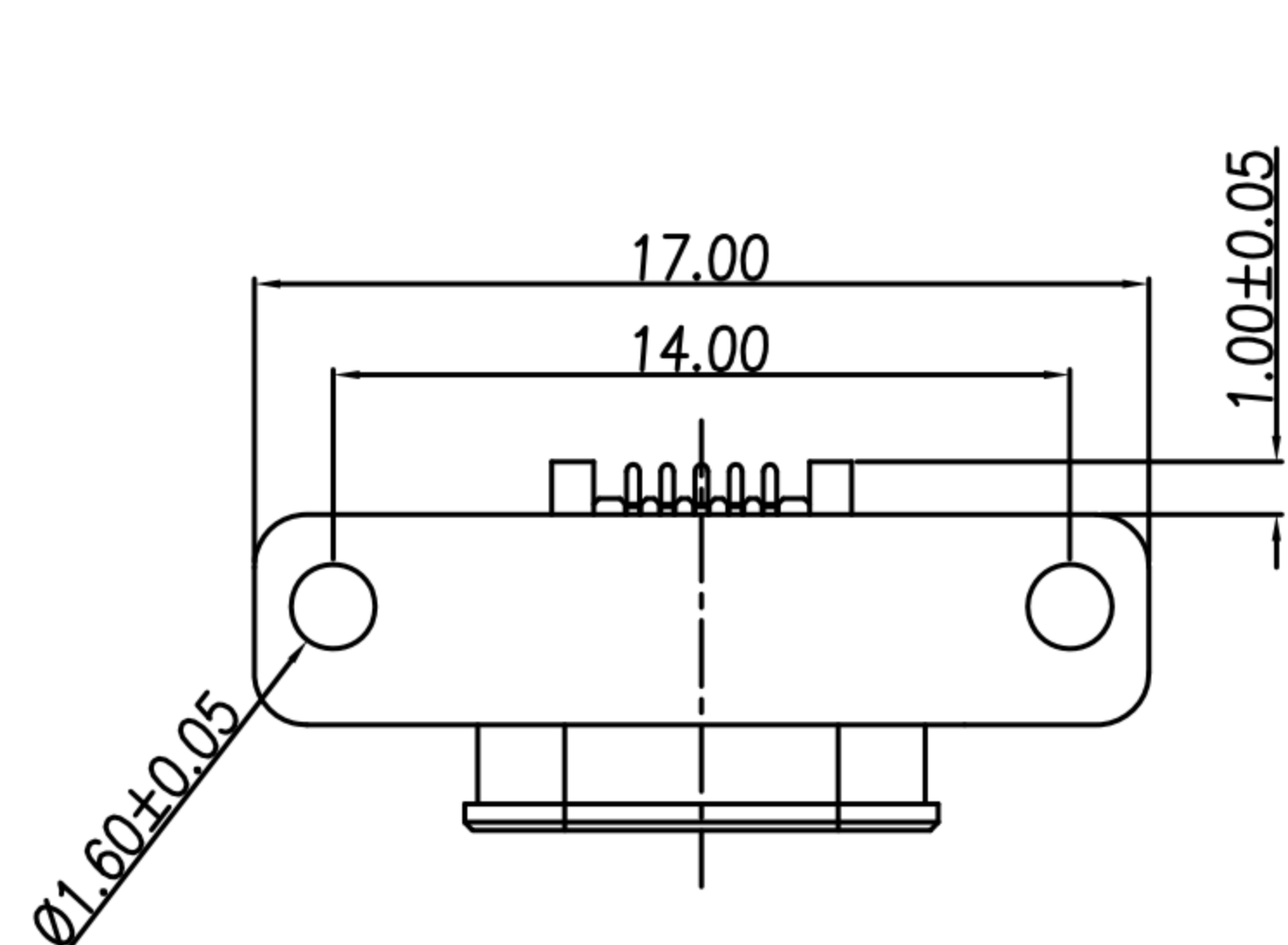


- NOTE:
- 若有未裝滿之零數箱,必須以緩衝材塞滿.
 - 在搬運過程中要輕拿輕放.
 - 載運輸中不可堆放過多,不可有重壓現象.
 - 在裝滿產品後,必須空留帶前和帶後 10 格以上,然後用紙膠布貼上.
 - 上帶在貼下帶時必須平整,且黏貼處不要出現氣泡.

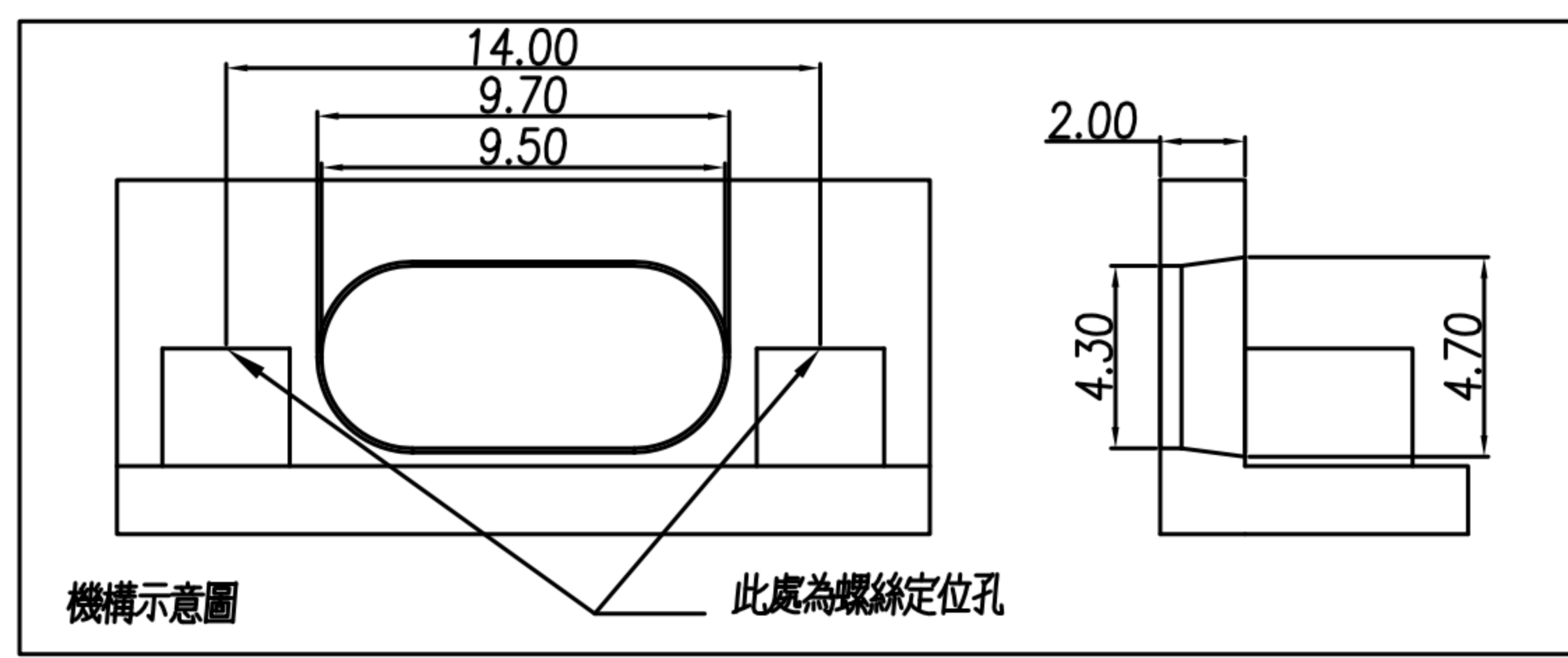
DRAW	Ren Liao	APPVL	Fido Weng	UNIT	mm	TOLERANCE			TITLE	waterproof micro usb 5P(F) SMT(增加寬)			SHEET	2
CHECK	Emily Suen			SCALE	1:1	.x ±0.20 .xx ±0.10 .xxx ±0.05 .xxx ±0.03 ANGULA ±1°			PART NO.	WP-05F2-102-11	DWG NO.	QC7178	VERSION	B

CUSTOMER DRAWING

REV.	DESCRIPTION	APPROVED BY	DATE	ECN NO.
A				
B				
C				



- NOTE:**
1. MATERIAL :
 - 1-1. HOUSING : LCP UL94V-0 ; COLOR : BLACK
 - 1-2. CONTACT : PHOSPHOR BRONZE
 - 1-3. SHELL : STAINLESS STEEL
 - 1-4. O-RING : SILICON
 - 1-5. PAD : BRASS
 2. FINISH :
 - 2-1. CONTACT : CONTACT AREA : GOLD 10u"
GOLD FLASH ON OTHER AREA
UNDERPLATED : NICKEL 50u"
 - 2-2. SHELL : MATTE TIN PLATED
 - 2-3. PAD : MATTE TIN PLATED
 3. ELECTRICAL SPECIFICATION :
 - 3-1. CONTACT CURRENT RATING : 1.8A (ONLY PIN1&5) ; OTHER 0.5A (ONLY PIN2,3&4)
 - 3-2. CONTACT VOLTAGE RATING : 30V
 - 3-3. CONTACT RESISTANCE : 30m Ohm MAX
 - 3-4. INSULATION RESISTANCE : 100M Ohm MIN AT DC 500V.
 - 3-5. DIELECTRIC WITHSTANDING VOLTAGE : AC 100V AC/1 MINUTE 10mA.
 - 3-6. WATERPROOF : IPX7
 4. Environmental :
 - 4-1. Operation Temperature : -40~85°



DRAWN	Yeh Chou	APPEND	Emily Suen	UNIT	mm	TOLERANCE			TITLE	waterproof micro usb 5P(F) SMT(翻加)			SHEET
CHOKED	Emily Suen			SCALE	1:1	.x ±0.20 .xx ±0.10 .xxx ±0.05 .xxxx ±0.03 ANGULA ±1°			PART NO.	WP-05F2-102-11	DWG NO.	QC7178	VERSION