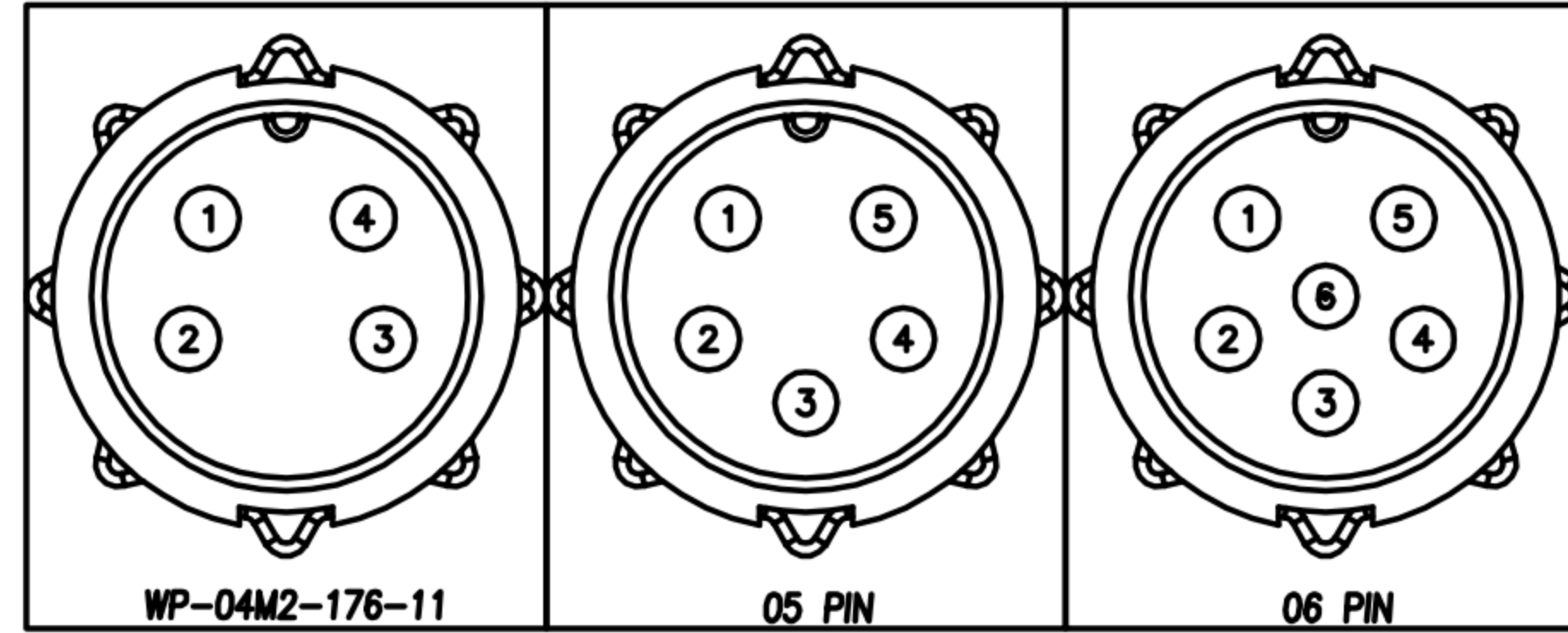


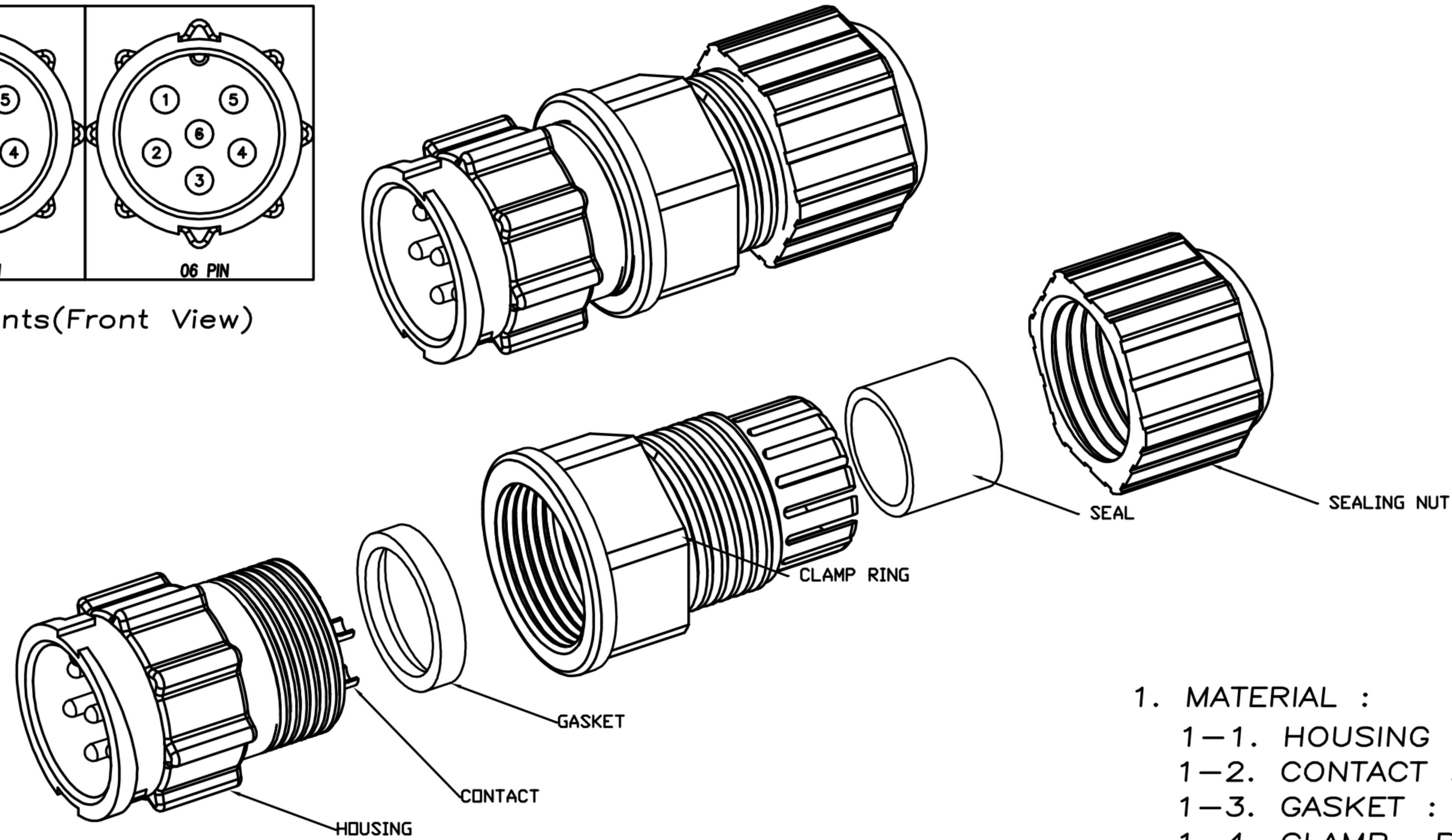
CUSTOMER DRAWING

| REV. | DESCRIPTION | APPROVED BY | DATE | ECN NO. |
|------|-------------|-------------|-----------|---------|
| △A | RELEASE | Ku Chou | 20/11/18' | |
| △B | | | | |
| △C | | | | |

TABLE A



Pin Assignments(Front View)



1. MATERIAL :

- 1-1. HOUSING : PA66
- 1-2. CONTACT : BRASS
- 1-3. GASKET : SILICONE
- 1-4. CLAMP RING : PA66
- 1-5. SEAL : SILICONE
CABLE OD ϕ ϕ 6.5mm~ ϕ 7.6mm
- 1-6. SEALING NUT : PA66

2. FINISH :

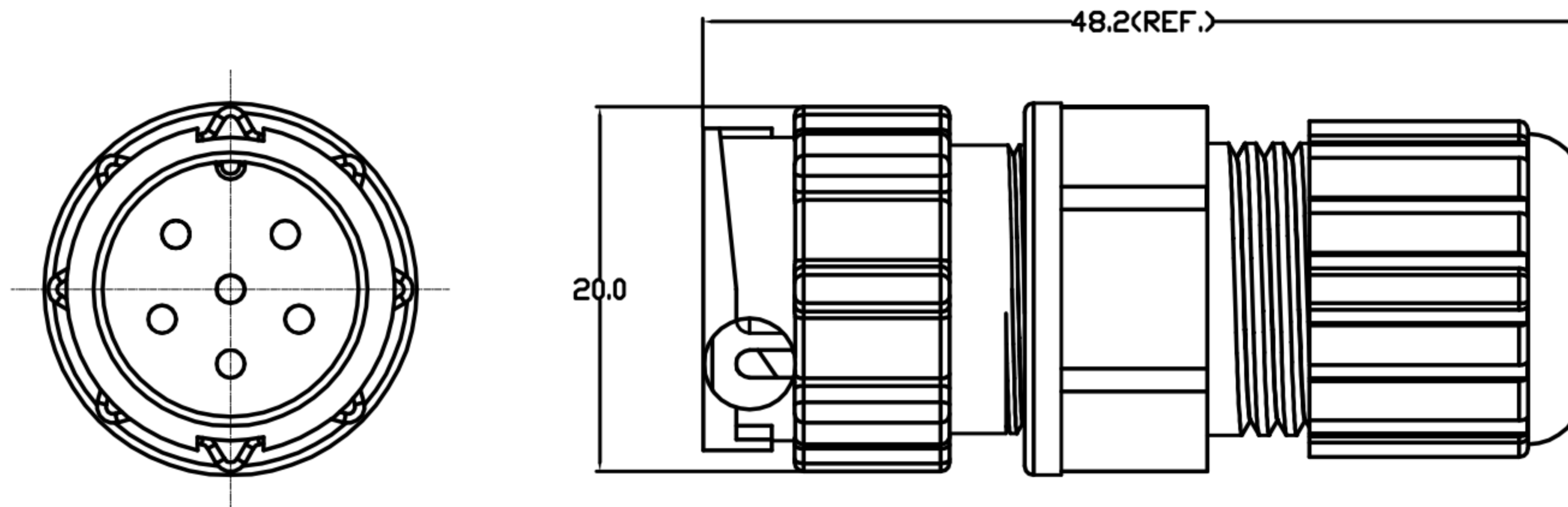
- 2-1. CONTACT : GOLD FLASH PLATED.

3. ELECTRICAL SPECIFICATION :

- 3-1. Rated current : 10A
- 3-2. Rated Voltage : 250V
- 3-3. Water proof : IP67

4. Environmental :

- 4-1. Operation Temperature : $-40^{\circ}\text{C} \sim 105^{\circ}\text{C}$



| | | | | | | | | | | | | | | |
|-------|------------|-------|---------|-------|-----|---|--|--|----------|--|---------|--------|---------|--|
| DRAWN | Emily Suen | APP'D | Ku Chou | UNIT | mm | TOLERANCE | | 广东科斯达电子科技有限公司 GUANG DONG KE SI DA ELECTRONIC TECHNOLOGY CO., LTD. | TITLE | WP M CONN. M PIIN C SIZE ASSEMBLY TYPE(LOCK)-10A | | | SHEET | |
| CHK'D | Ku Chou | | | SCALE | 1:1 | .x ± 0.20 .xx ± 0.10 .xxx ± 0.05 .xxxx ± 0.03 ANGULAR $\pm 1^{\circ}$ | | | PART NO. | SEE TABLE A | DWG NO. | QC9083 | VERSION | |