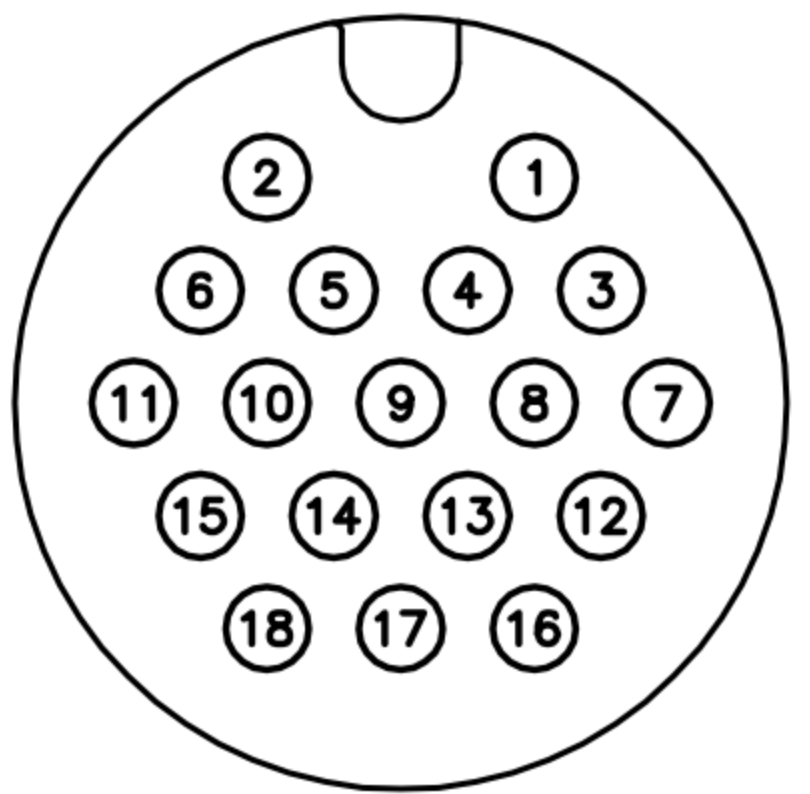
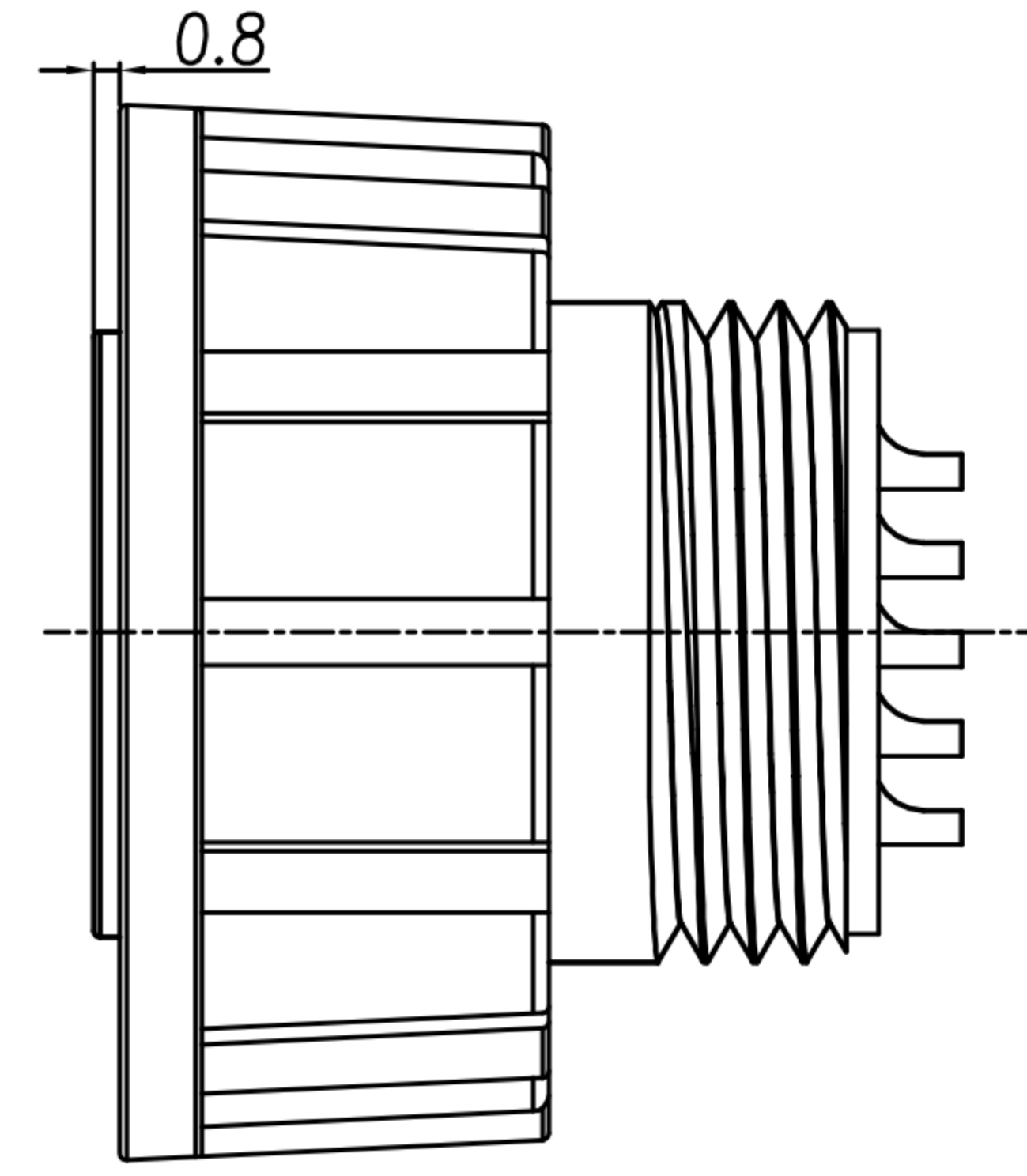
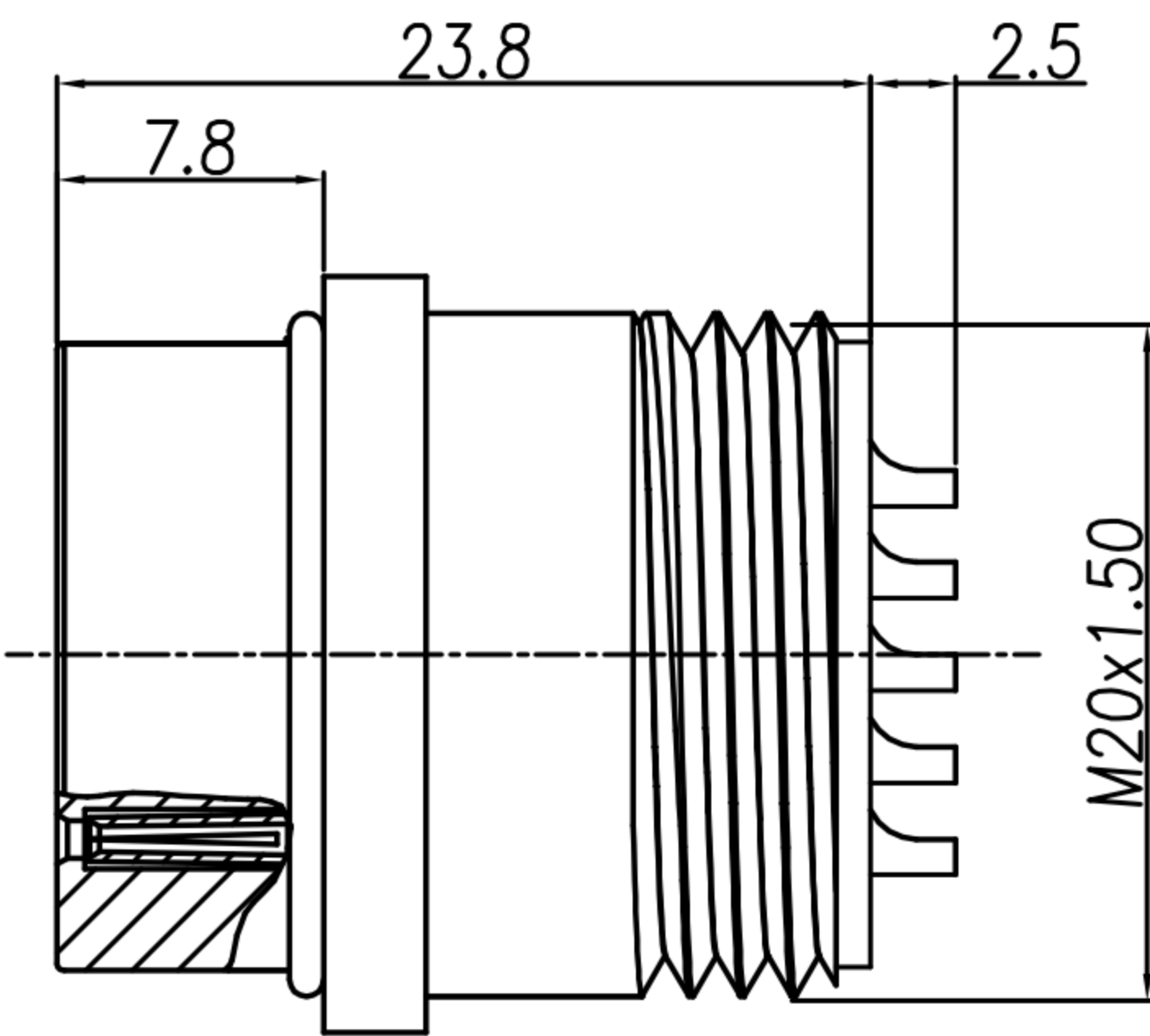
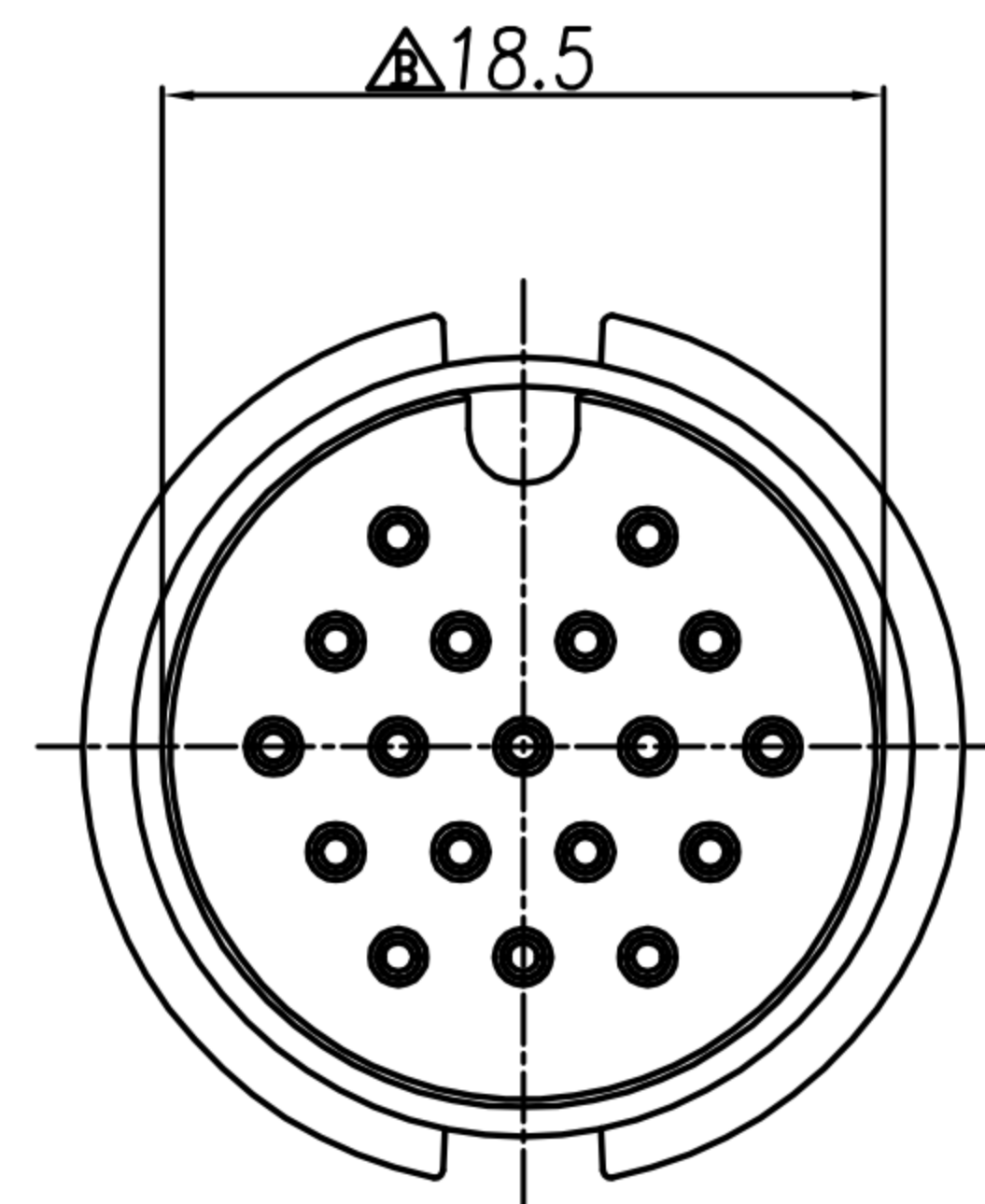


CUSTOMER DRAWING

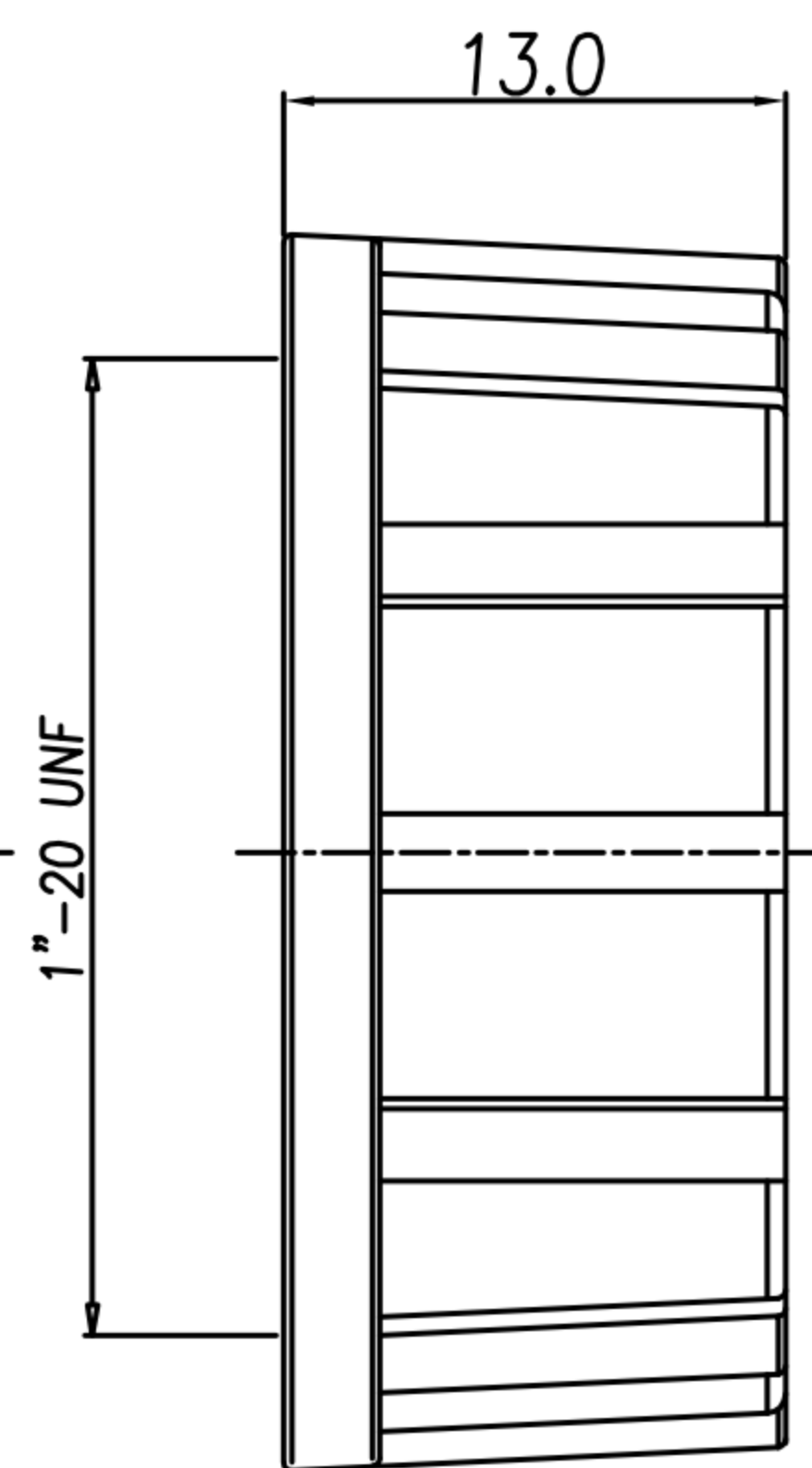
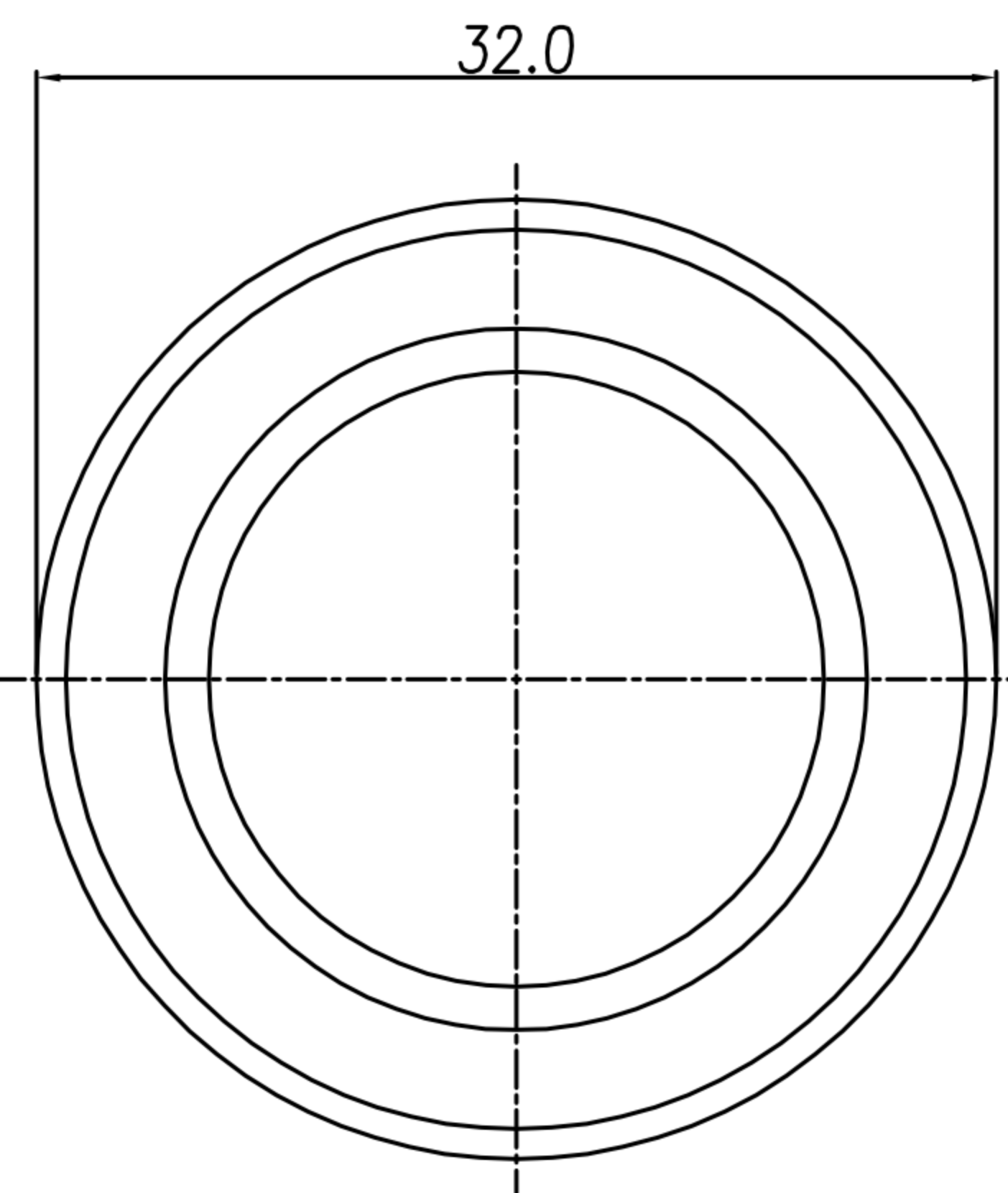
REV.	DESCRIPTION	APPROVED BY	DATE	ECN NO.
△A	RELEASE	Yeh Chou	2017/09/07	
△B	增加商規圖 & 修正尺寸, O-RING 材質與電度規格	KU Chou	02/05/18'	
△C				
△D				



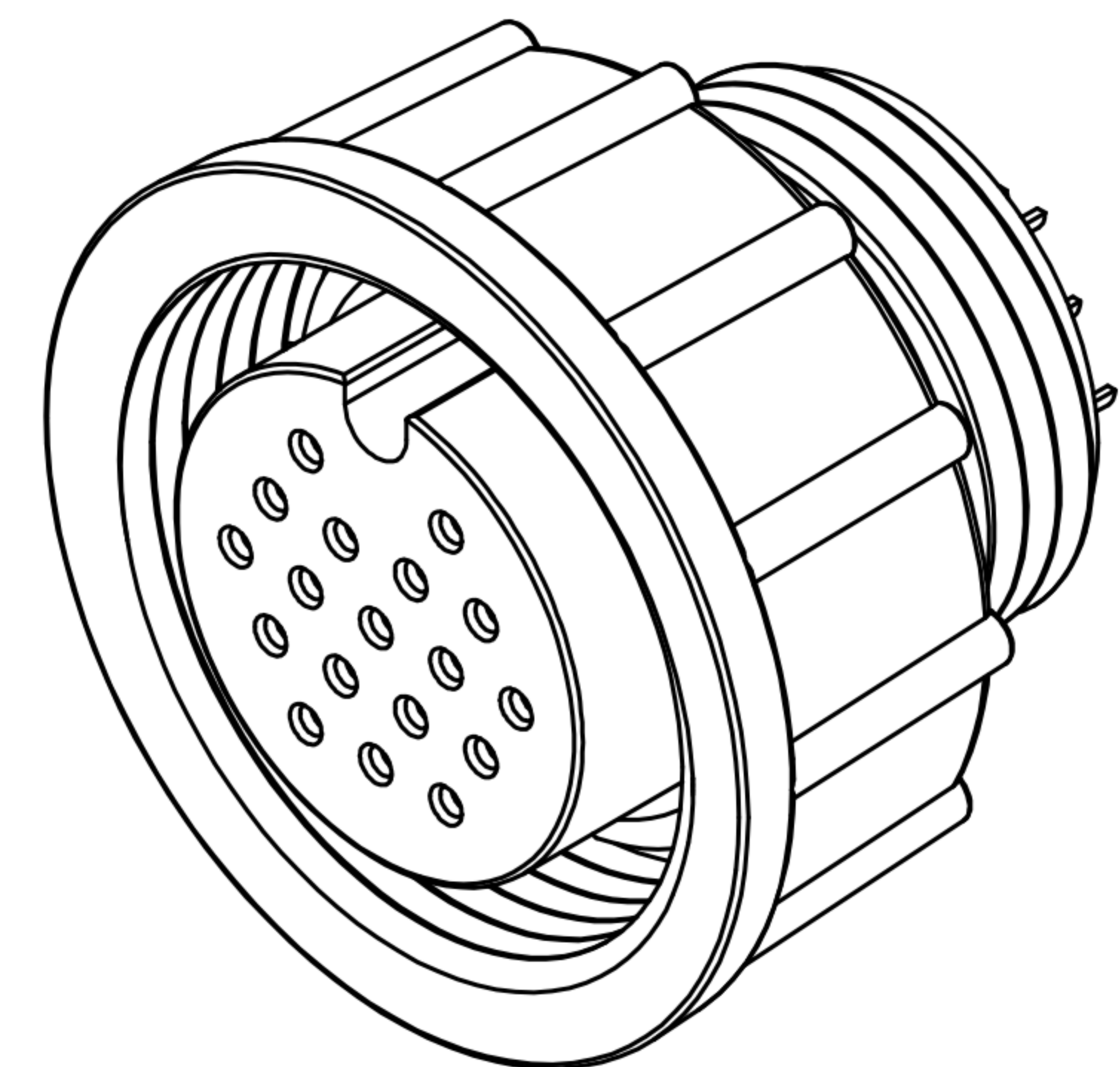
PIN CONFIGURATION



ASS'Y



NUT



1. MATERIAL :
 - 1-1. HOUSING : PA66
 - 1-2. CONTACT : BRASS
 - △1-3. O-RING : SILICONE
 - 1-4. NUT : PA66
2. FINISH :
 - △2-1. CONTACT : GOLD FLASH PLATED
3. ELECTRICAL SPECIFICATION :
 - 3-1. Rated current : 5A
 - 3-2. Rated Voltage : 300V
4. Environmental :
 - 4-1. Operation Temperature : -20℃~80℃

DRAWN	Yeh Chou	APP'D	KU Chou	UNIT	mm	TOLERANCE		广东科斯达电子科技有限公司 GUANG DONG KE SI DA ELECTRONIC TECHNOLOGY CO., LTD.	TITLE	D SIZE 18P (FEMALE PIN) 连接器			SHEET	
CHK'D	KU Chou			SCALE	1:1	.x ±0.20 .xx ±0.10 .xxx ±0.05 .xxxx ±0.03 ANGULA ±1°			PART NO.	WP-18F2-14-11	DWG NO.	QC8004	VERSION	