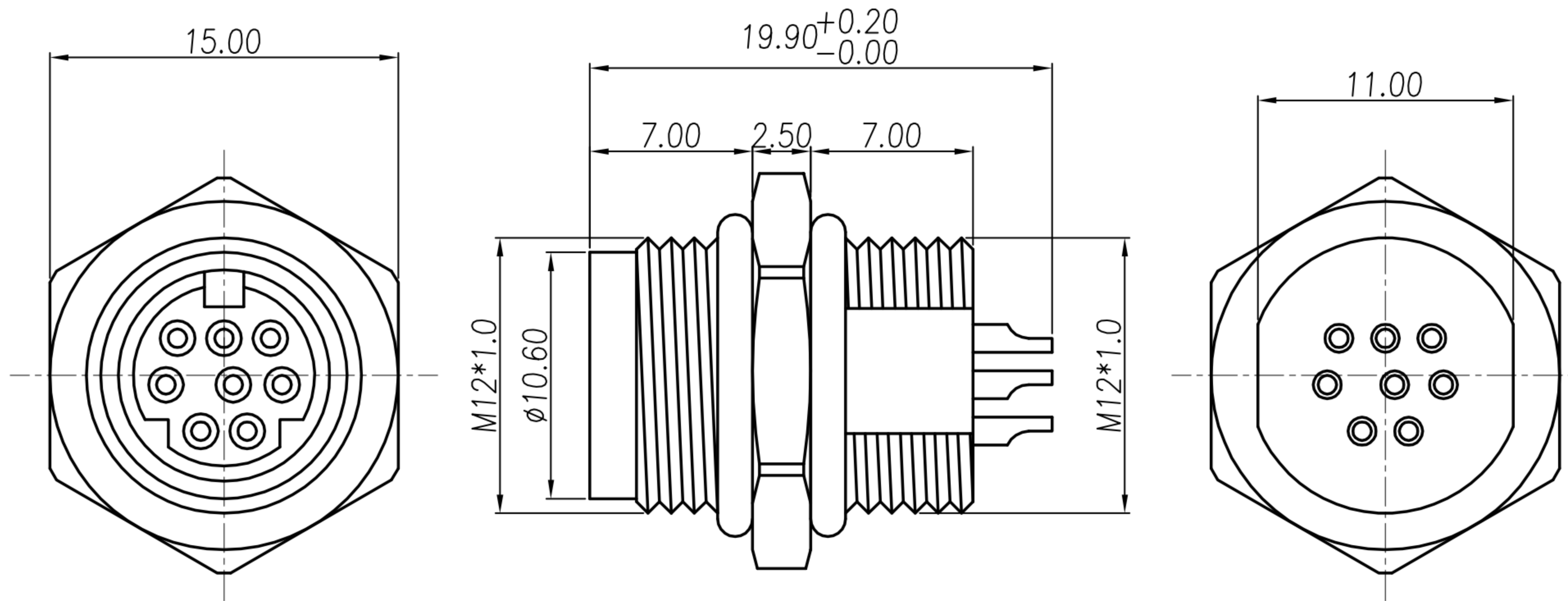
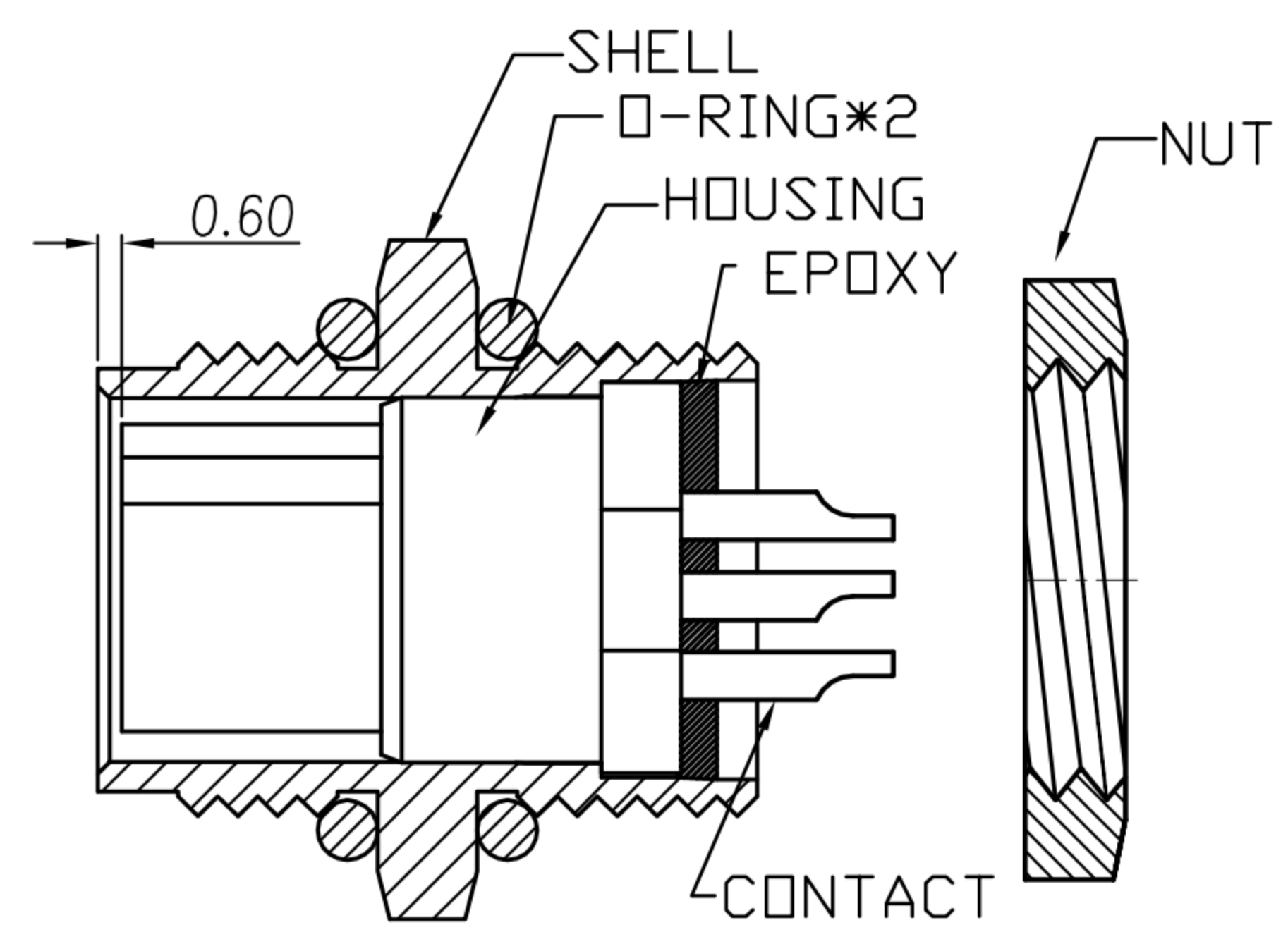
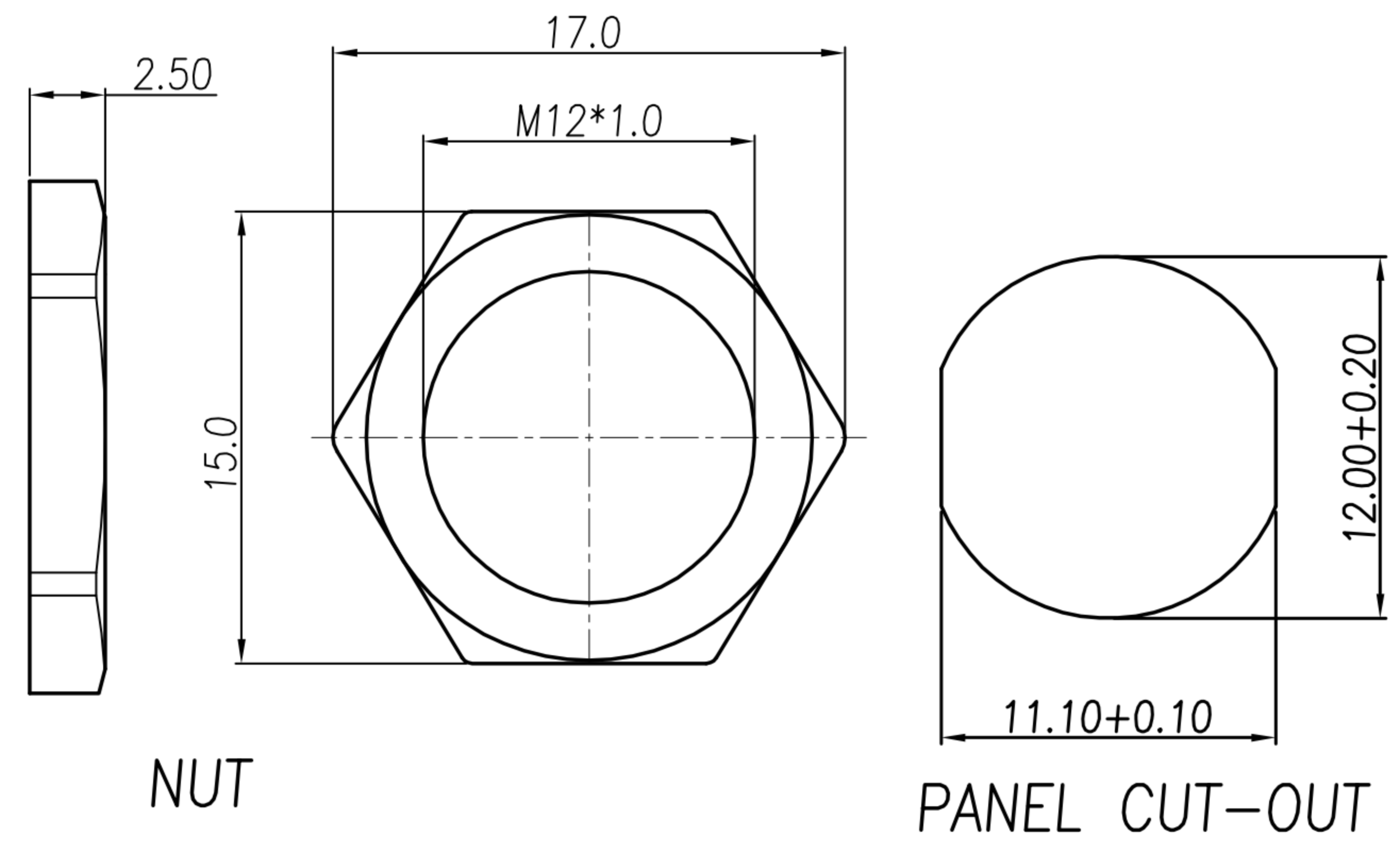


CUSTOMER DRAWING

REV.	DESCRIPTION	APPVL. BY	DATE	ECN NO.
△A				
△B				
△C				



MD-03F2-03-11	MD-04F2-17-11
MD-05F2-02-11	MD-06F2-13-11
MD-07F2-07-11	MD-08F2-05-11



1. MATERIAL :
 - 1-1. HOUSING : PBT UL94V-0 ; COLOR : BLACK
 - 1-2. CONTACT : BRASS
 - 1-3. SHELL : BRASS
 - 1-4. NUT : BRASS
 - 1-5. O-RING : EPDM ; COLOR : BLACK
2. FINISH :
 - 2-1. CONTACT : GOLD FLASH.
 - UNDER PLATE : NICKEL
 - 2-2. SHELL : NICKEL PLATED.
 - 2-2. NUT : NICKEL PLATED.
3. ELECTRICAL SPECIFICATION :
 - 3-1. Rated current : 2A
 - 3-2. Rated Voltage : 12V
 - 3-3. Water proof: IPX7
4. Environmental :
 - 4-1. Operation Temperature : -20℃~85℃

DRAW	LED	APPVL	Emily Suen	UNIT	mm	TOLERANCE		广东科斯达电子科技有限公司 GUANG DONG KE SI DA ELECTRONIC TECHNOLOGY CO., LTD.	TITLE	防水MINI DIN (F) 後鍍焊線式			SHEET	
CHECK	Emily Suen			SCALE	1:1	.x ±0.20 .xx ±0.10 .xxx ±0.05 .xxxx ±0.03 ANGULA ±1°			PART NO.	SEE TABLE A	DWG NO.	QC8510	VERSION	