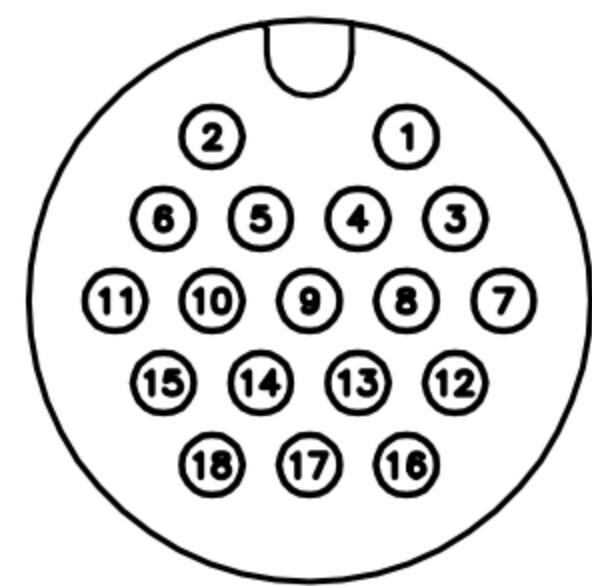


CUSTOMER DRAWING

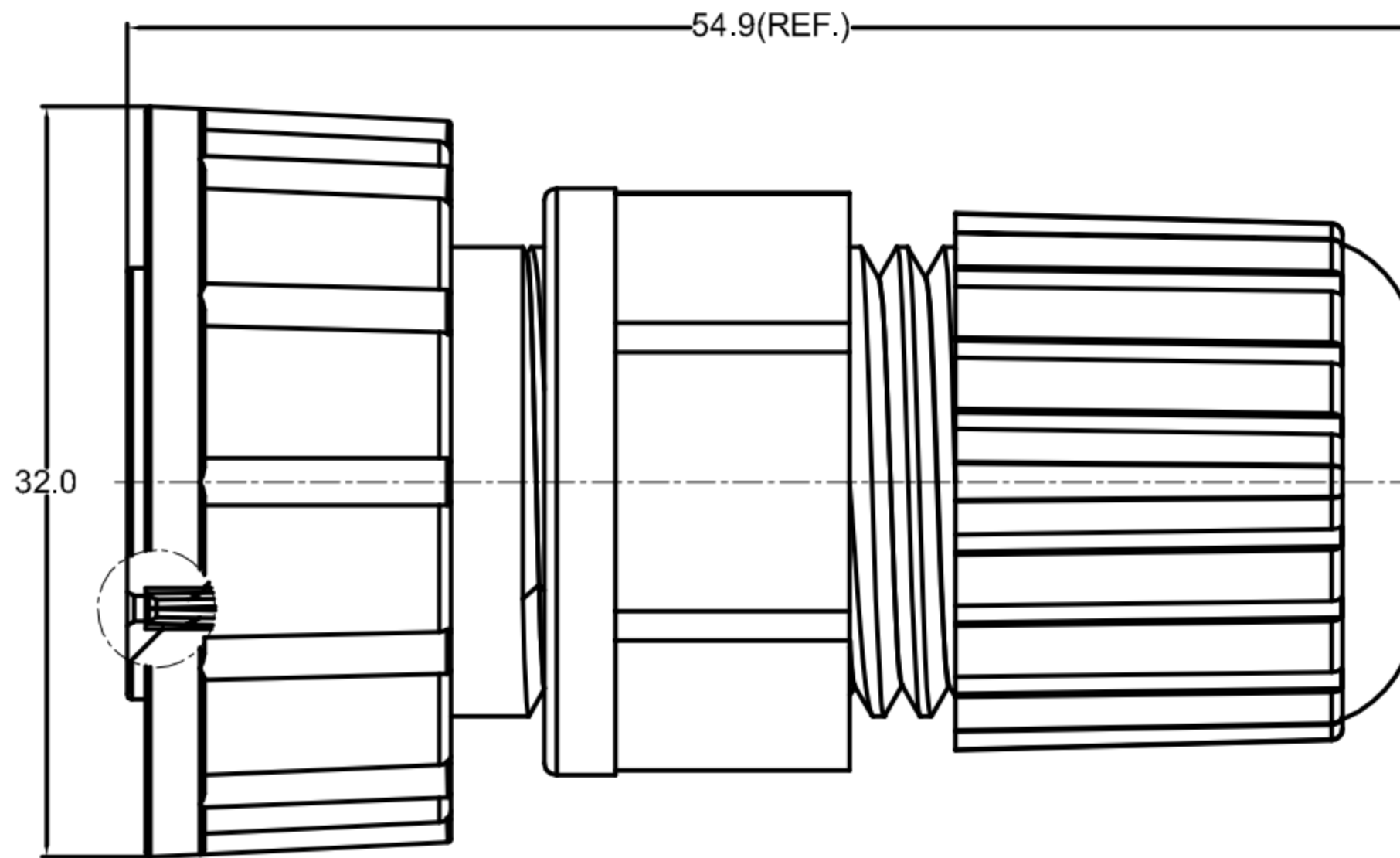
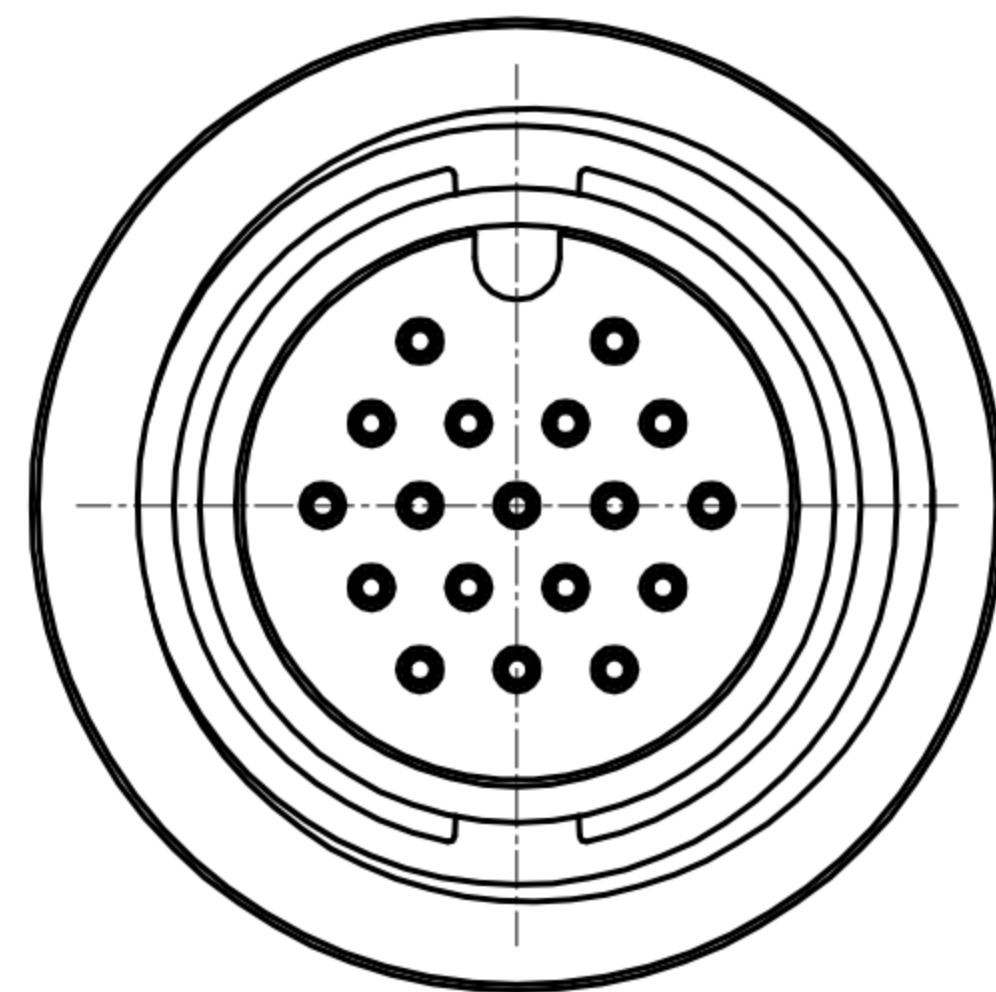
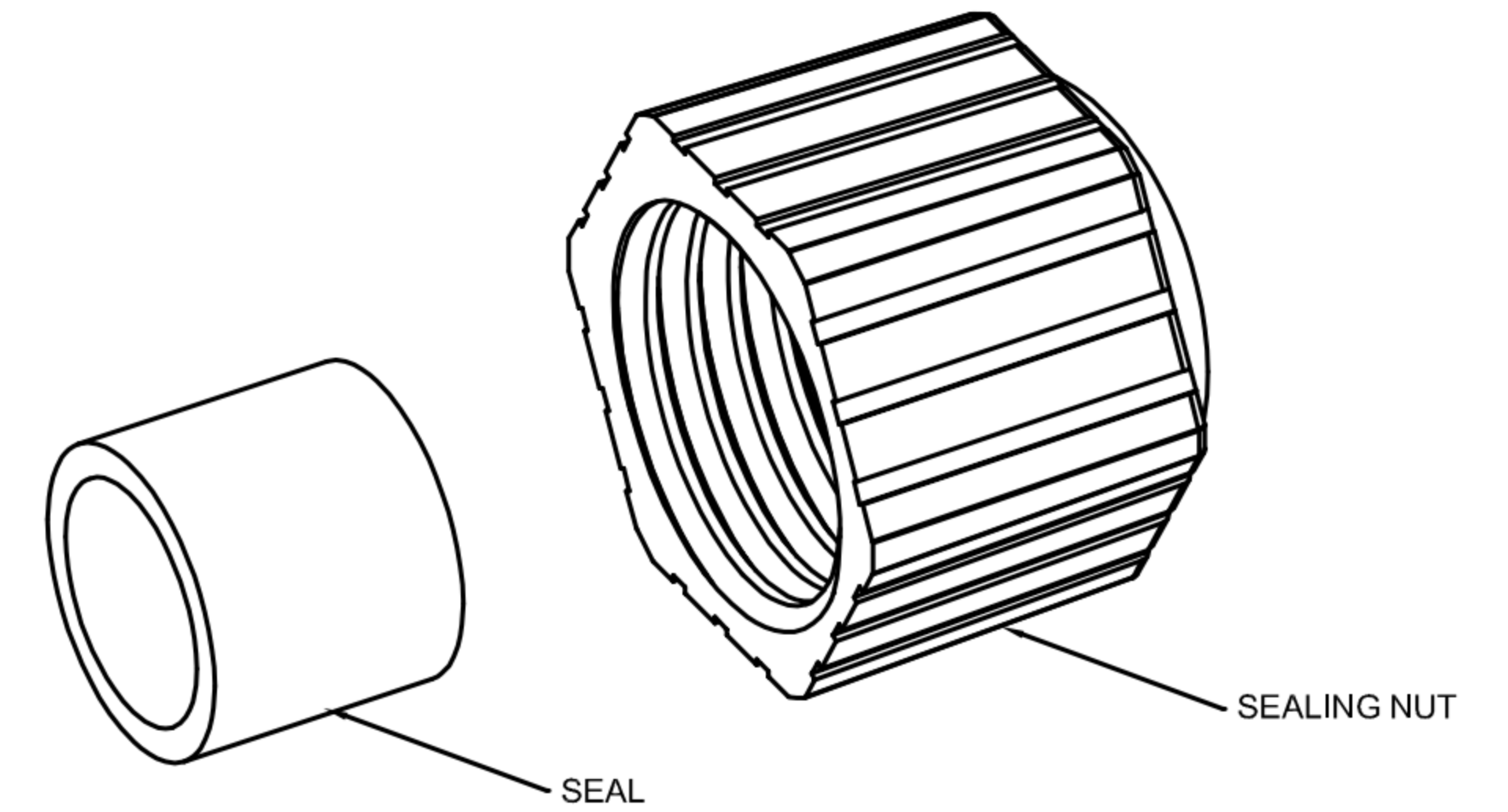
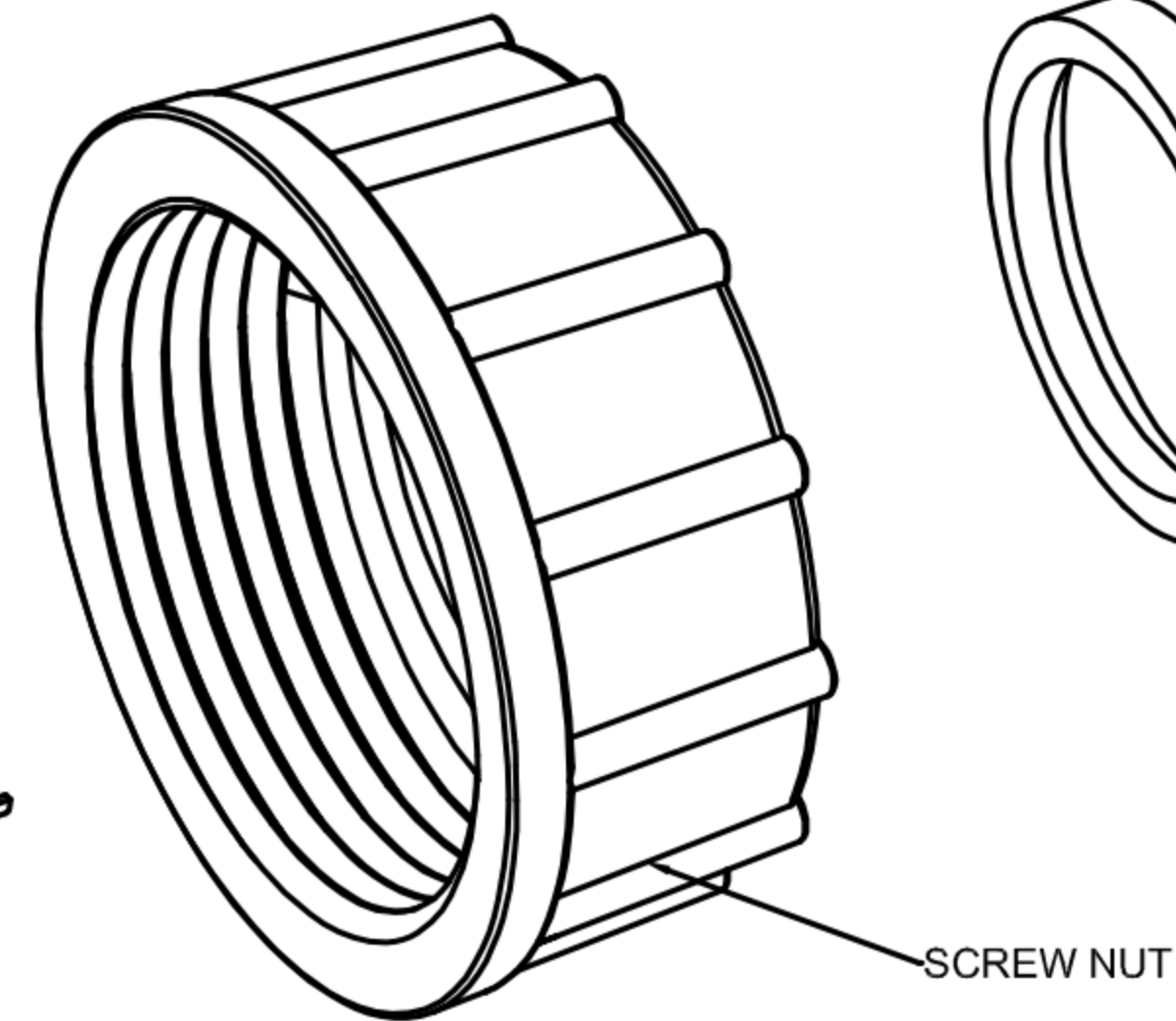
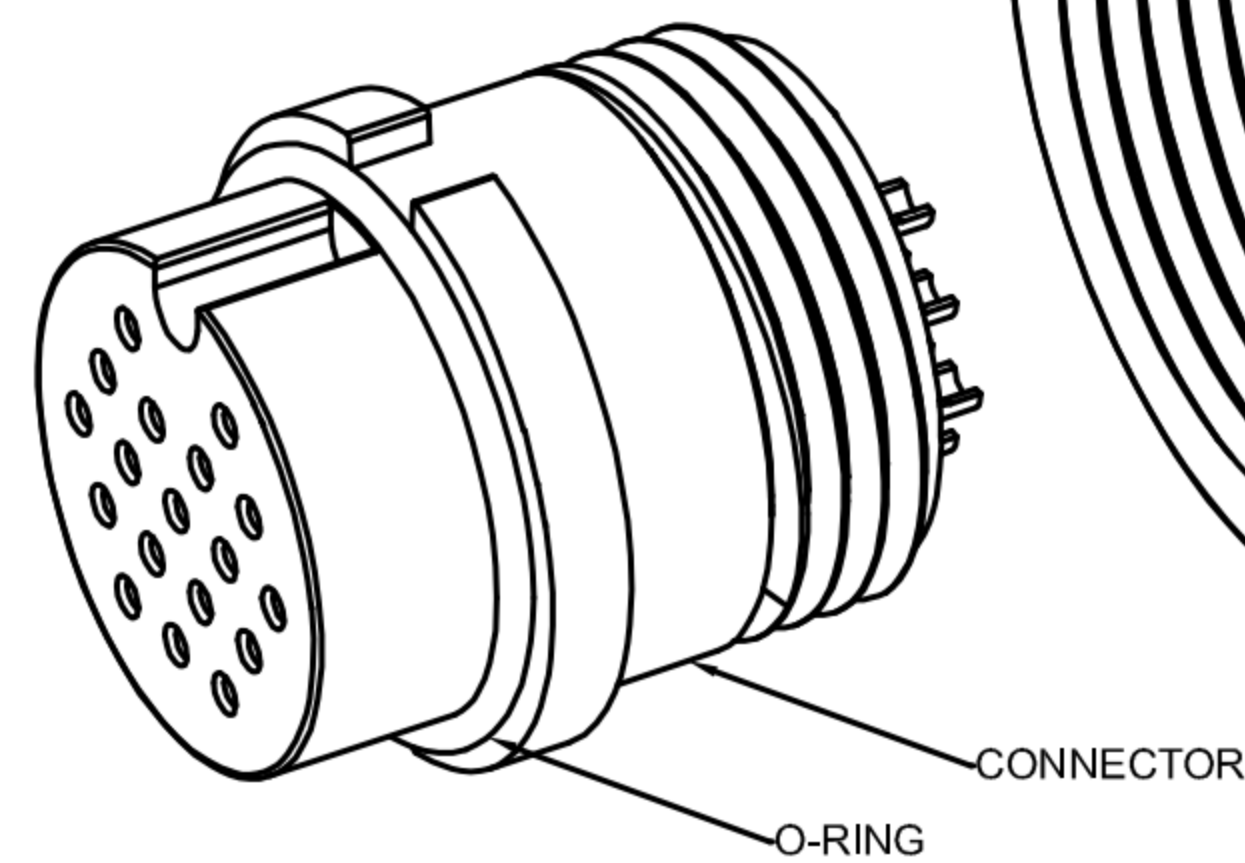
REV.	DESCRIPTION	APPROVED BY	DATE	ECN NO.
△A	RELEASE	Ku Chou	14/08/18'	
△B	CHANGE RATED VOLTAGE	Ku Chou	13/12/18'	
△C				

TABLE A

P/N	CLAMP RING MATERIAL
WP-18F2-16-11	PBT+PC, UL94V-0(F1)
WP-18F2-17-11	PA66



Pin Assignments
Front View



- MATERIAL :
 - 1-1. HOUSING : PA66
 - 1-2. CONTACT : BRASS
 - 1-3. O-RING : SILICONE
 - 1-4. SCREW NUT : PA66
 - 1-5. GASKET : SILICONE
 - 1-6. CLAMP RING : SEE TABLE A
 - 1-7. SEAL : SILICONE
SEAL FOR CABLE OD ϕ 5.5mm ~10.8mm
 - 1-8. SEALING NUT : PA66
- FINISH :
 - 2-1. CONTACT : GOLD FLASH PLATED.
- ELECTRICAL SPECIFICATION :
 - 3-1. Rated current : 5A
 - △B 3-2. Rated Voltage : 300V
 - 3-3. Water proof : IP67
- Environmental :
 - 4-1. Operation Temperature : -40 $^{\circ}$ C~105 $^{\circ}$ C

DRAWN	Emily Suen	APP'D	Ku Chou	UNIT	mm	TOLERANCE		广东科斯达电子科技有限公司 GUANG DONG KE SI DA ELECTRONIC TECHNOLOGY CO., LTD.	TITLE	WP FEMALE (FEMALE PIN) D SIZE ASSEMBLY TYPE(SCREW)-5A			SHEET	B
CHK'D	Ku Chou			SCALE	1:1				PART NO.	SEE TABLE A	DWG NO.	QC8765	VERSION	