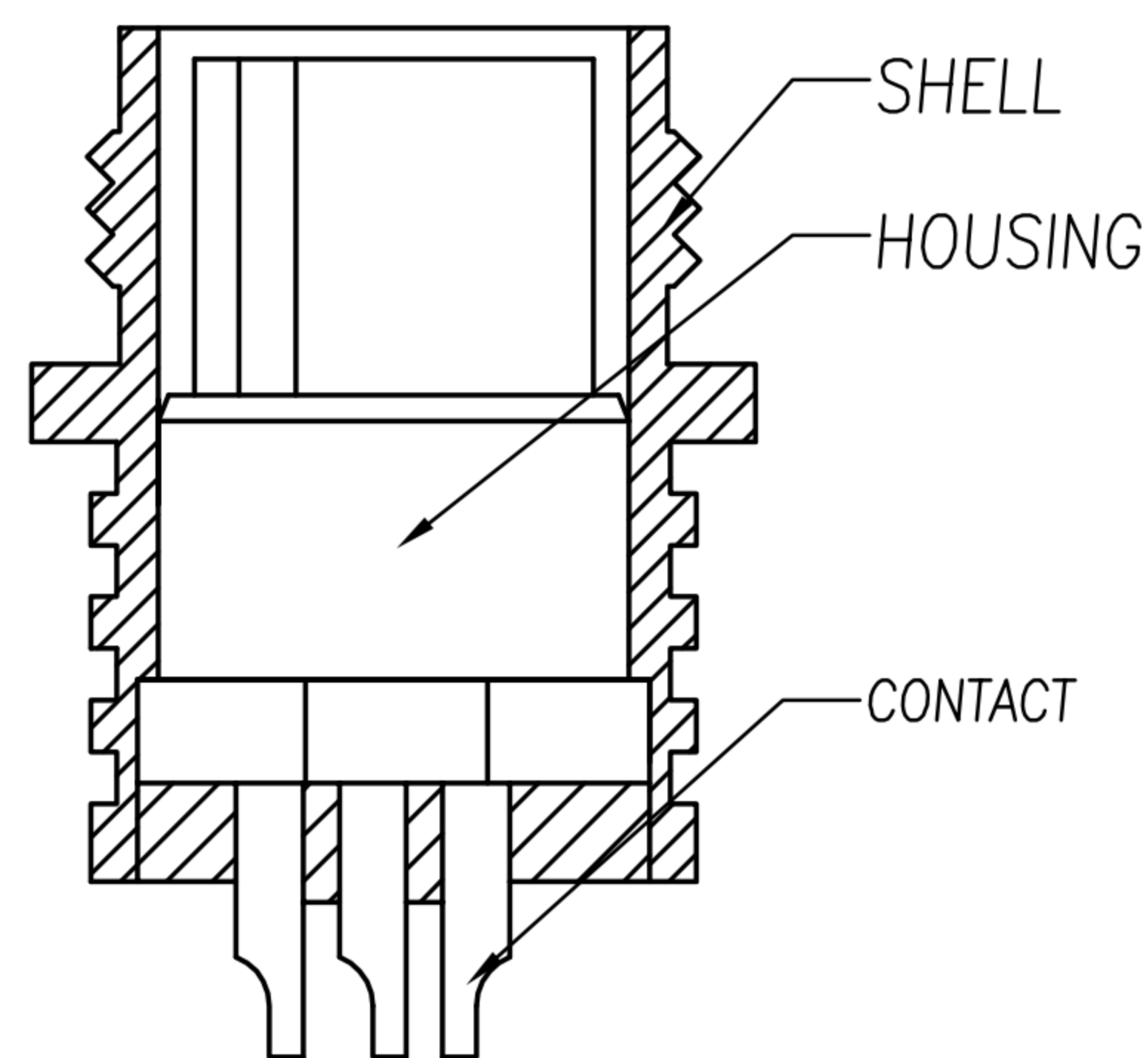
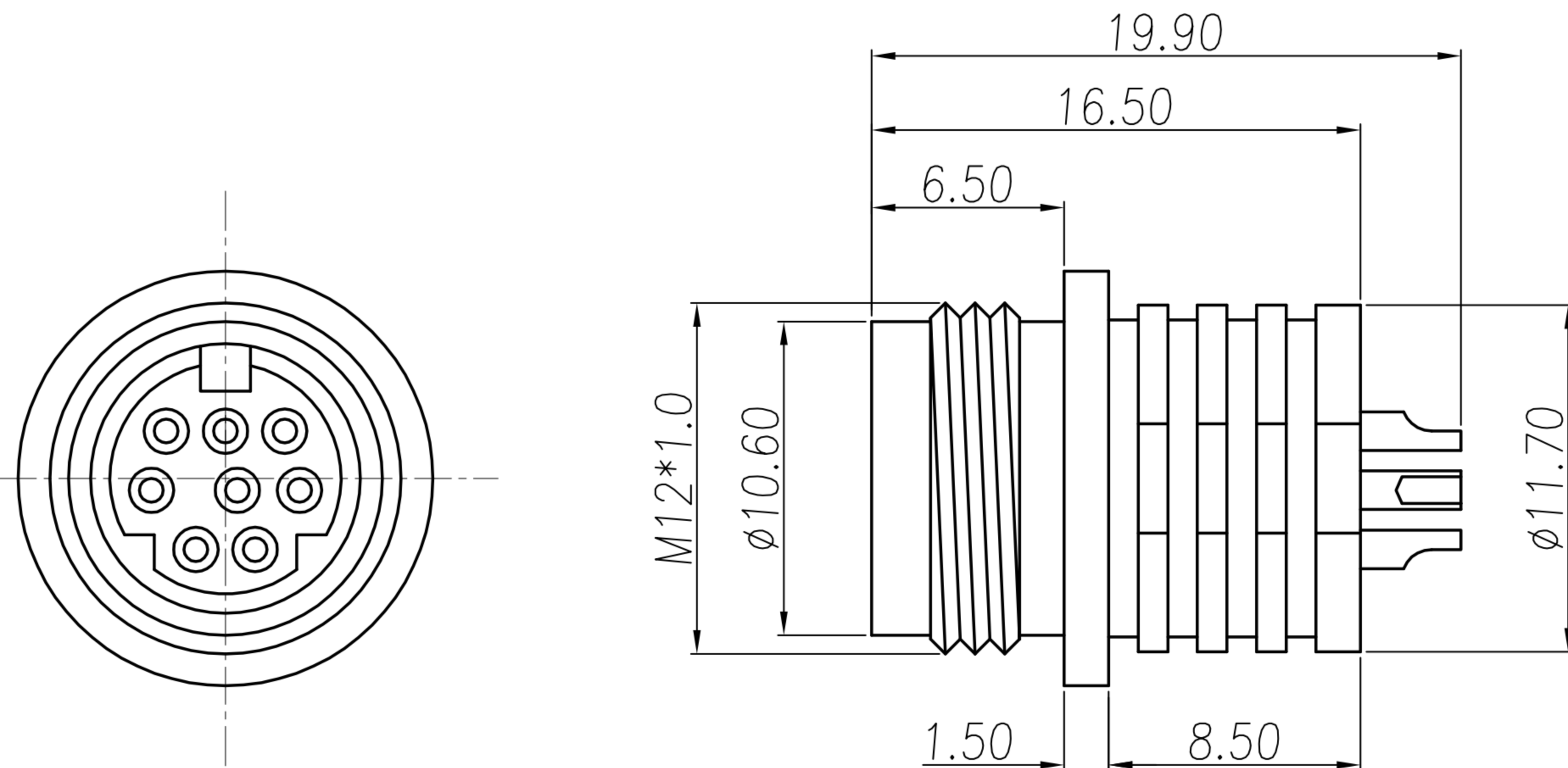


CUSTOMER DRAWING

| REV. | DESCRIPTION | APPVL. BY | DATE | ECN NO. |
|------|------------------------|-----------|-----------|---------|
| A | RELEASE | Fido Weng | 16/07/12* | |
| B | ADD FINISH DESCRIPTION | Ku Chou | 20/07/18* | |
| C | | | | |



1. MATERIAL :
 - 1-1. HOUSING : PBT UL94V-0 ; COLOR : BLACK
 - 1-2. CONTACT : BRASS
 - 1-3. SHELL : BRASS
2. FINISH :
 - 2-1. CONTACT : GOLD FLASH.
UNDER PLATE : NICKEL
 - 2-2. SHELL : NICKEL PLATED.
3. ELECTRICAL SPECIFICATION :
 - 3-1. Rated current : 2A
 - 3-2. Rated Voltage : 12V
 - 3-3. Water proof: IPX7
4. Environmental :
 - 4-1. Operation Temperature : -20℃~85℃

TABLE A

| | |
|----------------|----------------|
| | |
| WP-03F2-62-11 | WP-04F2-133-11 |
| | |
| WP-05F2-103-11 | WP-06F2-36-11 |
| | |
| WP-07F2-05-11 | WP-08F2-64-11 |

| DRAW | Hulk Zhang | APPVL | Emily Suen | UNIT | mm | TOLERANCE | .x ±0.20 .xx ±0.10 .xxx ±0.05 .xxxx ±0.03 ANGULA ±1° | TITLE | 防水MINI DIN (F) 線端穿線式 | | | SHEET | 1 |
|-------|------------|-------|------------|-------|-----|-----------|--|----------|----------------------|---------|--------|---------|---|
| CHECK | Emily Suen | | | SCALE | 1:1 | | | PART NO. | SEE TABLE A | DWG NO. | QC7268 | VERSION | B |
| | | | | | | | | | | | | | |

广东科斯达电子科技有限公司
 GUANG DONG KE SI DA ELECTRONIC TECHNOLOGY CO., LTD.