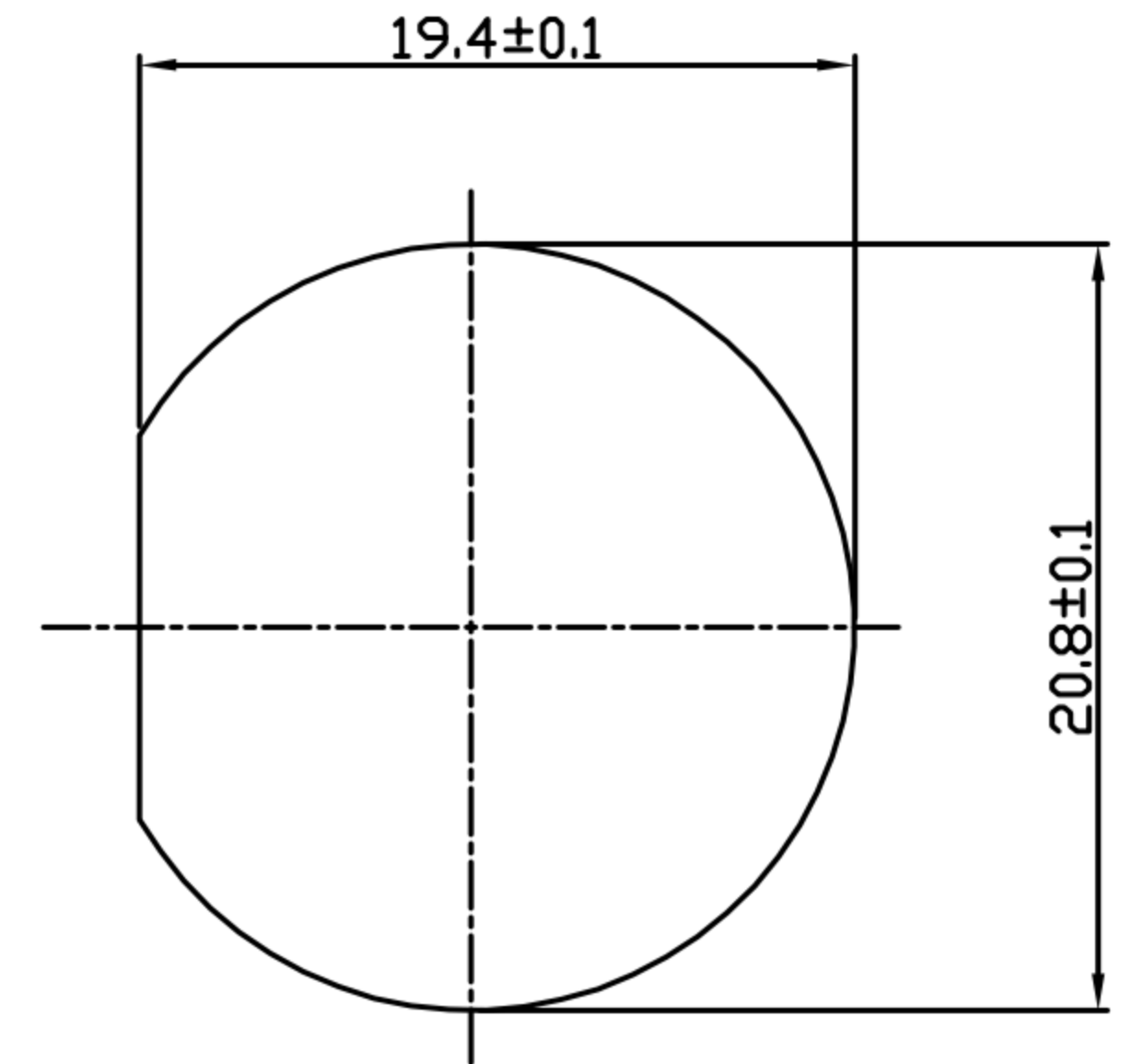
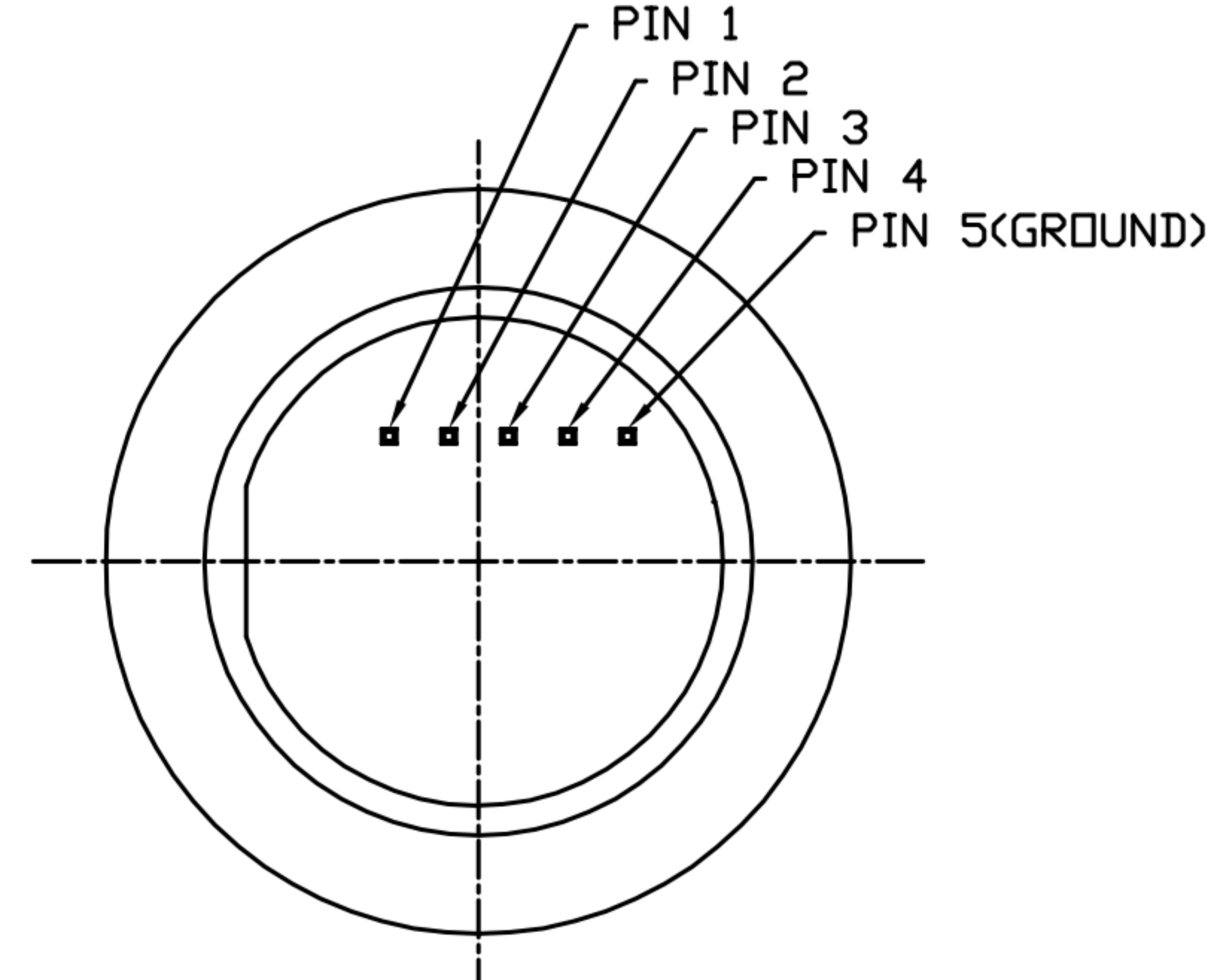
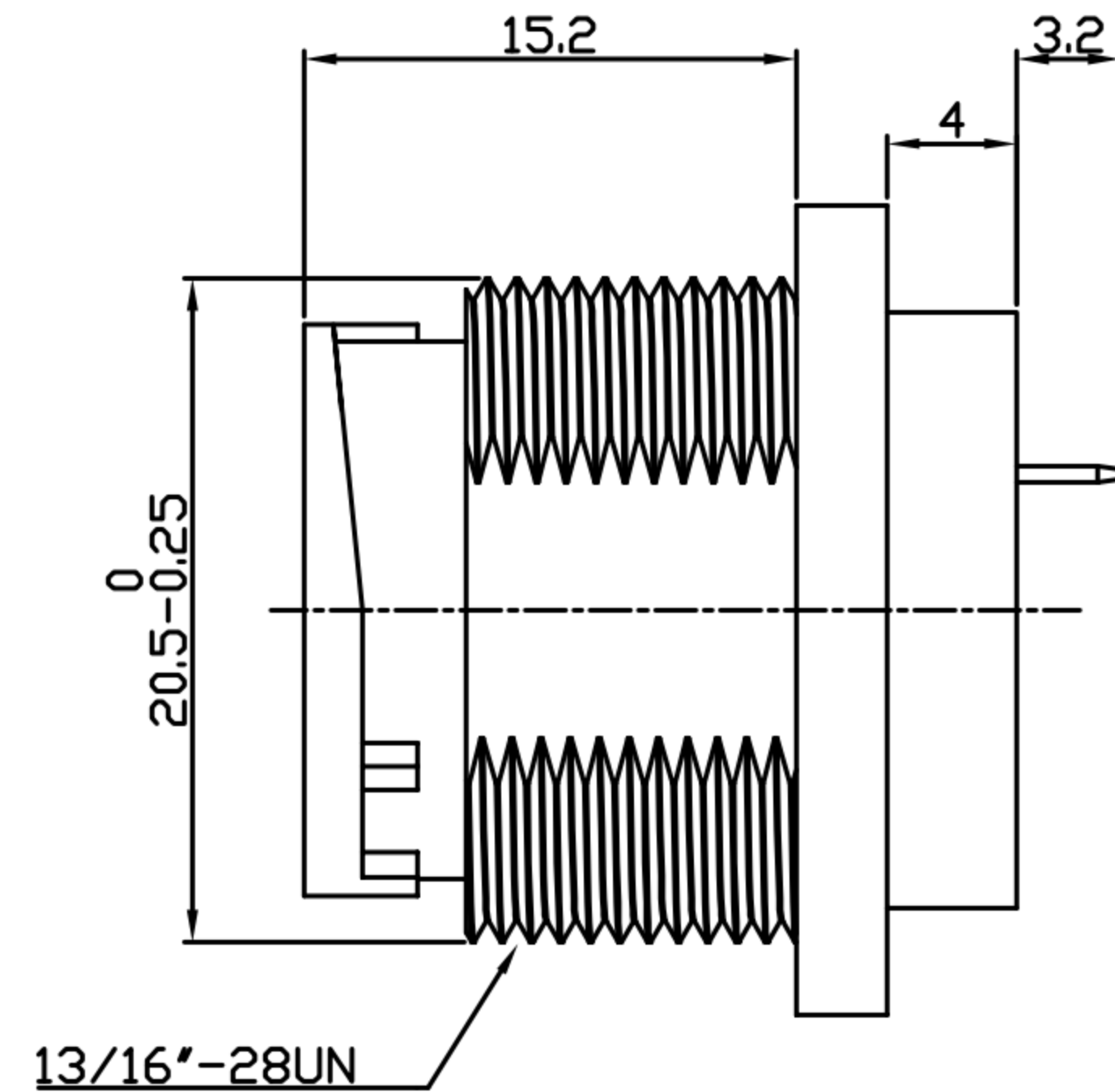
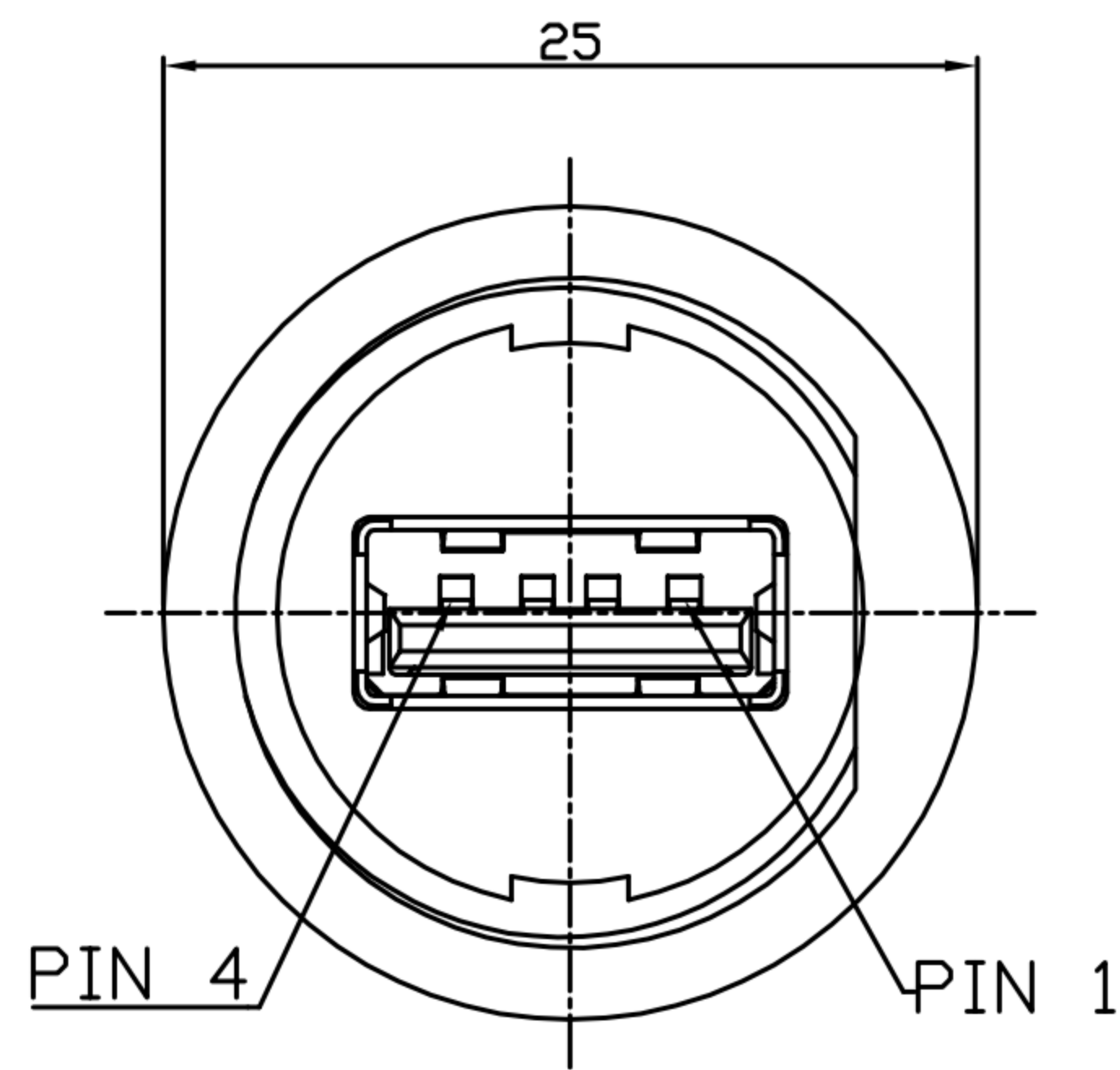
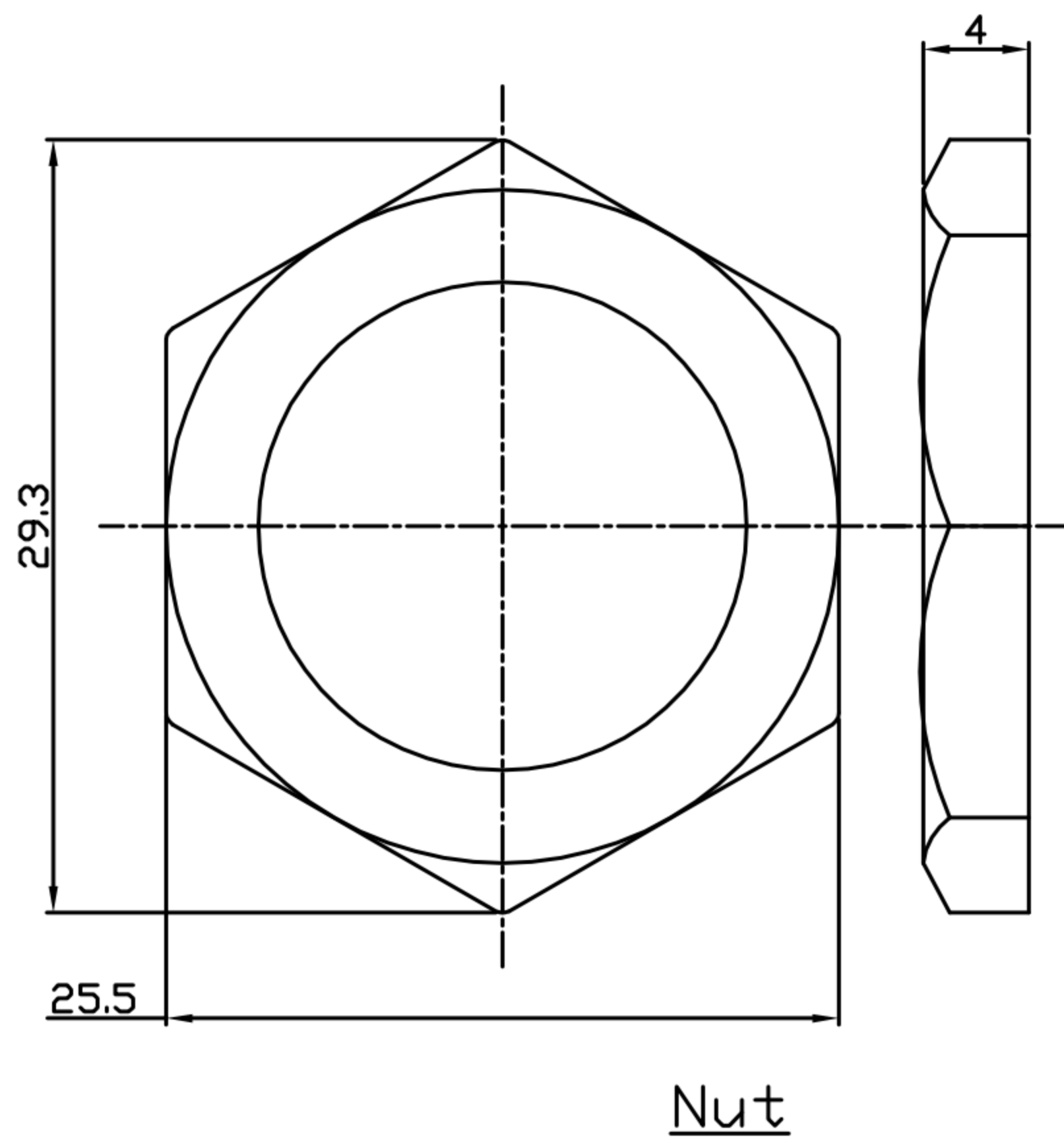


CUSTOMER DRAWING

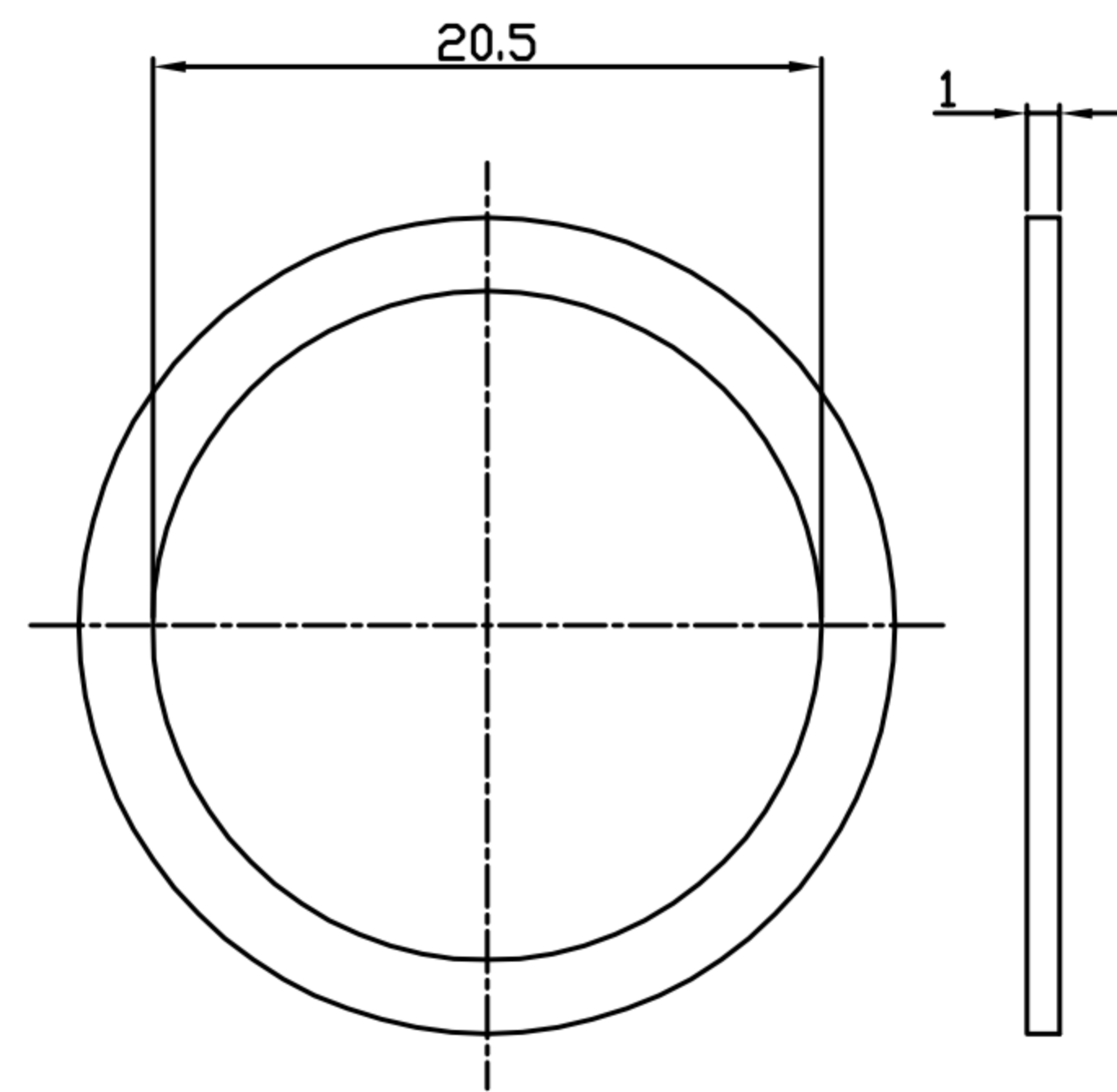
REV.	DESCRIPTION	APPROVED BY	DATE	ECN NO.
A	RELEASE	Yeh Chou	17/07/18'	
B				
C				



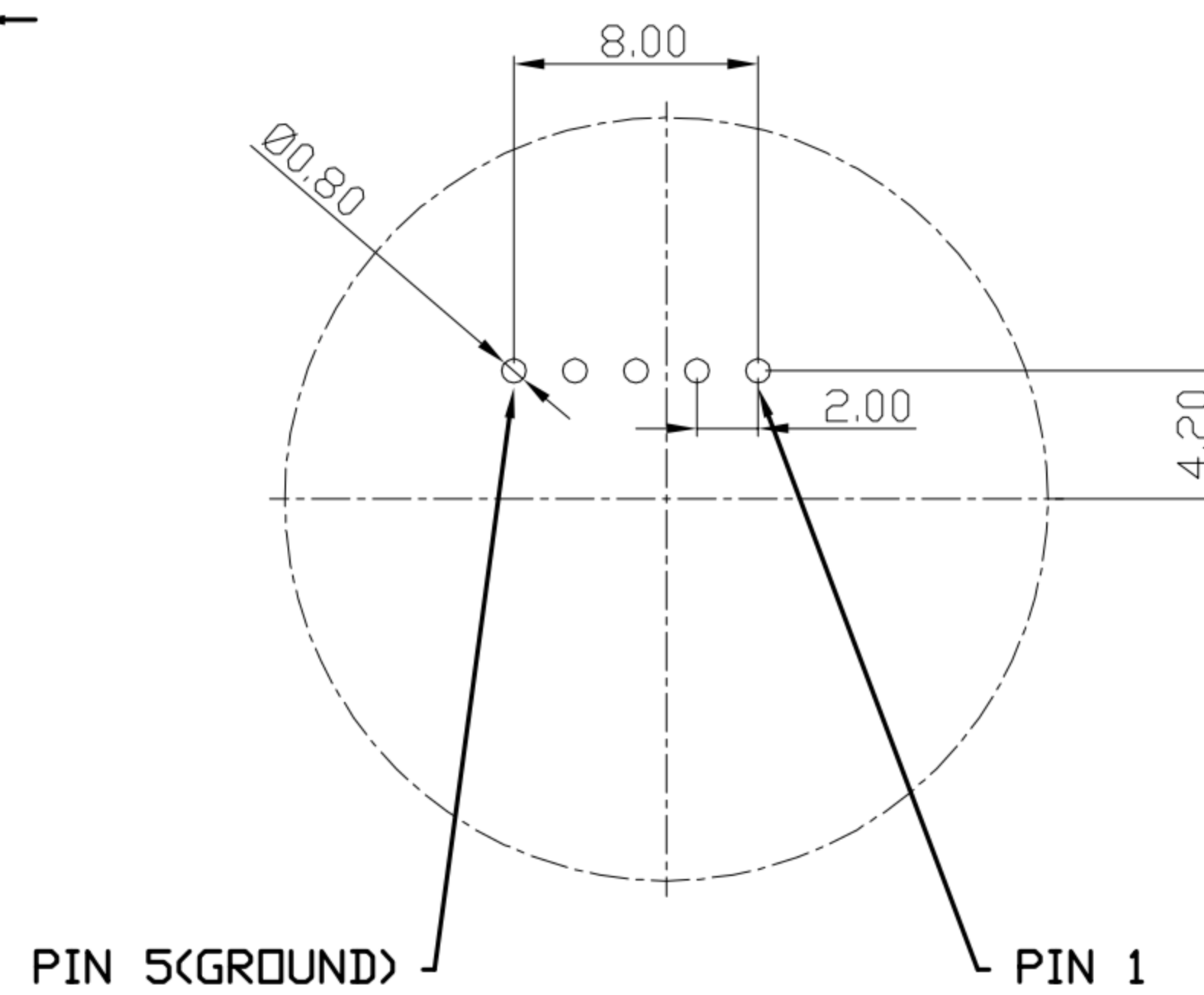
Recommended Panel Cut-Out



Nut



Gasket



PCB LAYOUT (TOP VIEW)

- MATERIAL :
 - 1-1. HOUSING : PBT UL94V-0 ; COLOR : BLACK.
 - 1-2. CONTACT : PHOSPHOR BRONZE
 - 1-3. SHELL : PA66 UL94V-0 ; COLOR : BLACK.
 - 1-4. GROUND : SUS
 - 1-5. GASKET : SILICON ; COLOR : GRAY BLACK.
 - 1-6. NUT : PA66
- FINISH :
 - 2-1. CONTACT : GOLD FLASH PLATED
 - 2-2. GROUND : NICKEL PLATED.
- ELECTRICAL SPECIFICATION :
 - 3-1. Rated current : 1.5A
 - 3-2. Rated voltage : 250V AC
 - 3-3. Water proof : IPX7
- Environmental :
 - 4-1. Operation Temperature : -40℃~85℃

DRAWN	Yeh Chou	APP'D	KU Chou	UNIT	mm	TOLERANCE		广东科斯达电子科技有限公司 GUANG DONG KE SI DA ELECTRONIC TECHNOLOGY CO., LTD.	TITLE	防水USB(F)快插式(前盖)			SHEET	1/1
CHK'D	KU Chou			SCALE	1:1	.x ±0.20 .xx ±0.10 .xxx ±0.05 .xxxx ±0.03 ANGULA ±1°			PART NO.	US-04F3-33-11	DWG NO.	QC8754	VERSION	A