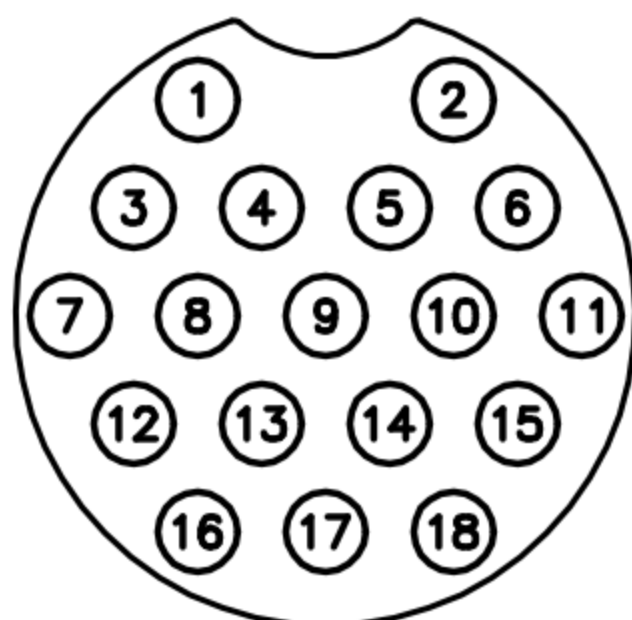
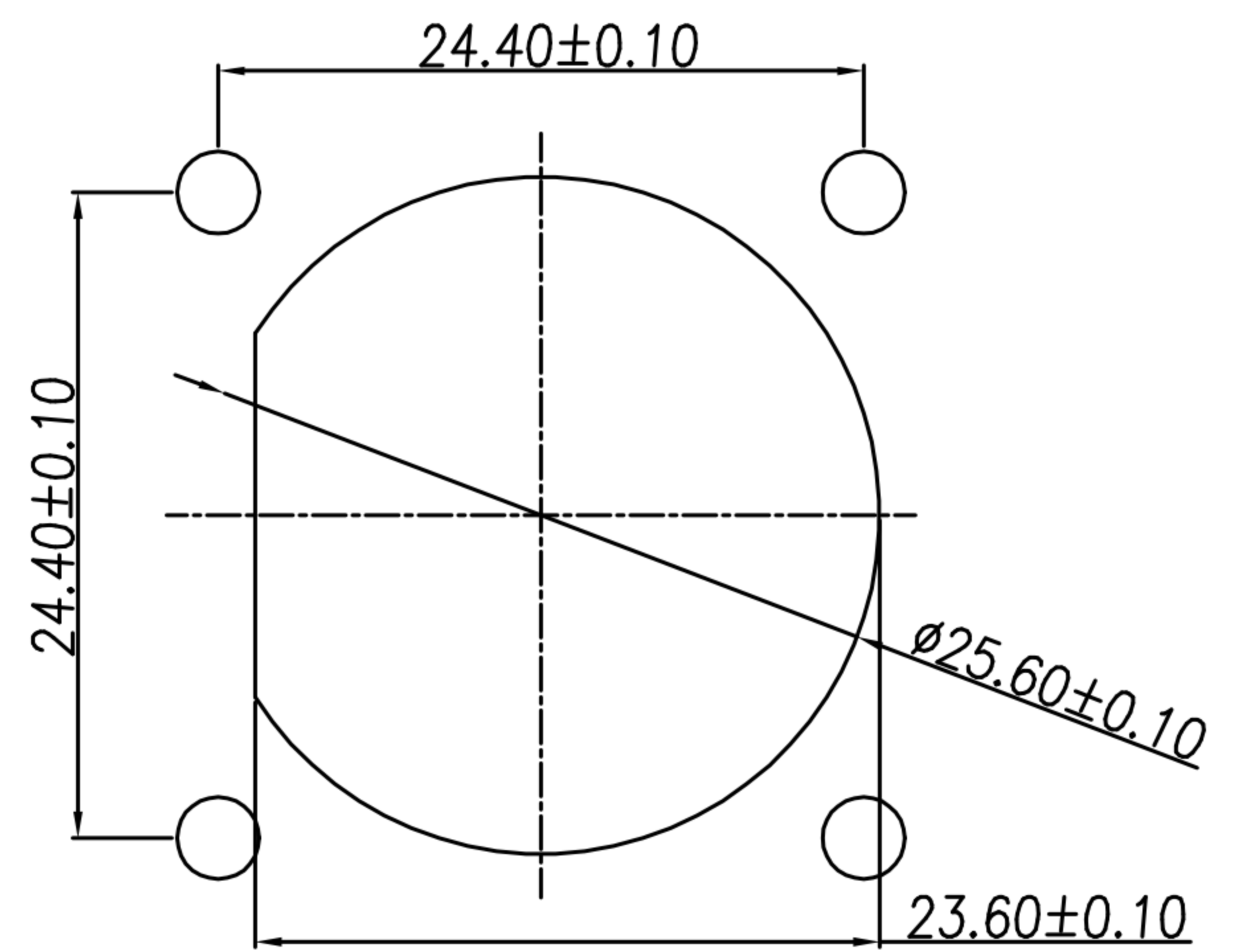
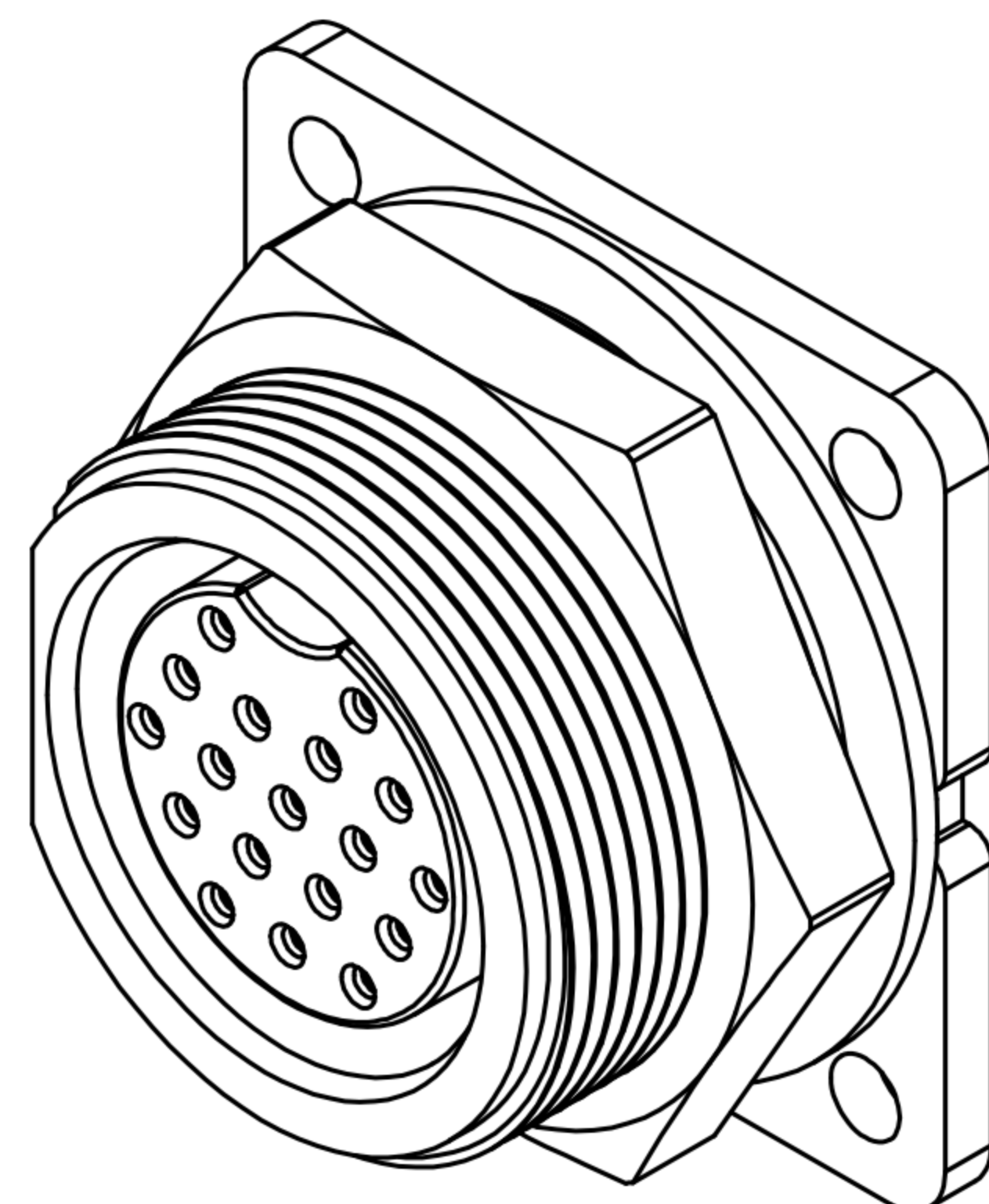
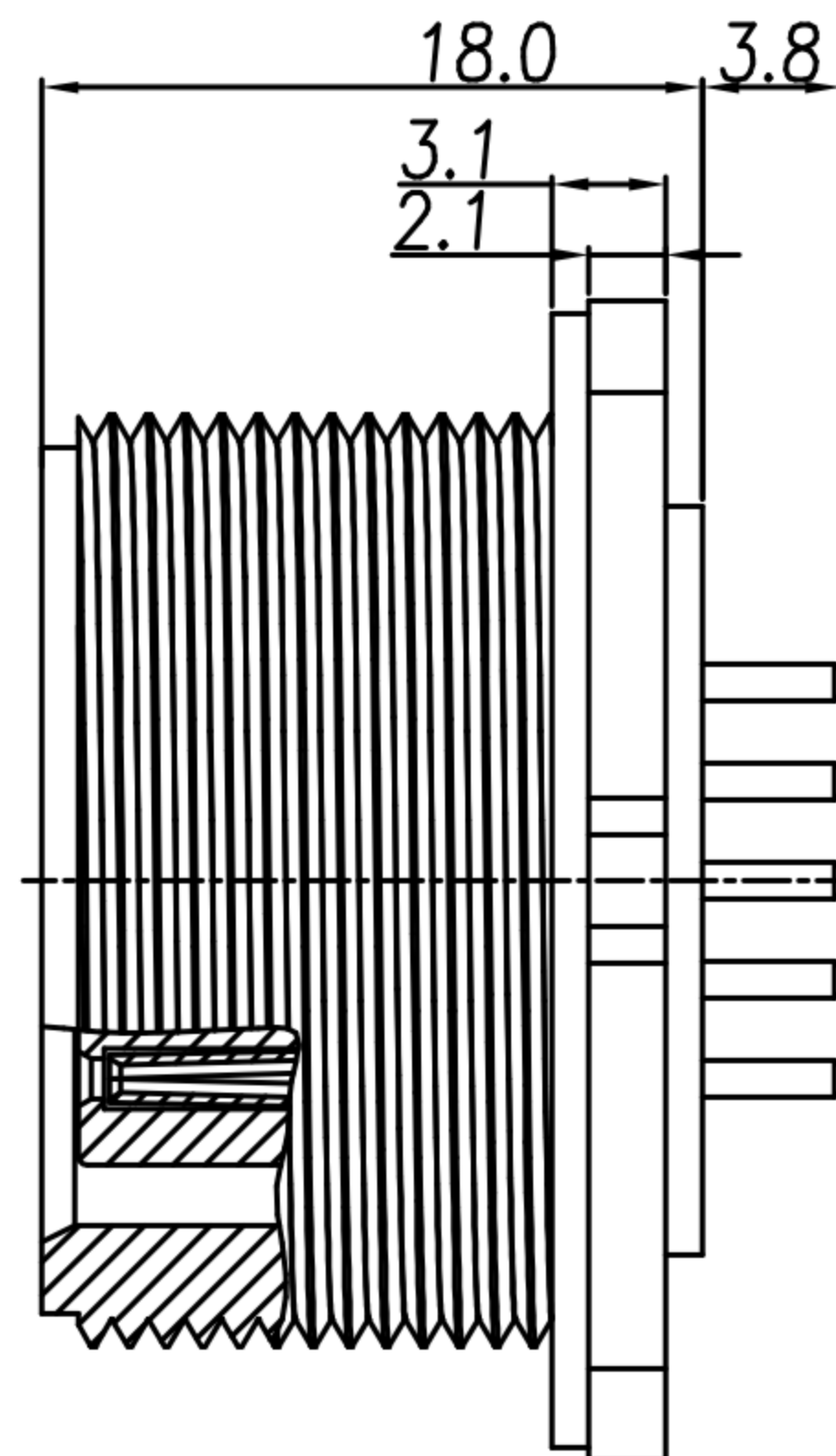
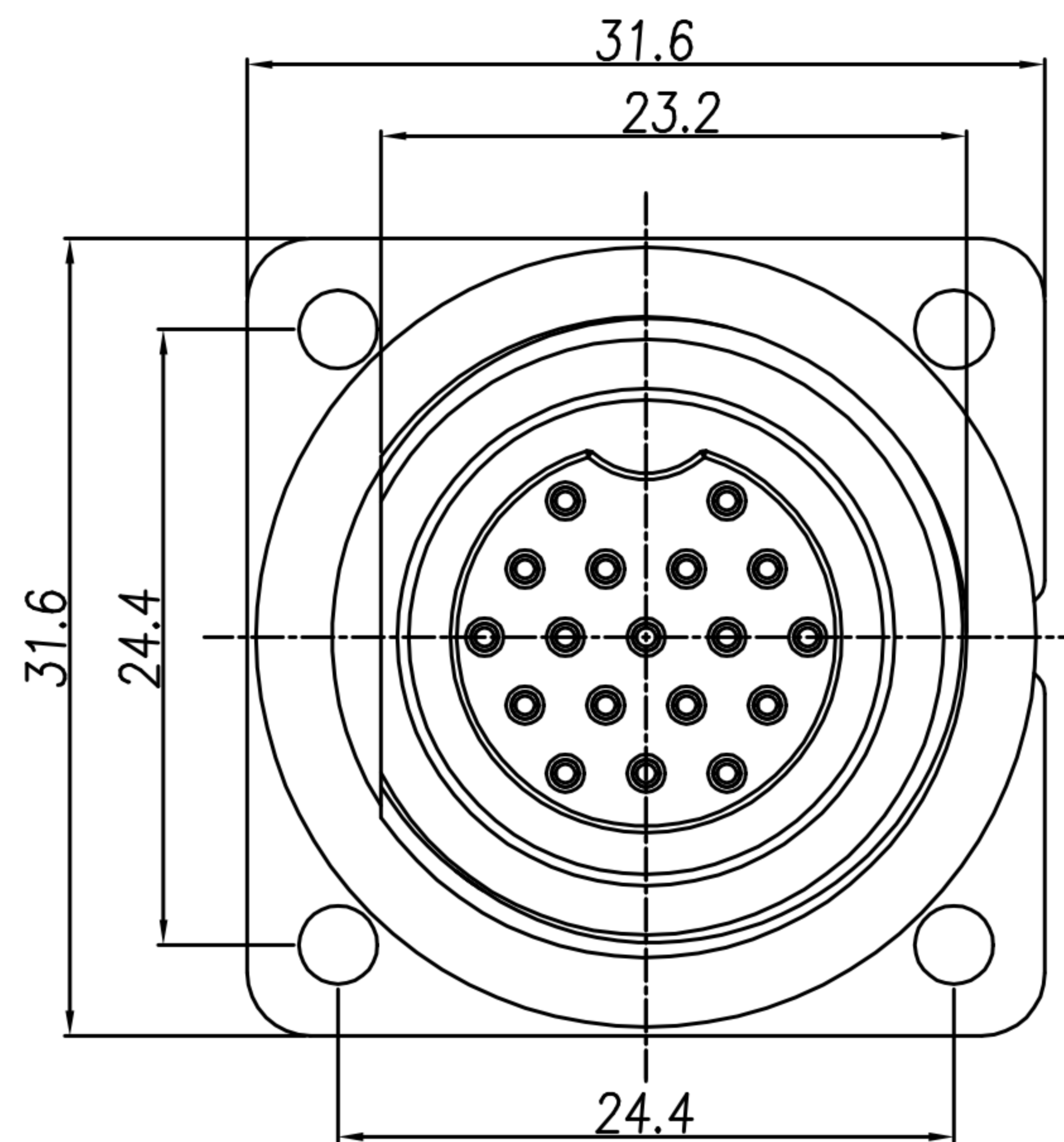


CUSTOMER DRAWING

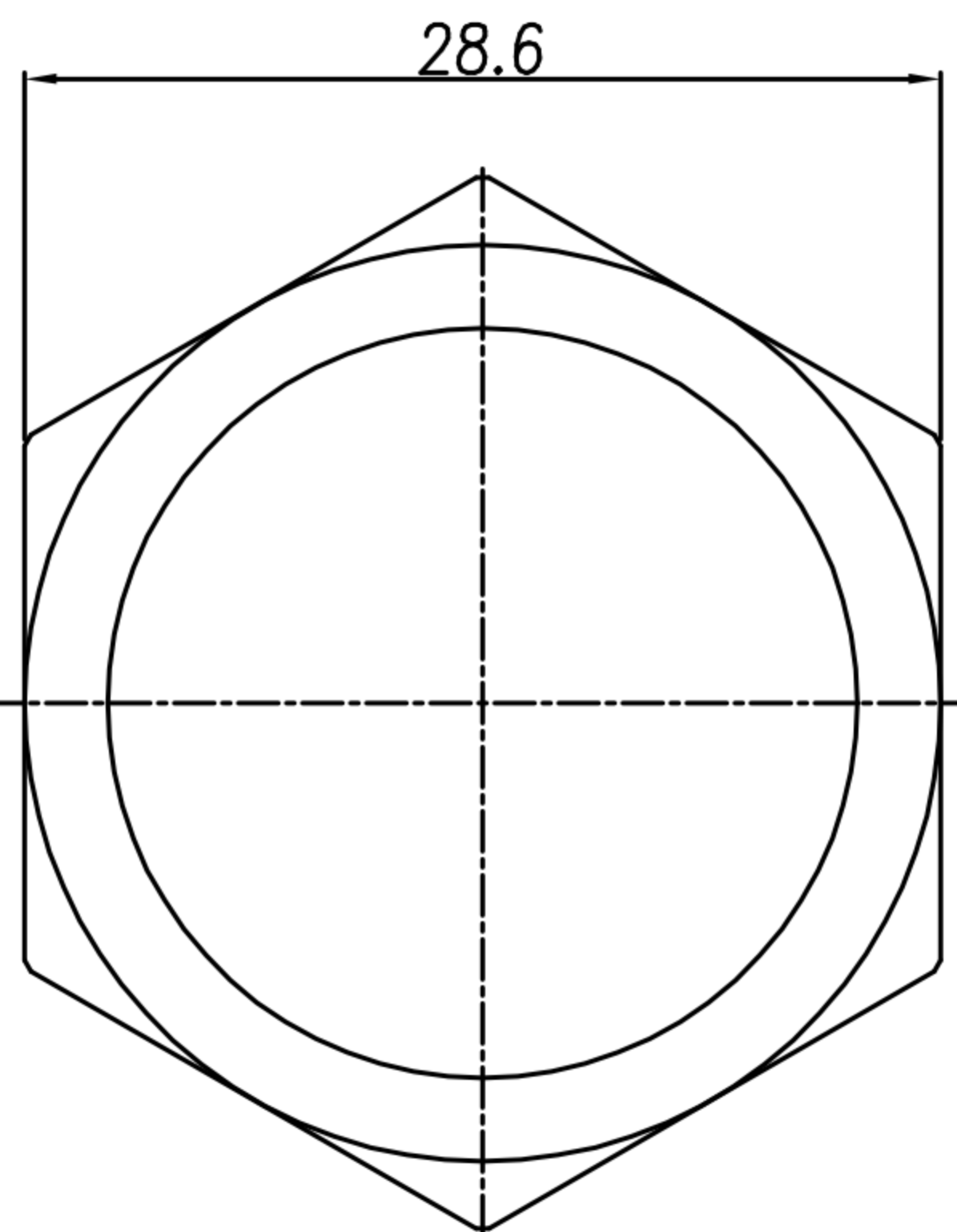
| REV. | DESCRIPTION | APPROVED BY | DATE | ECN NO. |
|------|--------------------|-------------|------------|---------|
| △A | RELEASE | Yeh Chou | 2017/09/07 | |
| △B | 增加視圖 & 修正墊圈材質與電度規格 | Ku Chou | 02/05/18' | |
| △C | | | | |



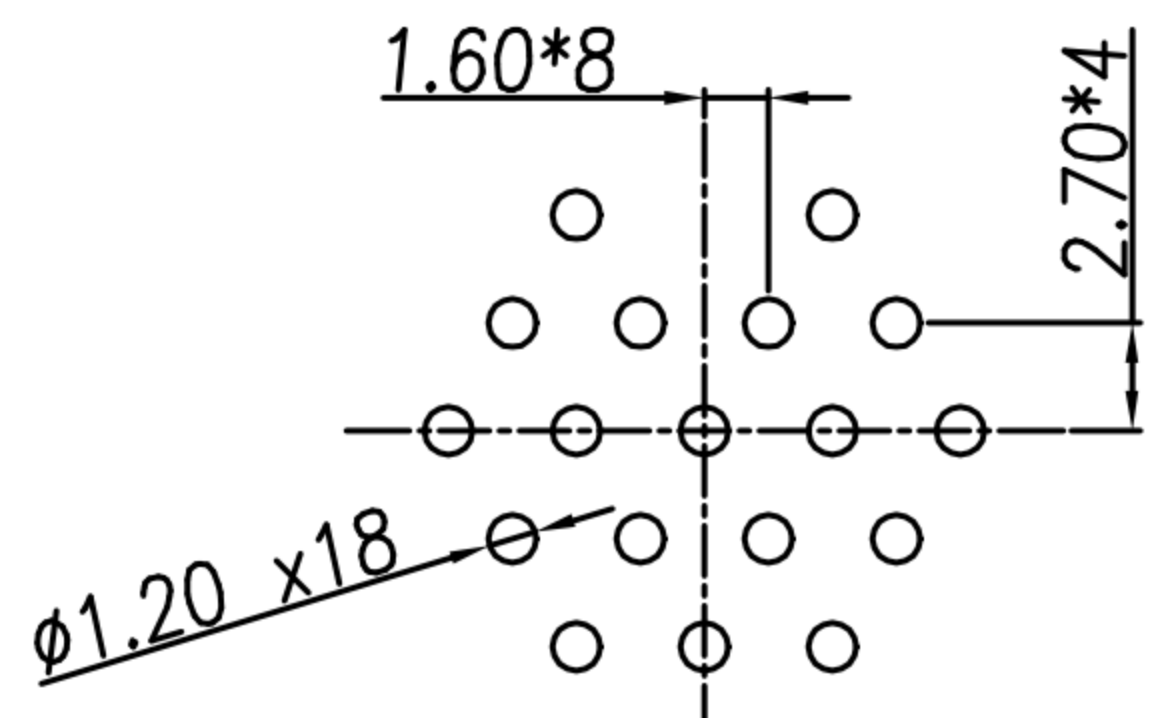
PIN CONFIGURATION



RECOMMEND PANEL HOLE



Hex Nut



PCB LAYOUT

1. MATERIAL :
 - 1-1. HOUSING : PA66
 - 1-2. CONTACT : BRASS
 - △ 1-3. GASKET : SILICONE
 - 1-4. HEX NUT : PA66
2. FINISH :
 - △ 2-1. CONTACT : GOLD FLASH PLATED
3. ELECTRICAL SPECIFICATION :
 - 3-1. Rated current : 5A
 - 3-2. Rated Voltage : 300V
4. Environmental :
 - 4-1. Operation Temperature : -40℃~105℃

| | | | | | | | | | | | | | | |
|-------|----------|-------|---------|-------|-----|-----------|--|--|----------|------------------------------|---------|--------|---------|--|
| DRAWN | Yeh Chou | APP'D | KU Chou | UNIT | mm | TOLERANCE | | | TITLE | D SIZE 18P (F) 螺牙 DIP (方型槽板) | | | SHEET | |
| CHK'D | KU Chou | | | SCALE | 1:1 | | | | PART NO. | WP-18F2-12-11 | DWG NO. | QC7898 | VERSION | |