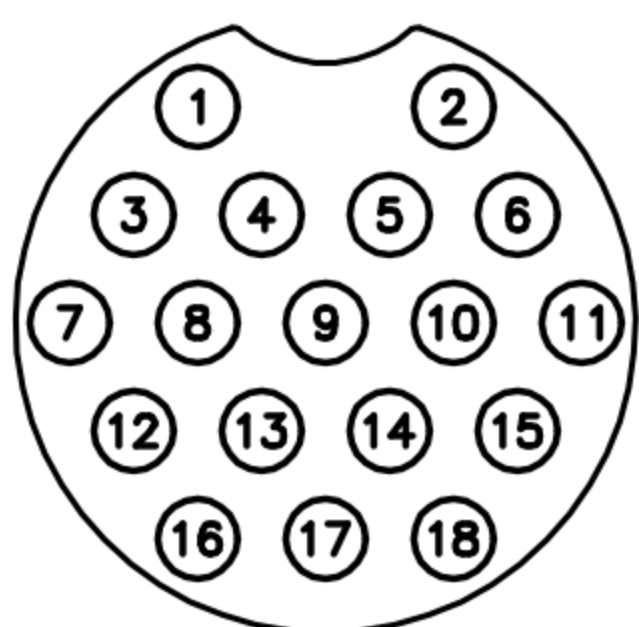
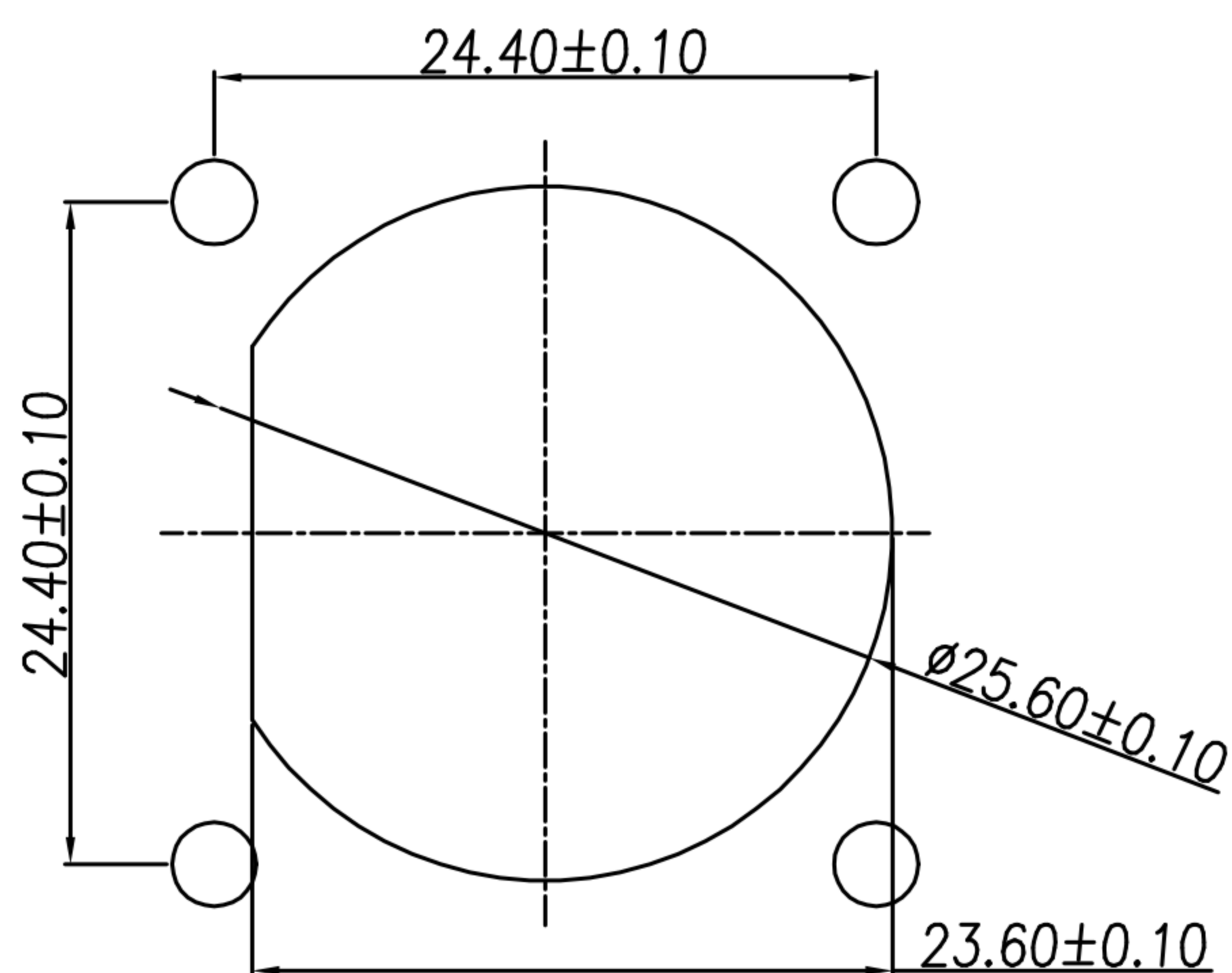
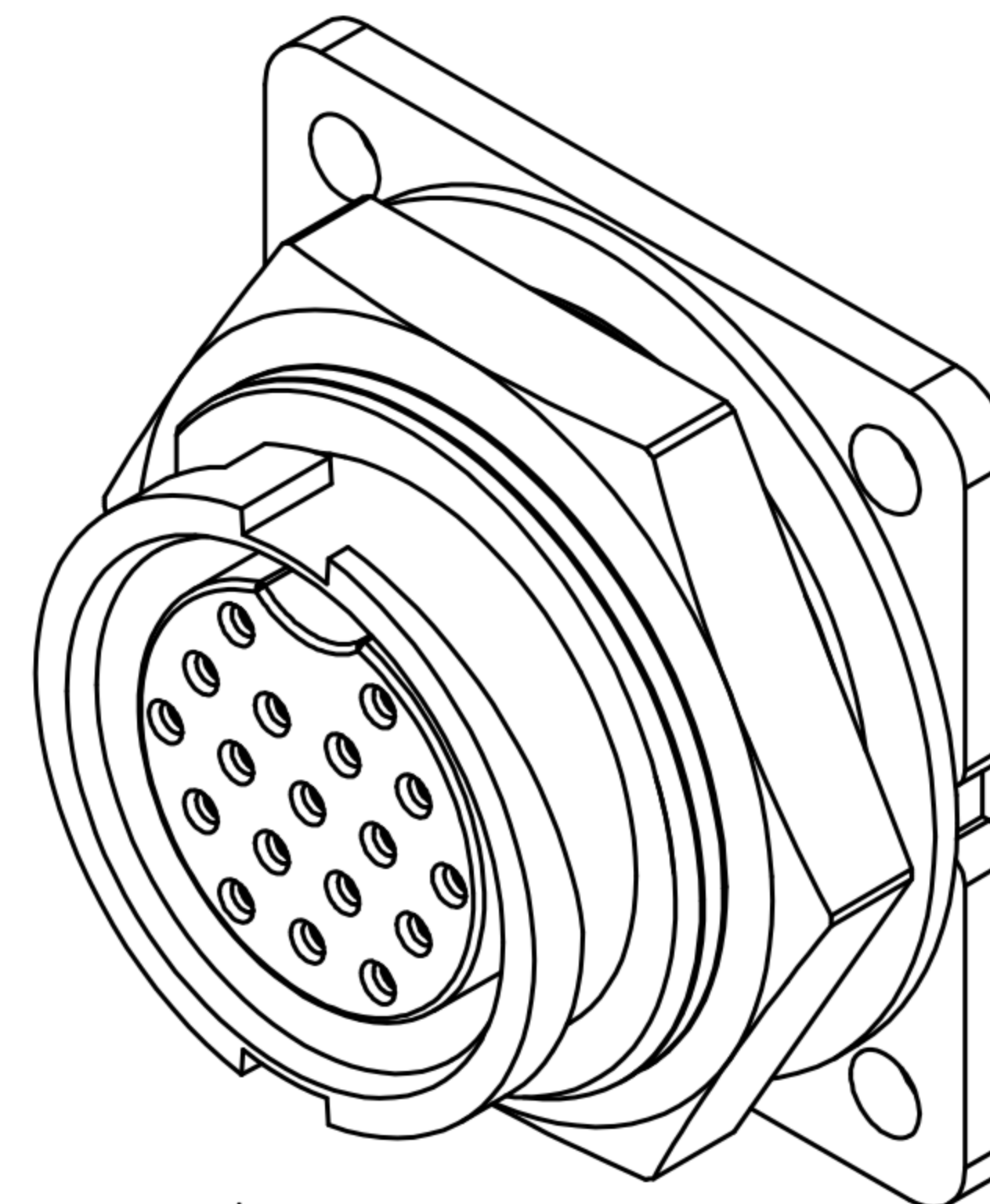
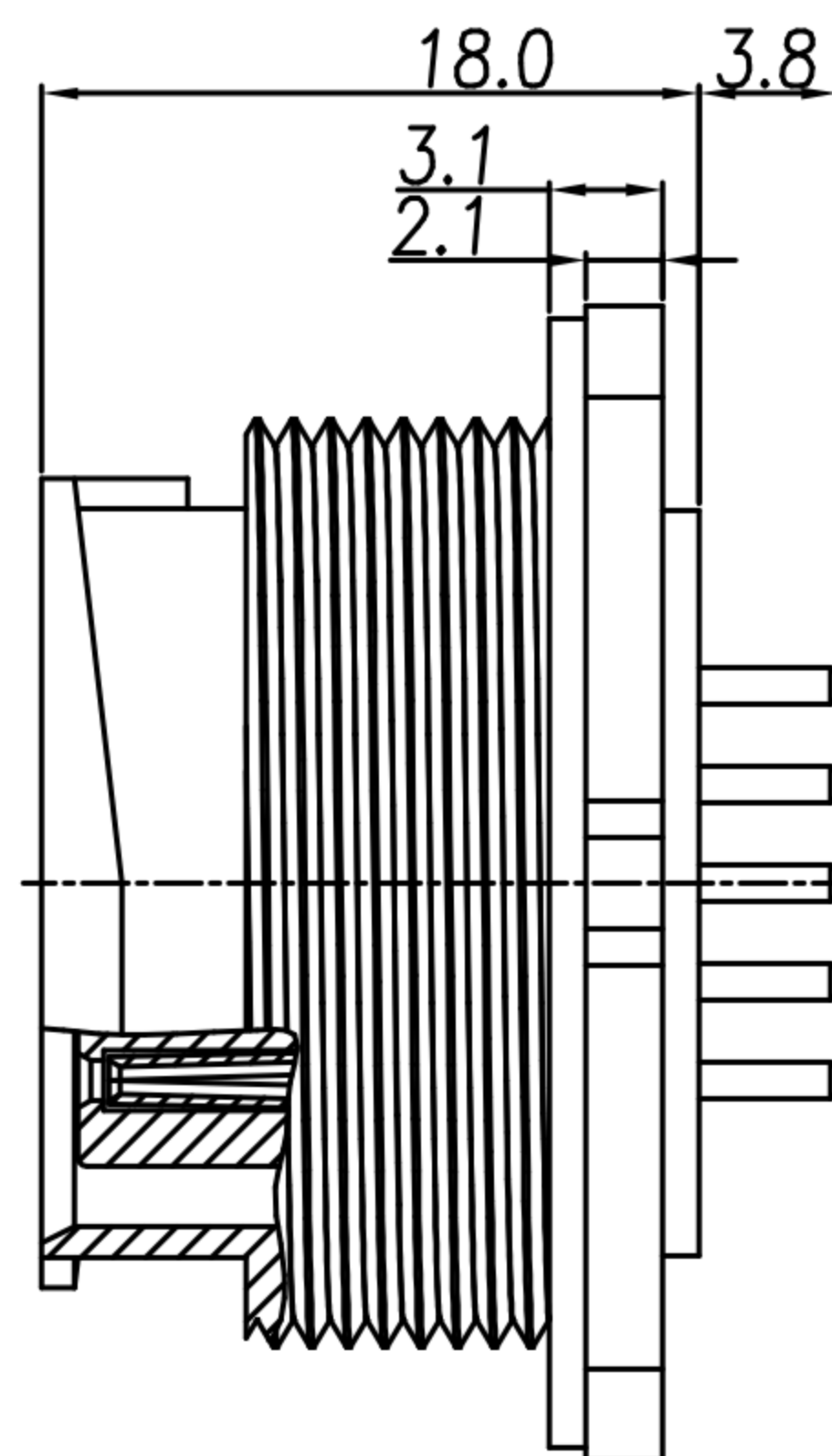
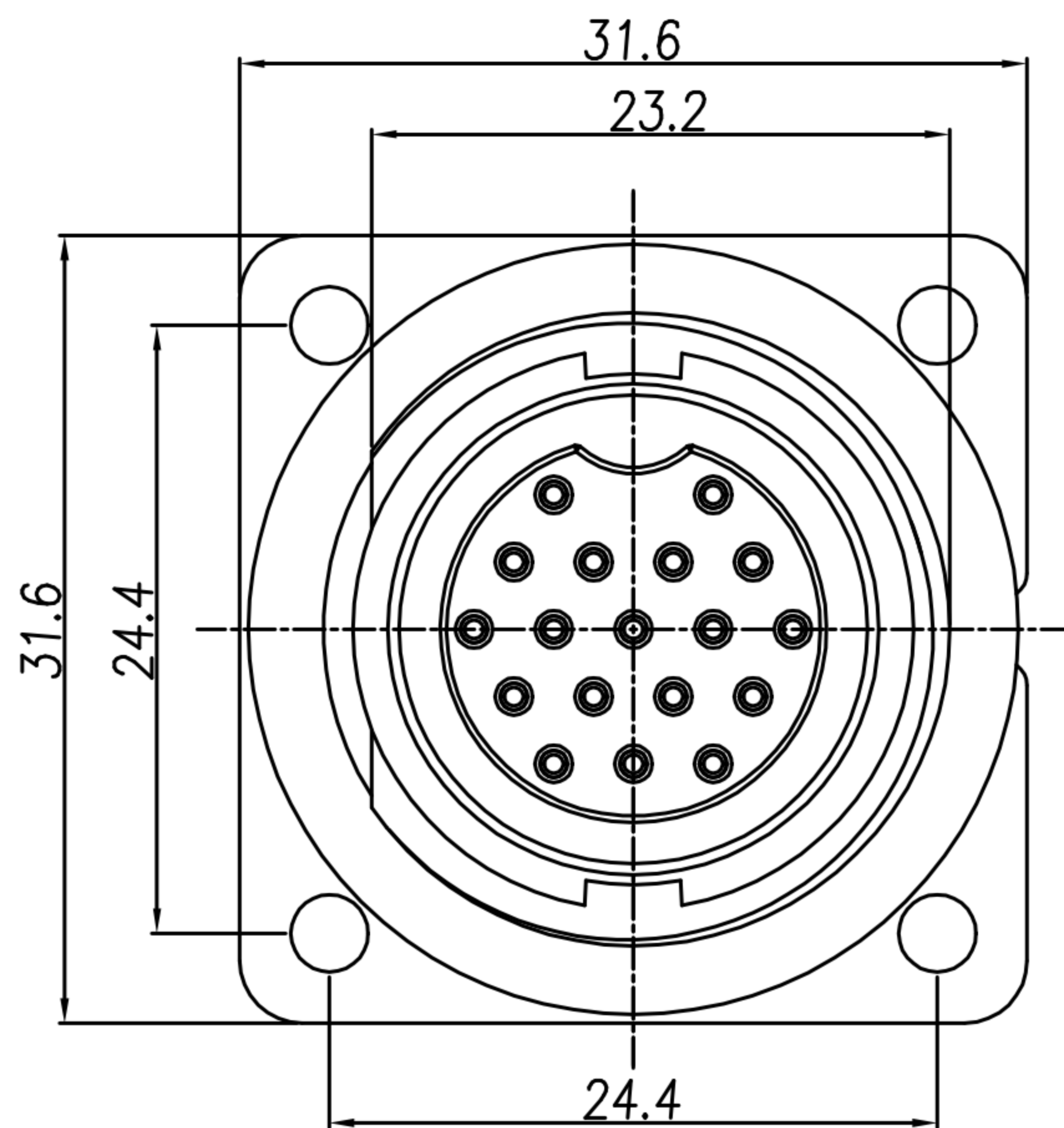


CUSTOMER DRAWING

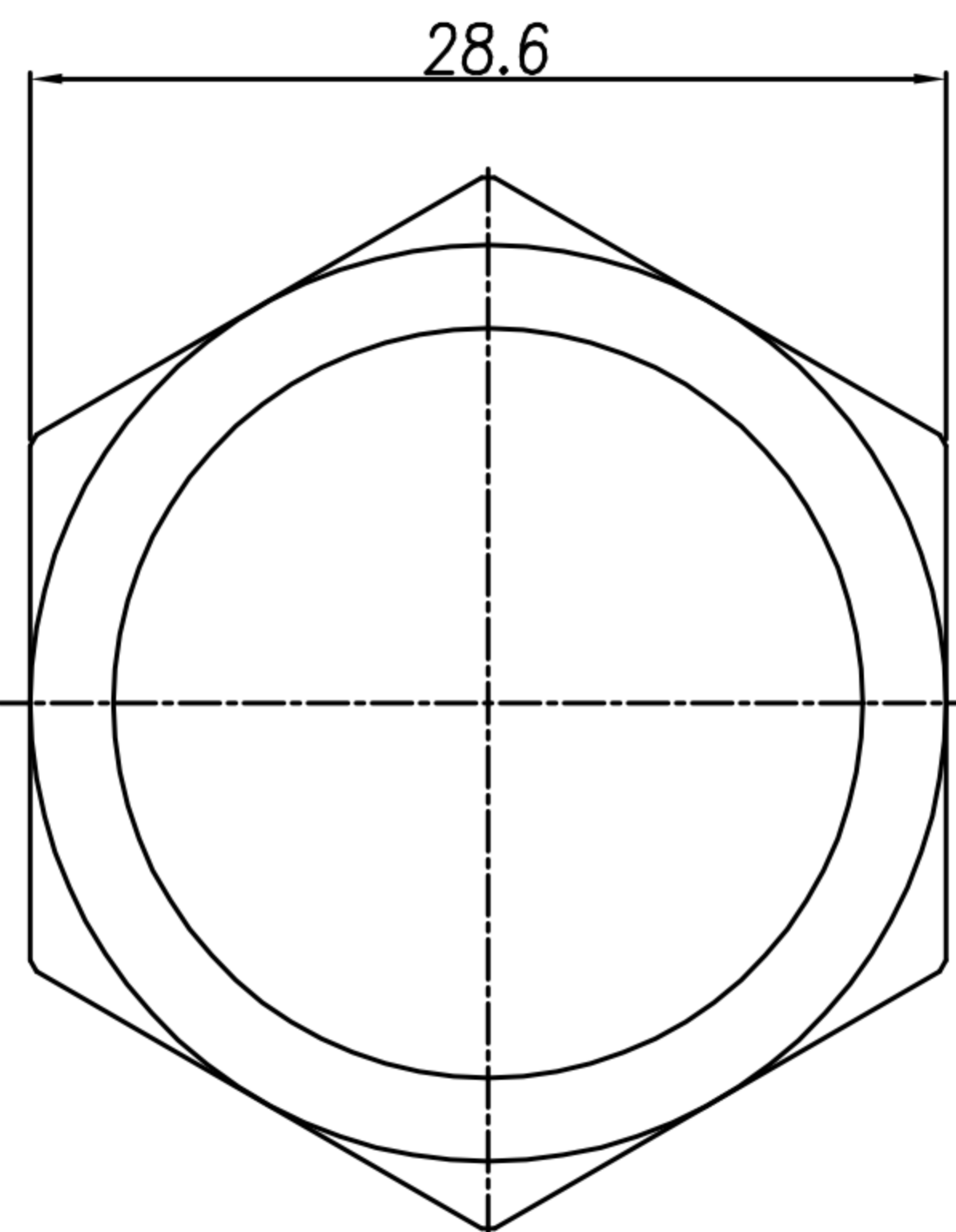
REV.	DESCRIPTION	APPROVED BY	DATE	ECN NO.
△A	RELEASE	Yeh Chou	2017/09/07	
△B	增加密視圖 & 修正墊圈材質與電度規格	Ku Chou	02/05/18'	
△C				



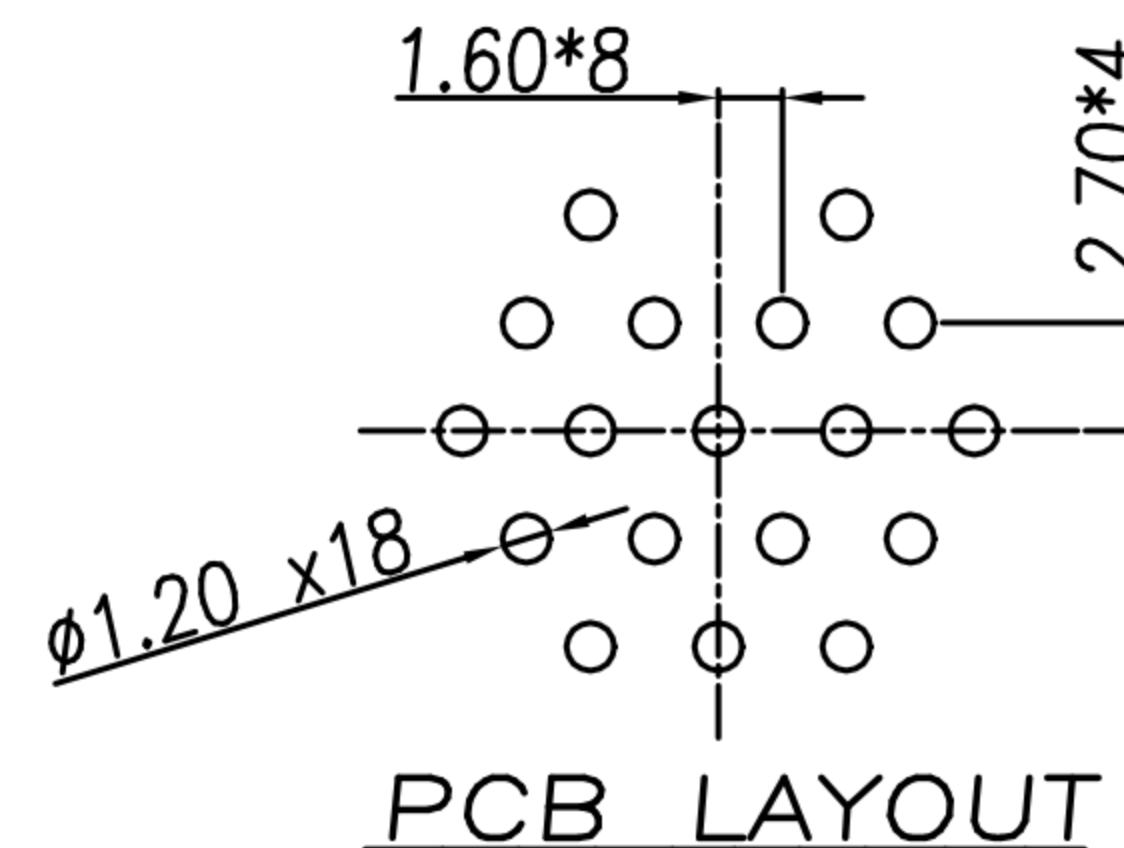
PIN CONFIGURATION



RECOMMEND PANEL HOLE



Hex Nut



PCB LAYOUT

- MATERIAL :
  - 1-1. HOUSING : PA66
  - 1-2. CONTACT : BRASS
  - △ 1-3. GASKET : SILICONE
  - 1-4. HEX NUT : PA66
- FINISH :
  - △ 2-1. CONTACT : GOLD FLASH PLATED
- ELECTRICAL SPECIFICATION :
  - 3-1. Rated current : 5A
  - 3-2. Rated Voltage : 300V
- Environmental :
  - 4-1. Operation Temperature : -40℃~105℃

DRAWN	Yeh Chou	APP'D	KU Chou	UNIT	mm	TOLERANCE			TITLE	D SIZE 18P (F) 快鎖 DIP (方型槽板)			SHEET	
CHK'D	KU Chou			SCALE	1:1				PART NO.	WP-18F2-06-11	DWG NO.	QC7892	VERSION	