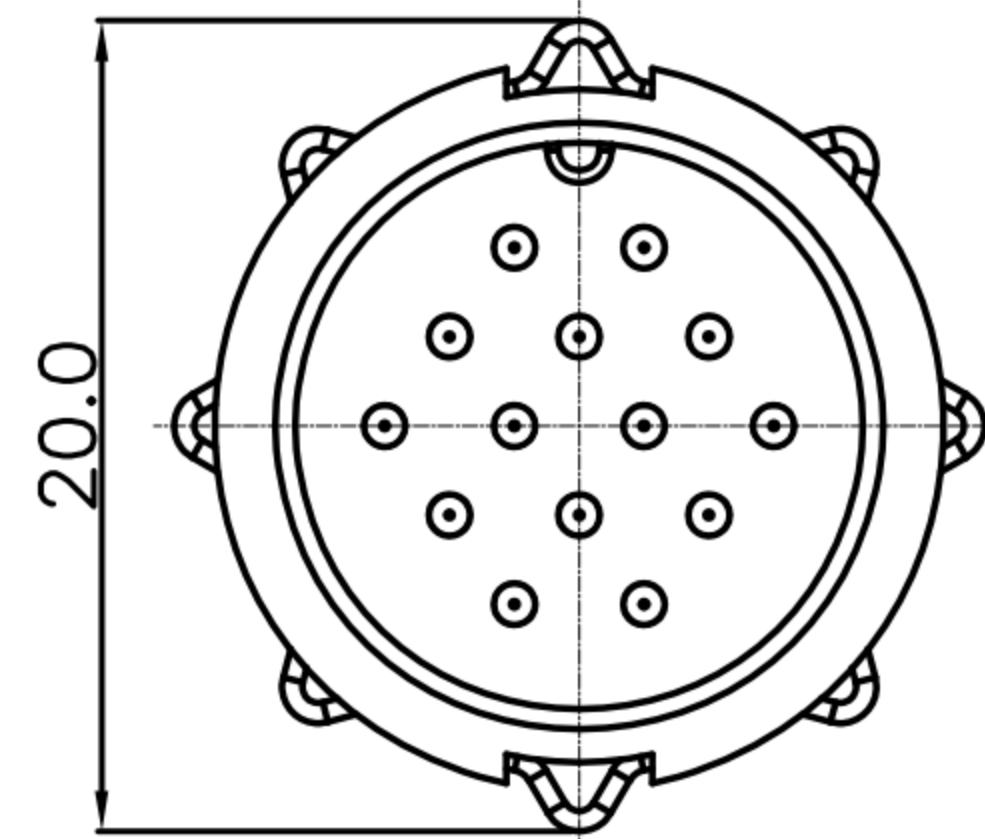
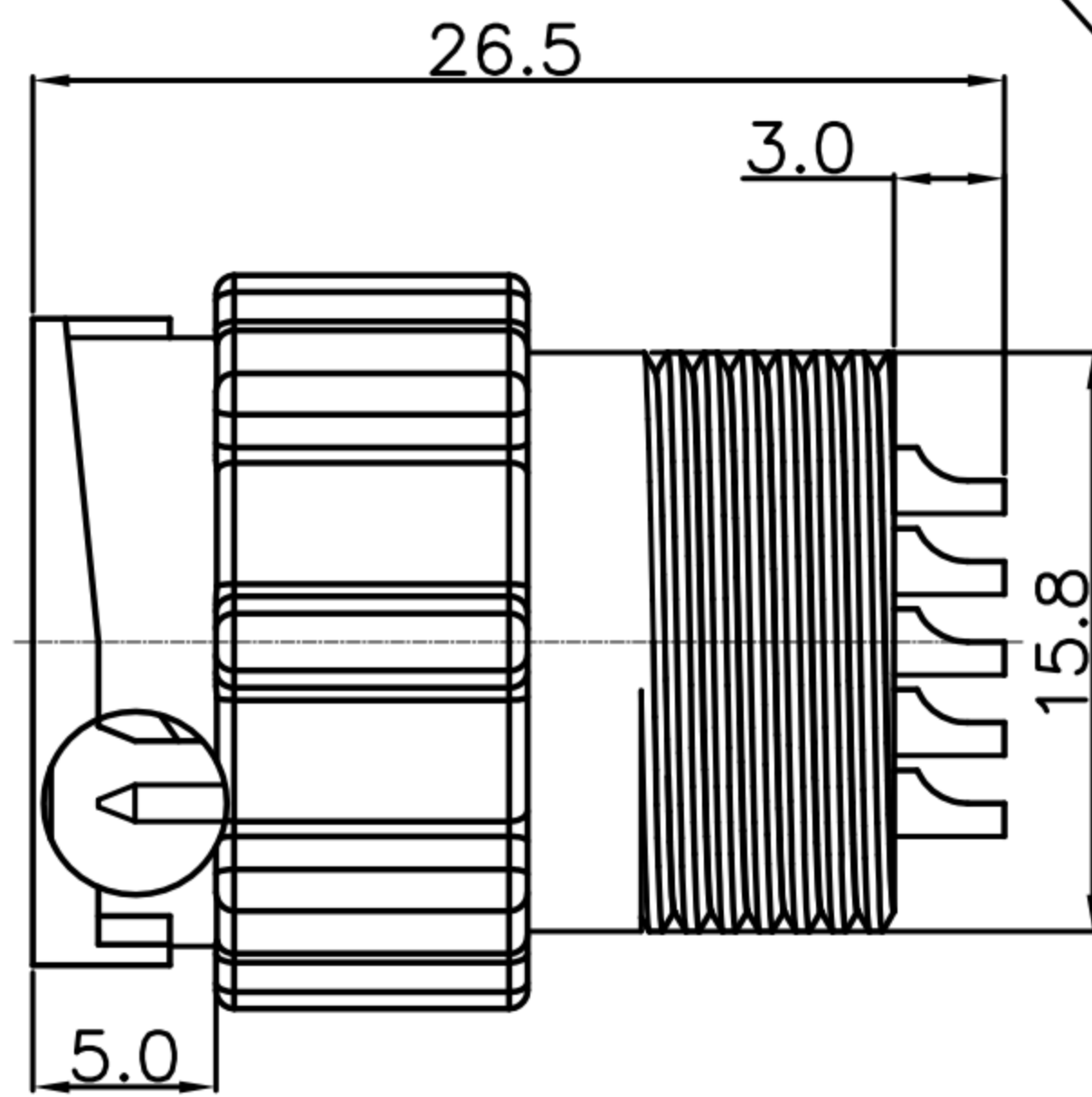


CUSTOMER DRAWING

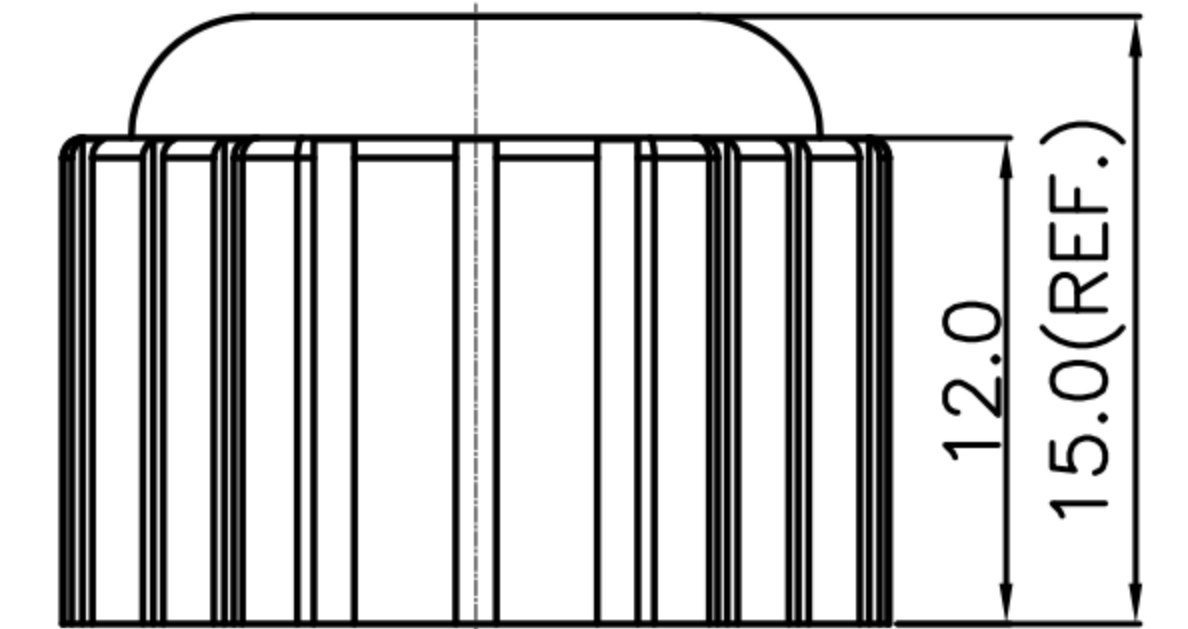
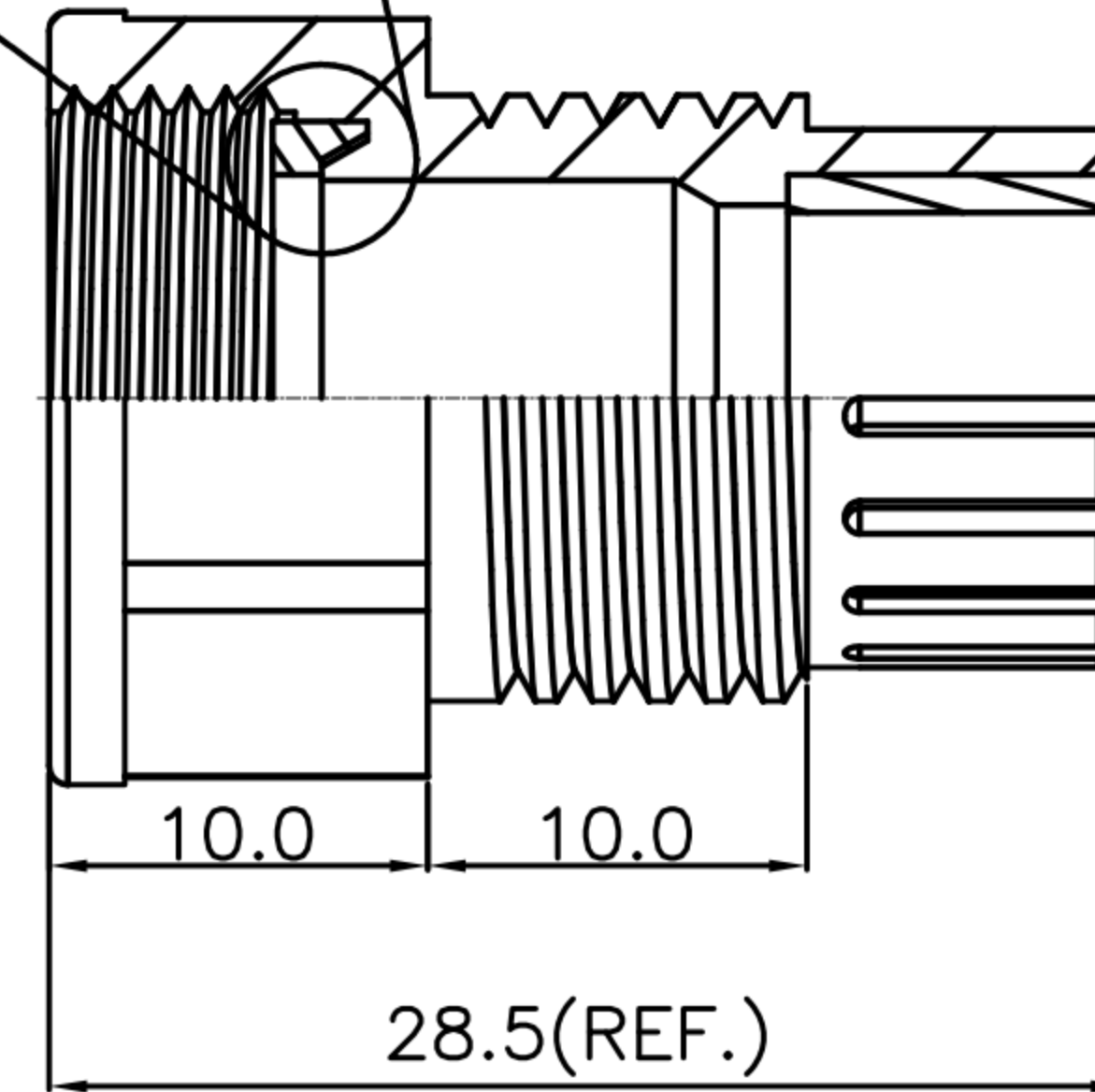
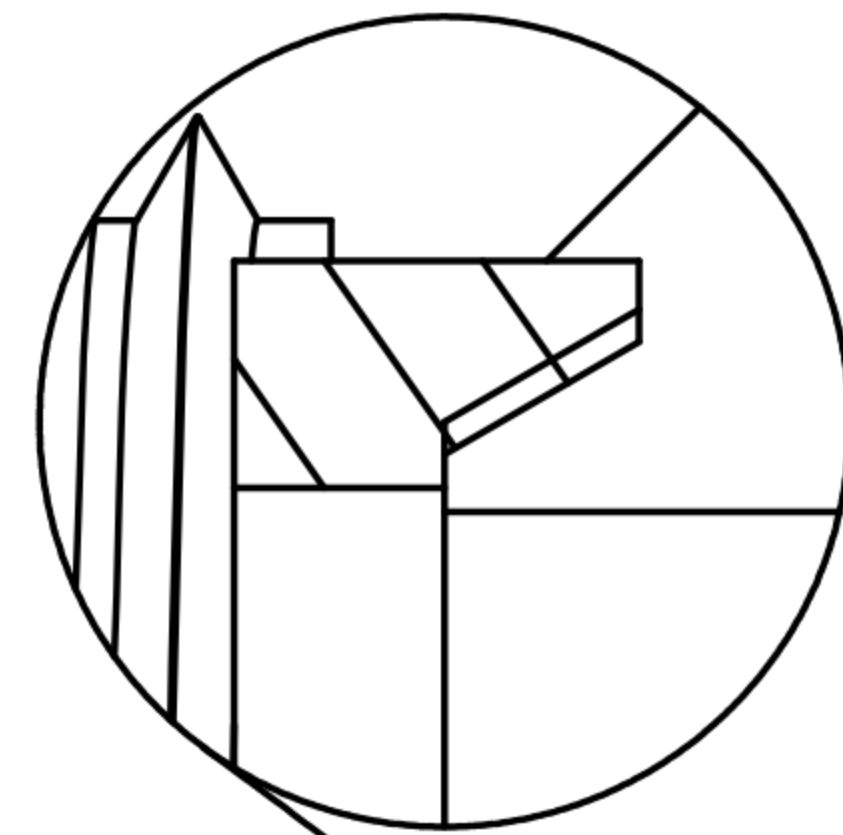
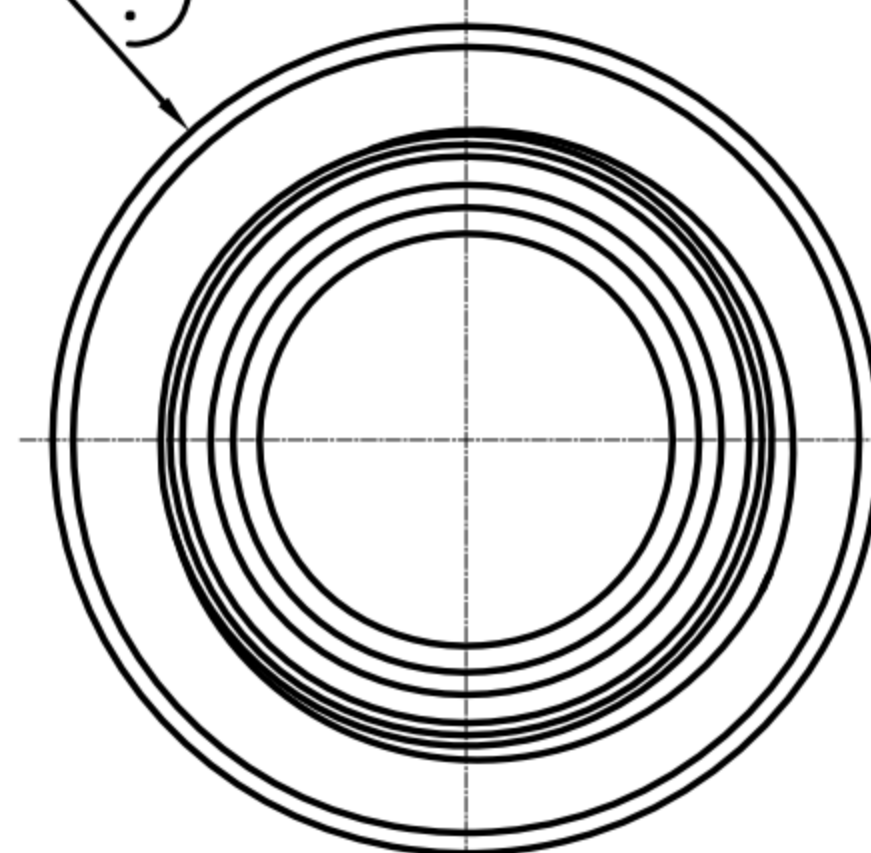
REV.	DESCRIPTION	APPROVED BY	DATE	ECN NO.
A	RELEASE	Ku Chou	20/11/18'	
B				
C				



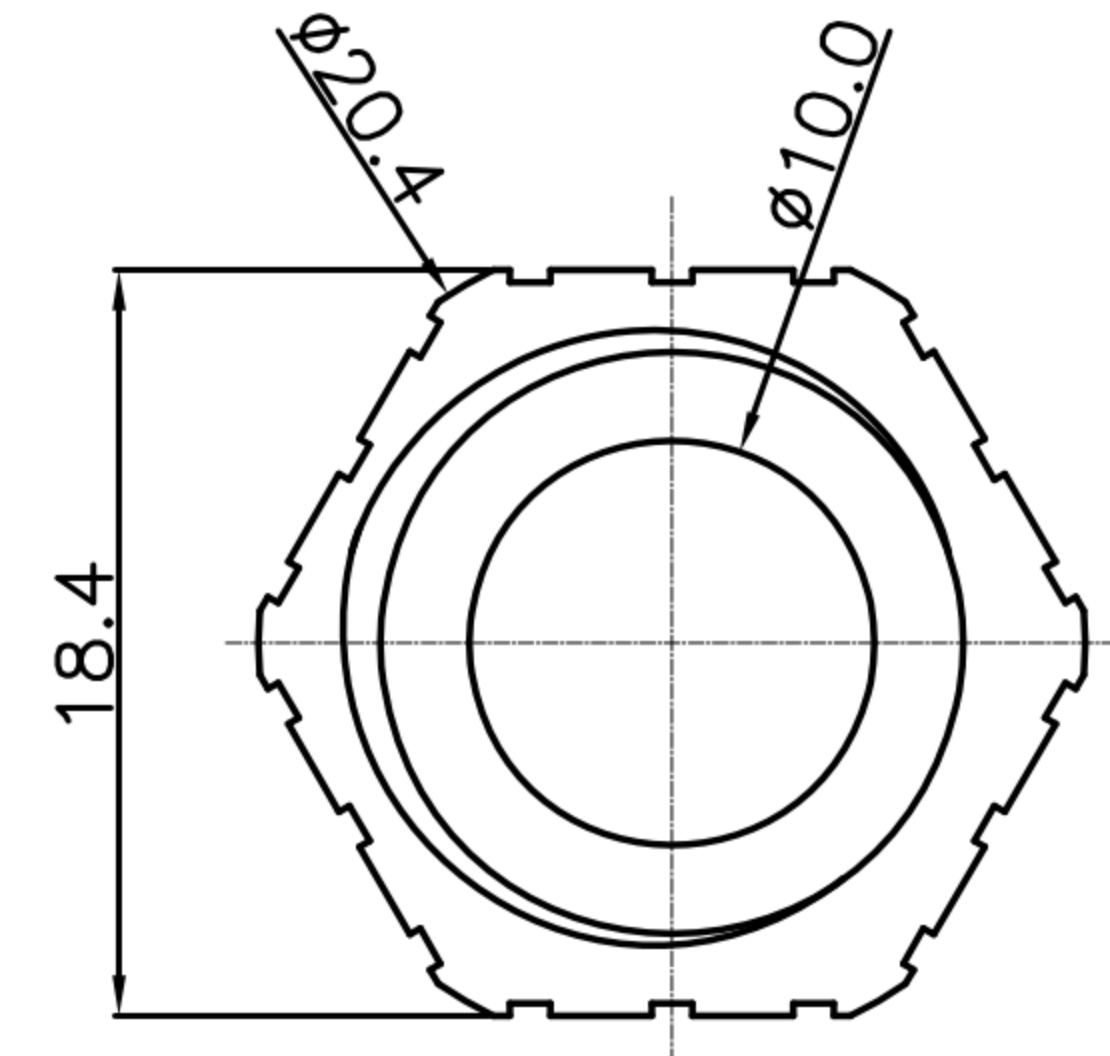
HOUSING & CONTACT



CLAMP & GASKET & SEAL



SEALING NUT

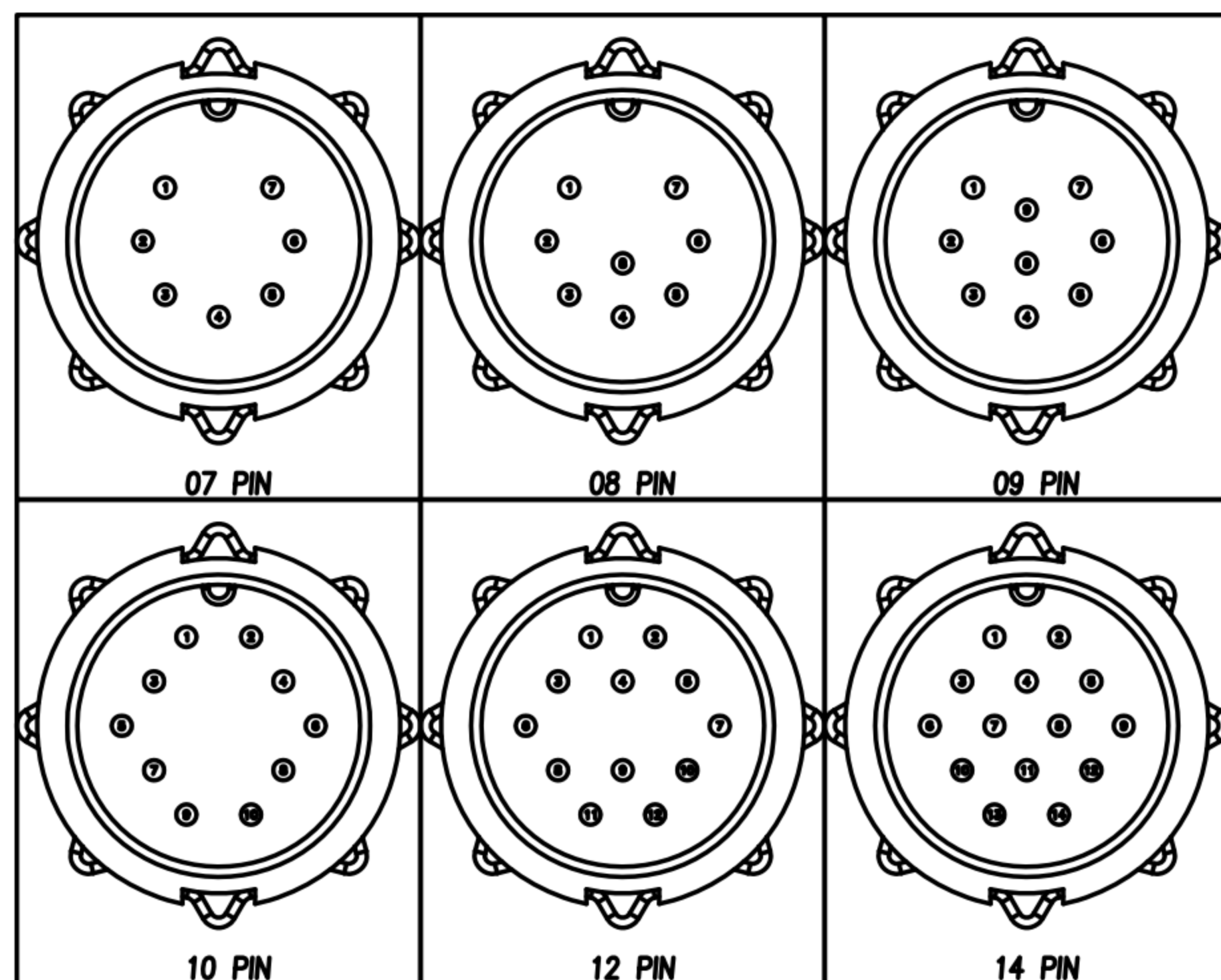


DRAWN	Emily Suen	APP'D	Ku Chou	UNIT	mm	TOLERANCE			TITLE	WP M CONN. M PIIN C SIZE ASSEMBLY TYPE(LOCK)-5A			SHEET	
CHK'D	Ku Chou			SCALE	1:1	.x ±0.20 .xx ±0.10 .xxx ±0.05 .xxxx ±0.03 ANGULAR ±1°			PART NO.	SEE TABLE A	DWG NO.	QC9737	VERSION	

CUSTOMER DRAWING

REV.	DESCRIPTION	APPROVED BY	DATE	ECN NO.
△A	RELEASE	Ku Chou	20/11/18'	
△B				
△C				

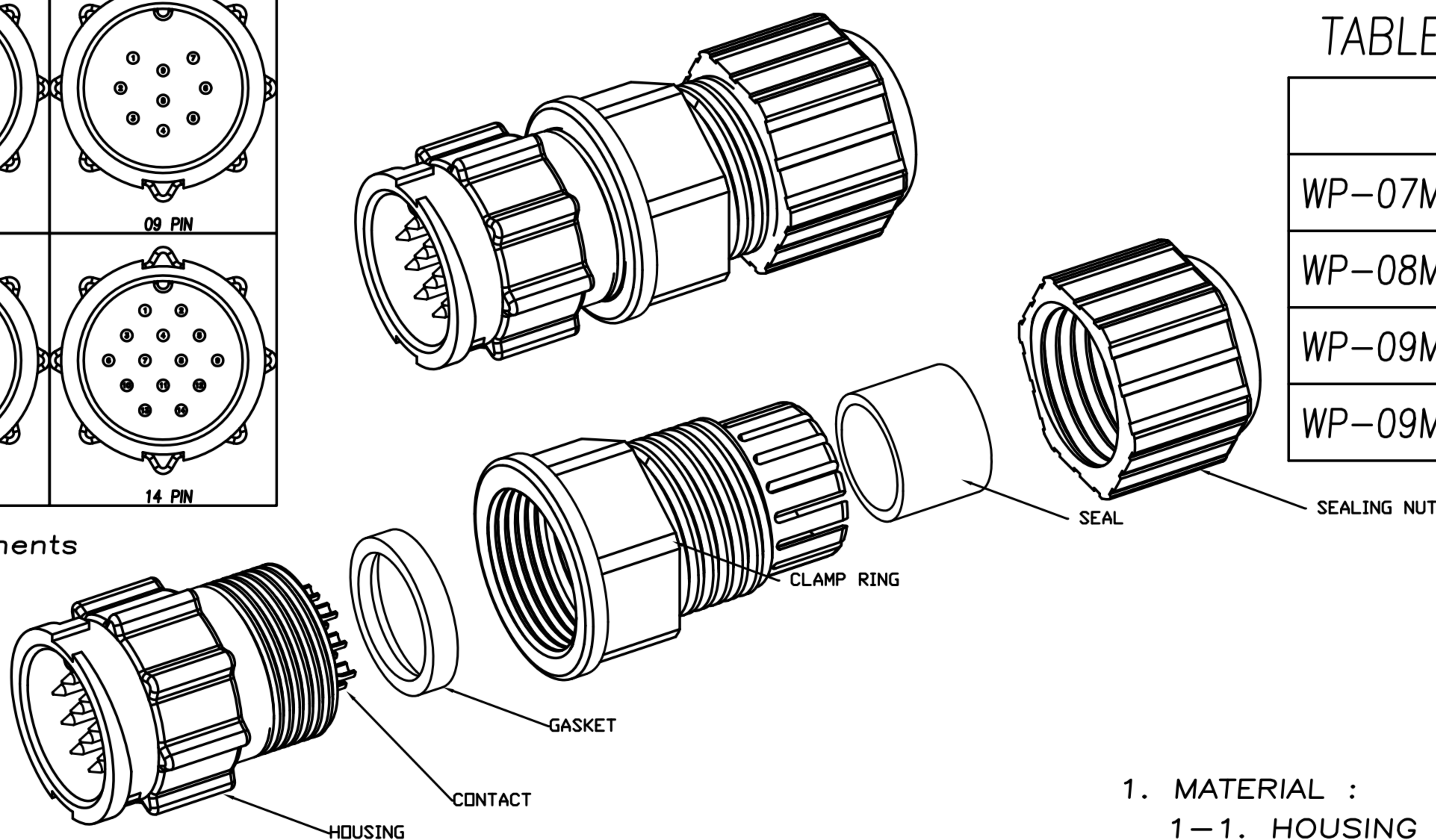
TABLE A



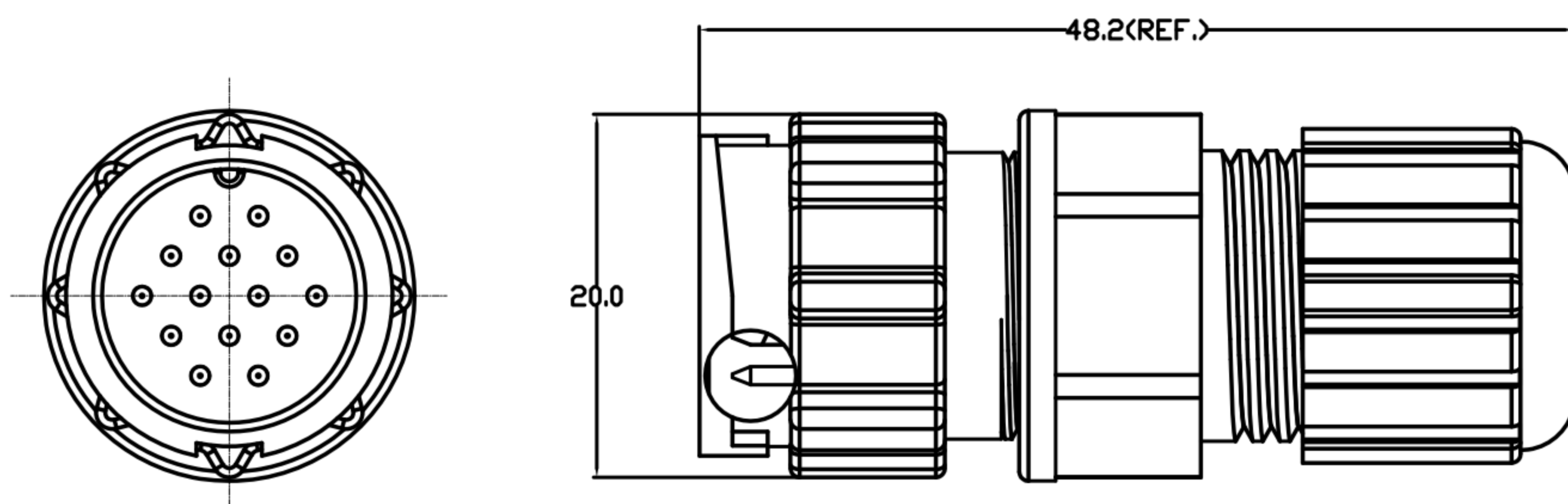
Pin Assignments
Front View

TABLE A

P/N	CABLE OD ϕ
WP-07M2-20-11	$\phi 6.5\text{mm} \sim \phi 7.6\text{mm}$
WP-08M2-104-11	$\phi 6.5\text{mm} \sim \phi 7.6\text{mm}$
WP-09M2-19-11	$\phi 6.5\text{mm} \sim \phi 7.6\text{mm}$
WP-09M2-22-11	$\phi 8.6\text{MM} \sim \phi 9.6\text{MM}$



- MATERIAL :
 - HOUSING : PA66
 - CONTACT : BRASS
 - GASKET : SILICONE
 - CLAMP RING : PA66
 - SEAL : SILICONE
 - SEALING NUT : PA66
- FINISH :
 - CONTACT : GOLD FLASH PLATED.
- ELECTRICAL SPECIFICATION :
 - Rated current : 5A
 - Rated Voltage : 250V
 - Water proof : IP67
- Environmental :
 - Operation Temperature : $-40^{\circ}\text{C} \sim 105^{\circ}\text{C}$



DRAWN	Emily Suen	APP'D	Ku Chou	UNIT	mm	TOLERANCE		TITLE	WP M CONN. M PIIN C SIZE ASSEMBLY TYPE(LOCK)-5A			SHEET	1/2
CHK'D	Ku Chou			SCALE	1:1	.x ± 0.20 .xx ± 0.10 .xxx ± 0.05 .xxxx ± 0.03 ANGULAR $\pm 1^{\circ}$		PART NO.	SEE TABLE A	DWG NO.	QC9737	VERSION	A