

# CUSTOMER DRAWING

REV.	DESCRIPTION	APPROVED BY	DATE	ECN NO.
A	RELEASE	Ku Chou	10/03/20*	
B				
C				

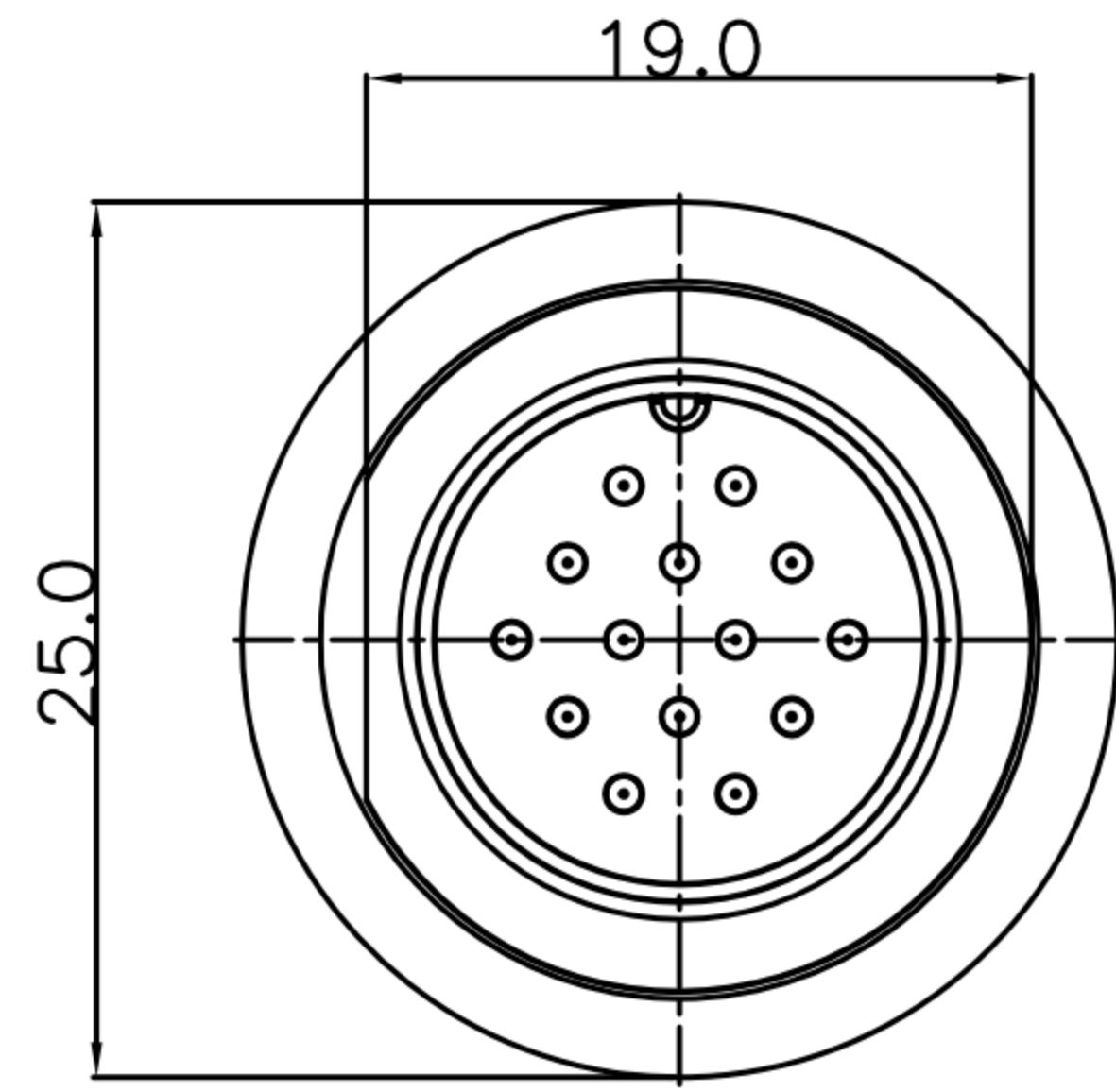
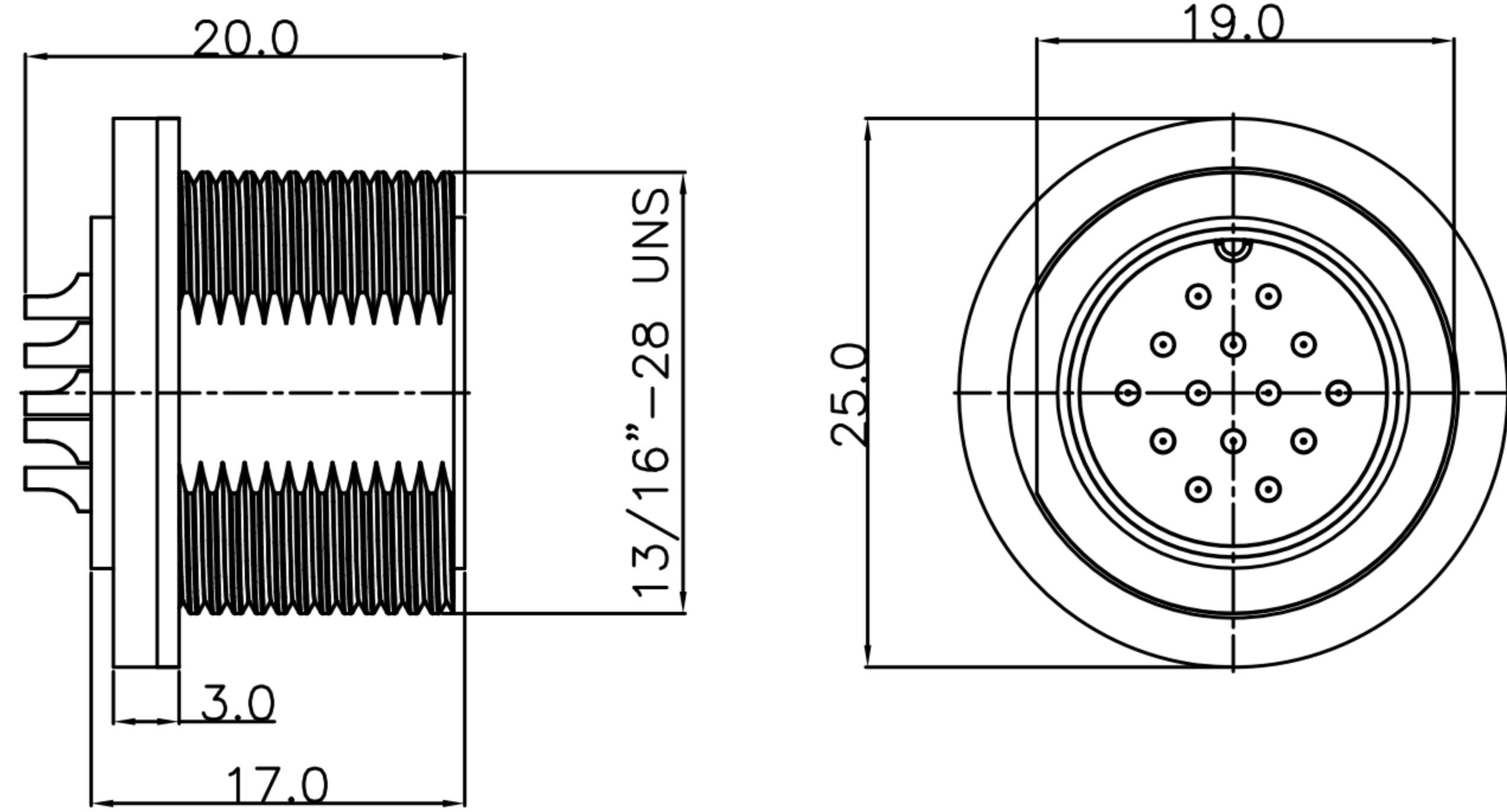
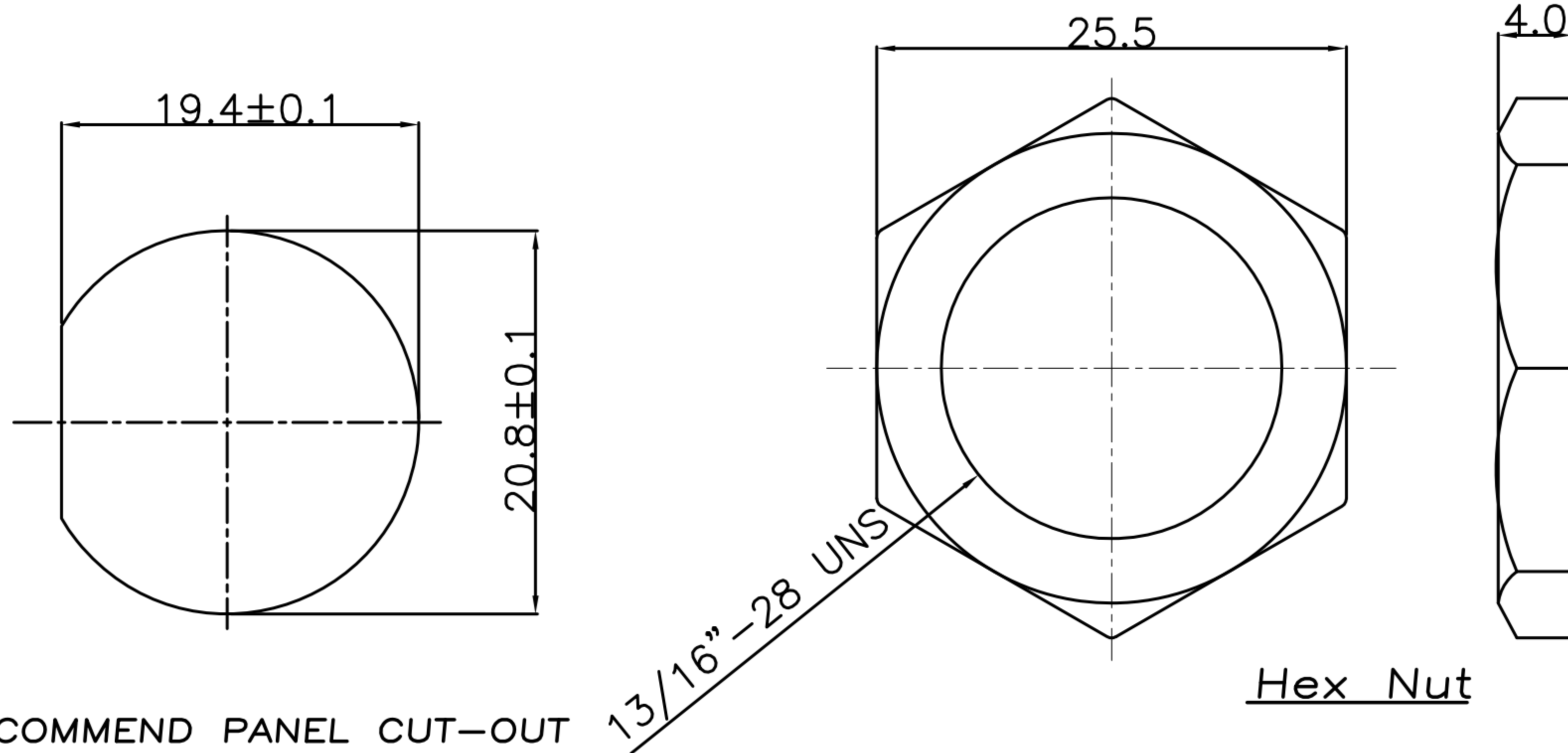


TABLE A

WP-07M2-23-11	WP-08M2-119-11	WP-09M2-21-11
WP-10M2-19-11	WP-12M2-31-11	WP-14M2-04-11

Pin Assignments

- MATERIAL :
  - HOUSING : PA66
  - CONTACT : BRASS
  - GASKET : SILICONE
  - HEX NUT : PA66
- FINISH :
  - CONTACT : GOLD FLASH PLATED.
- ELECTRICAL SPECIFICATION :
  - Rated current : 5A
  - Rated Voltage : 250V
  - Water proof : IP67
- Environmental :
  - Operation Temperature :  $-40^{\circ}\text{C} \sim 105^{\circ}\text{C}$



RECOMMEND PANEL CUT-OUT

Hex Nut

DRAWN	Emily Suen	APP'D	Ku Chou	UNIT	mm	TOLERANCE			TITLE	WP C Size(M) Front Lock Solder Type(Screw Thread)			SHEET	
CHK'D	Ku Chou			SCALE	1:1				PART NO.	SEE TABLE A	DWG NO.	QC10206	VERSION	

广东科斯达电子科技有限公司  
GUANG DONG KE SI DA ELECTRONIC TECHNOLOGY CO., LTD.