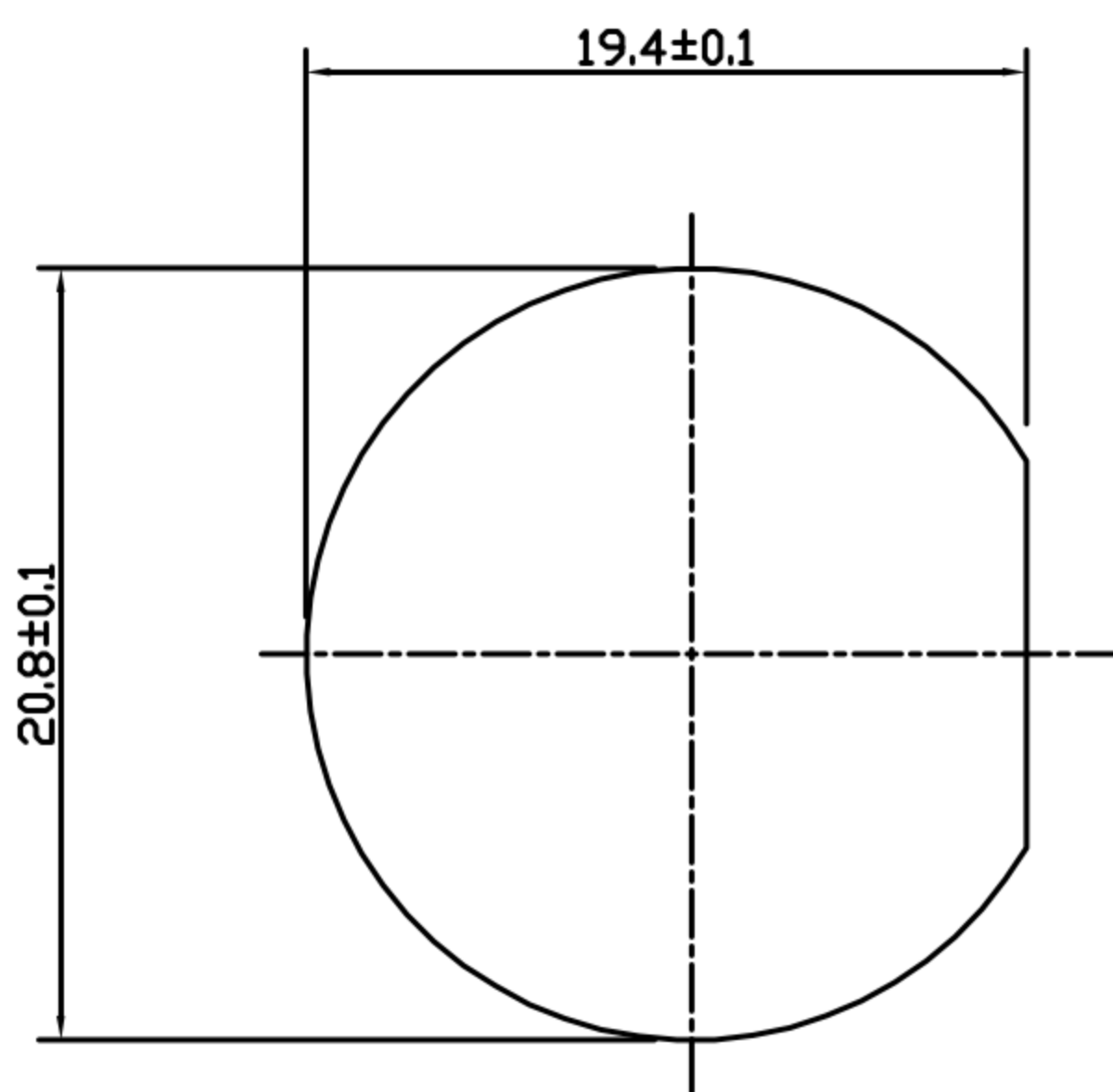
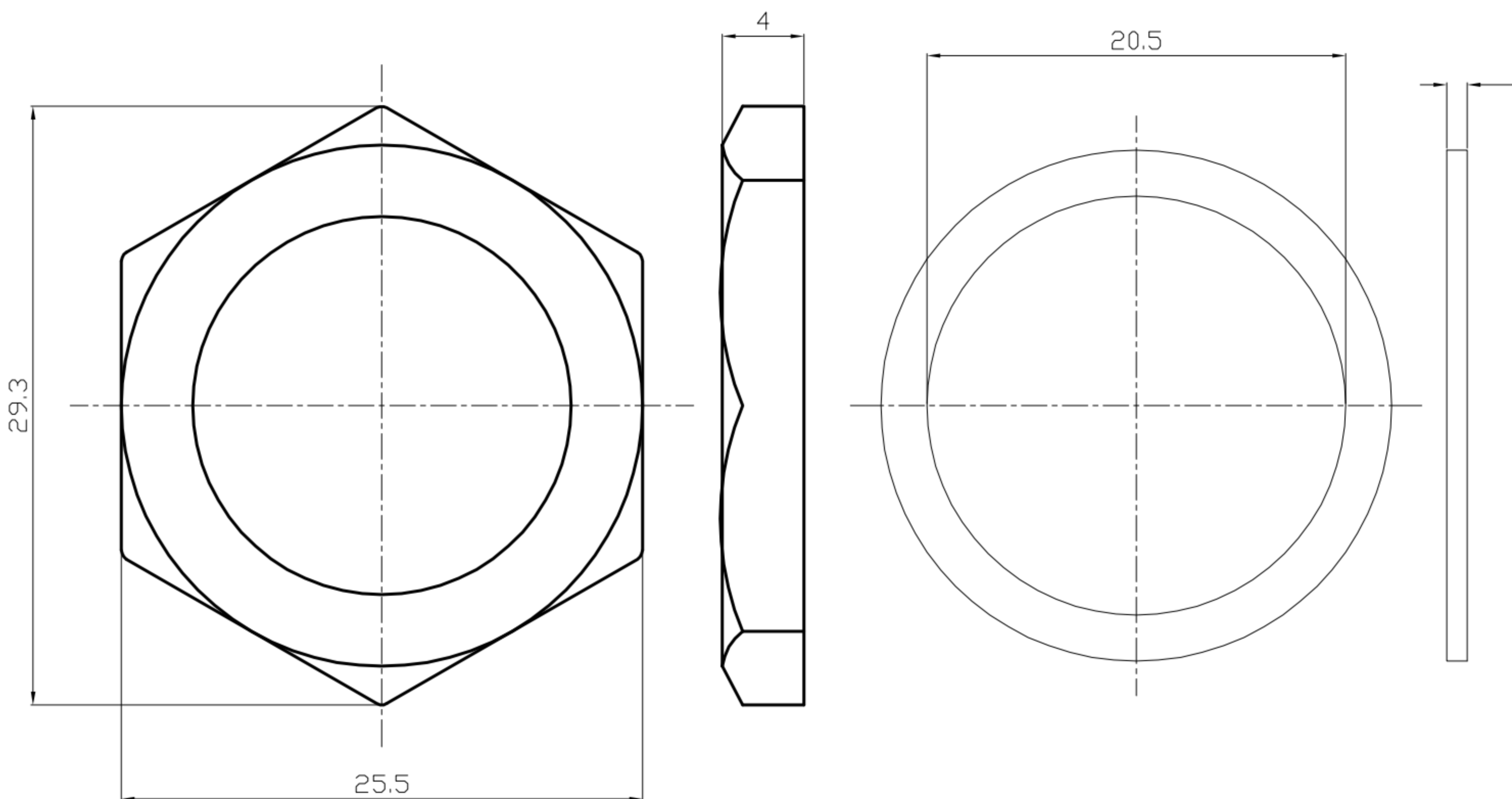
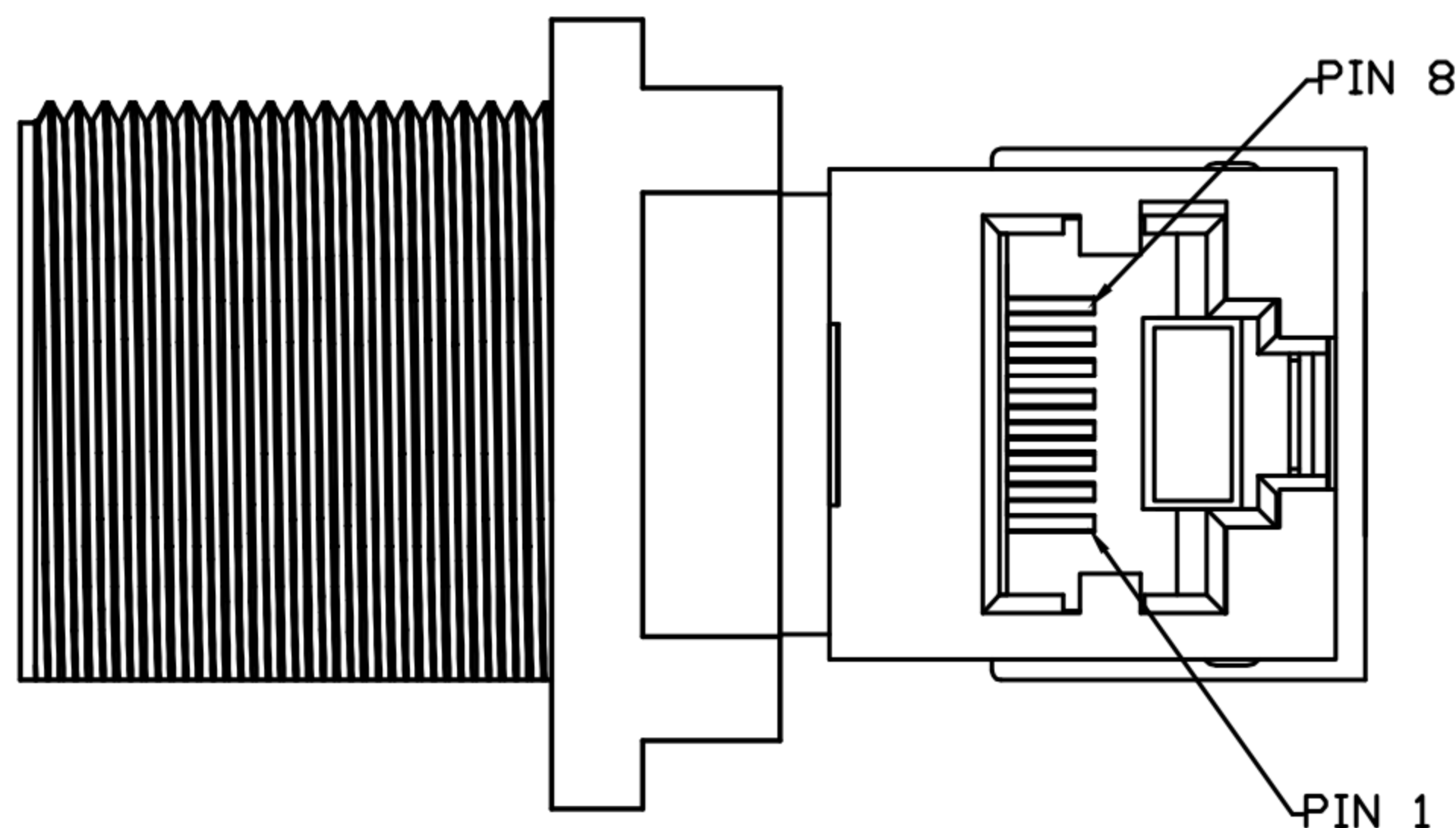


CUSTOMER DRAWING

REV.	DESCRIPTION	APPROVED BY	DATE	ECN NO.
A	RELEASE	KU Chou	14/06/19*	
B				
C				

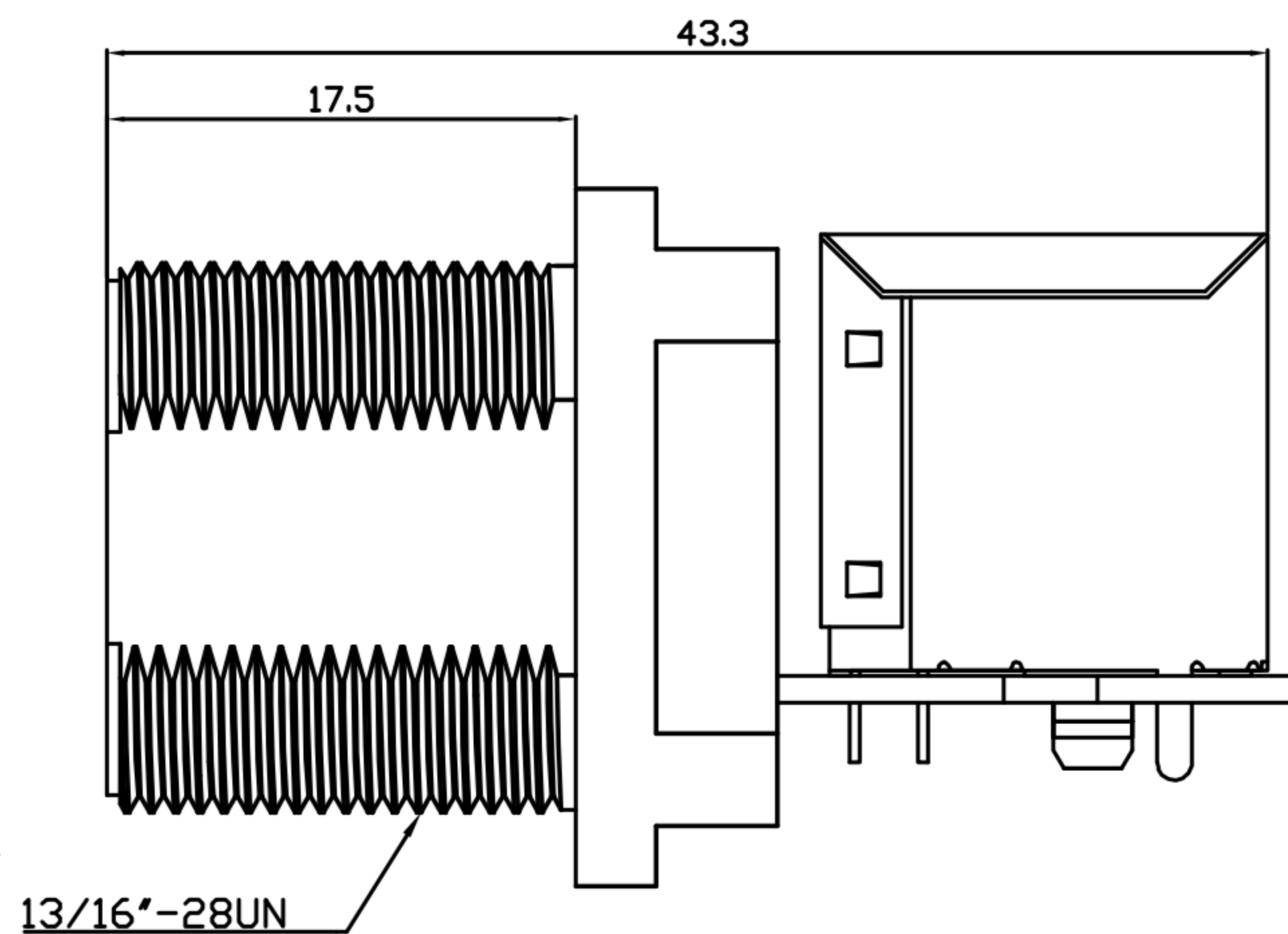
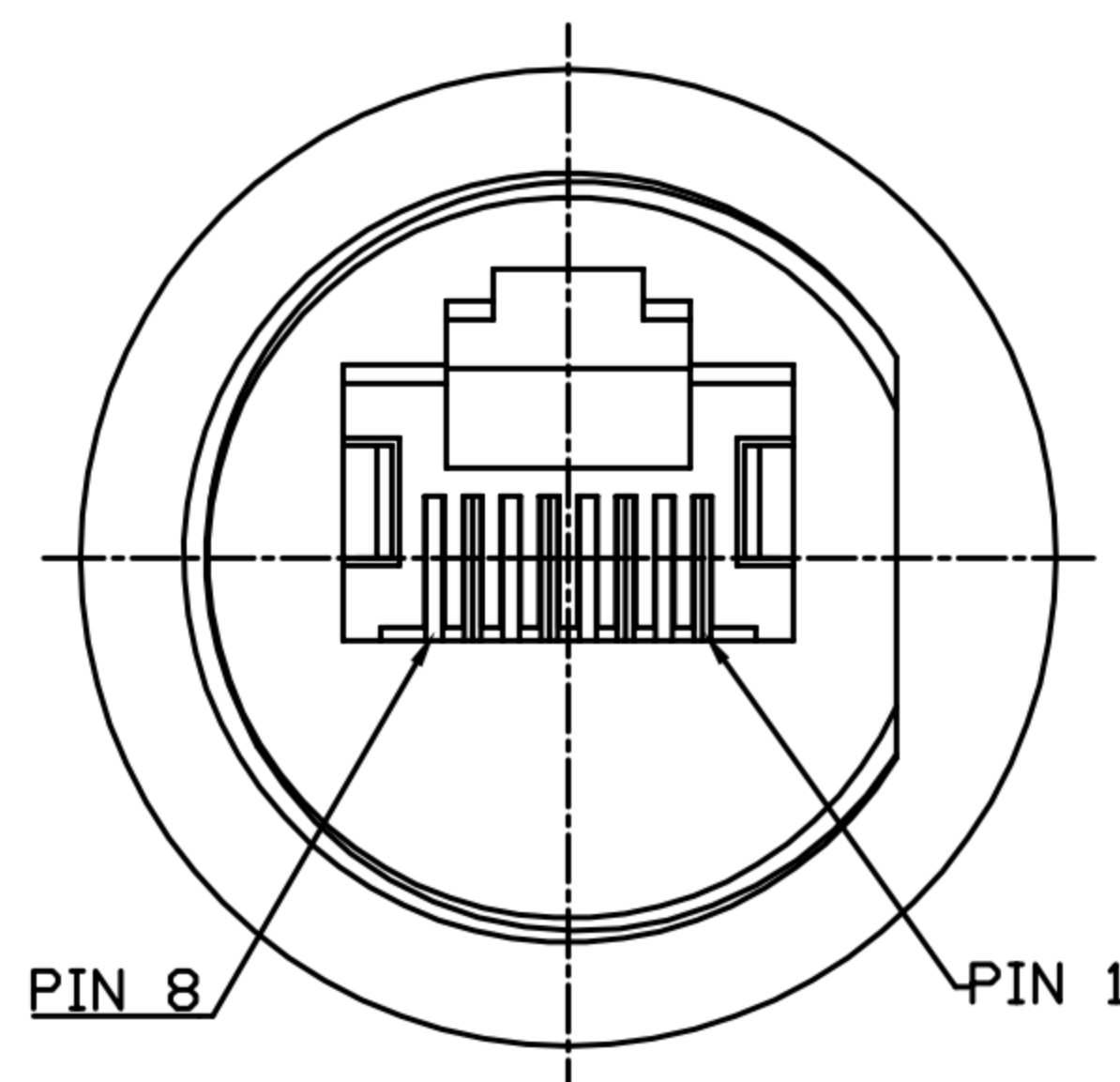


Recommended Panel Cut-Out



Nut

Gasket



- MATERIAL :
 - 1-1. HOUSING : PBT UL94V-0 ; COLOR : BLACK.
 - 1-2. CONTACT : PHOSPHOR BRONZE
 - 1-3. SHELL : PA66 UL94V-0 ; COLOR : BLACK.
 - 1-4. GROUND : SUS
 - 1-5. GASKET : SILICON ; COLOR : GRAY BLACK.
 - 1-6. NUT : PA66
- FINISH :
 - 2-1. CONTACT : GOLD PLATED
 - 2-2. GROUND : NICKEL PLTAE.
- ELECTRICAL SPECIFICATION :
 - 3-1. Rated current : 1.5A
 - 3-2. Rated voltage : 125V AC
 - 3-3. Water proof : IPX7
- Environmental :
 - 4-1. Operation Temperature : -40℃~85℃

DRAWN	Yeh Chou	APP'D	KU Chou	UNIT	mm	TOLERANCE			TITLE	Waterproof RJ45 8PIN(F) 前鎖180°轉接頭-Screw Thread			SHEET	1
CHK'D	KU Chou			SCALE	1:1				PART NO.	RJ-08F2-19-11	DWG NO.	QC9313	VERSION	A