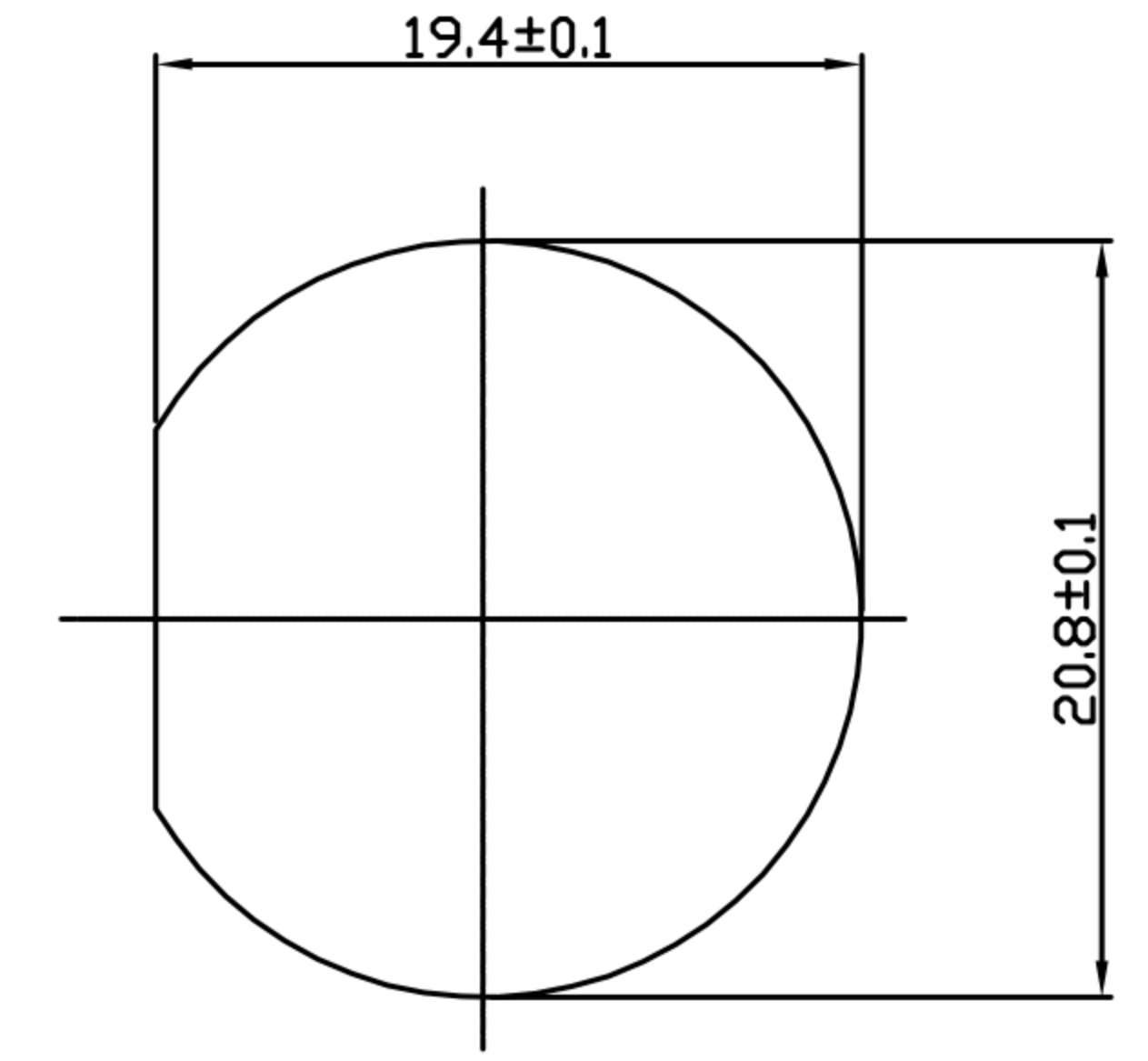
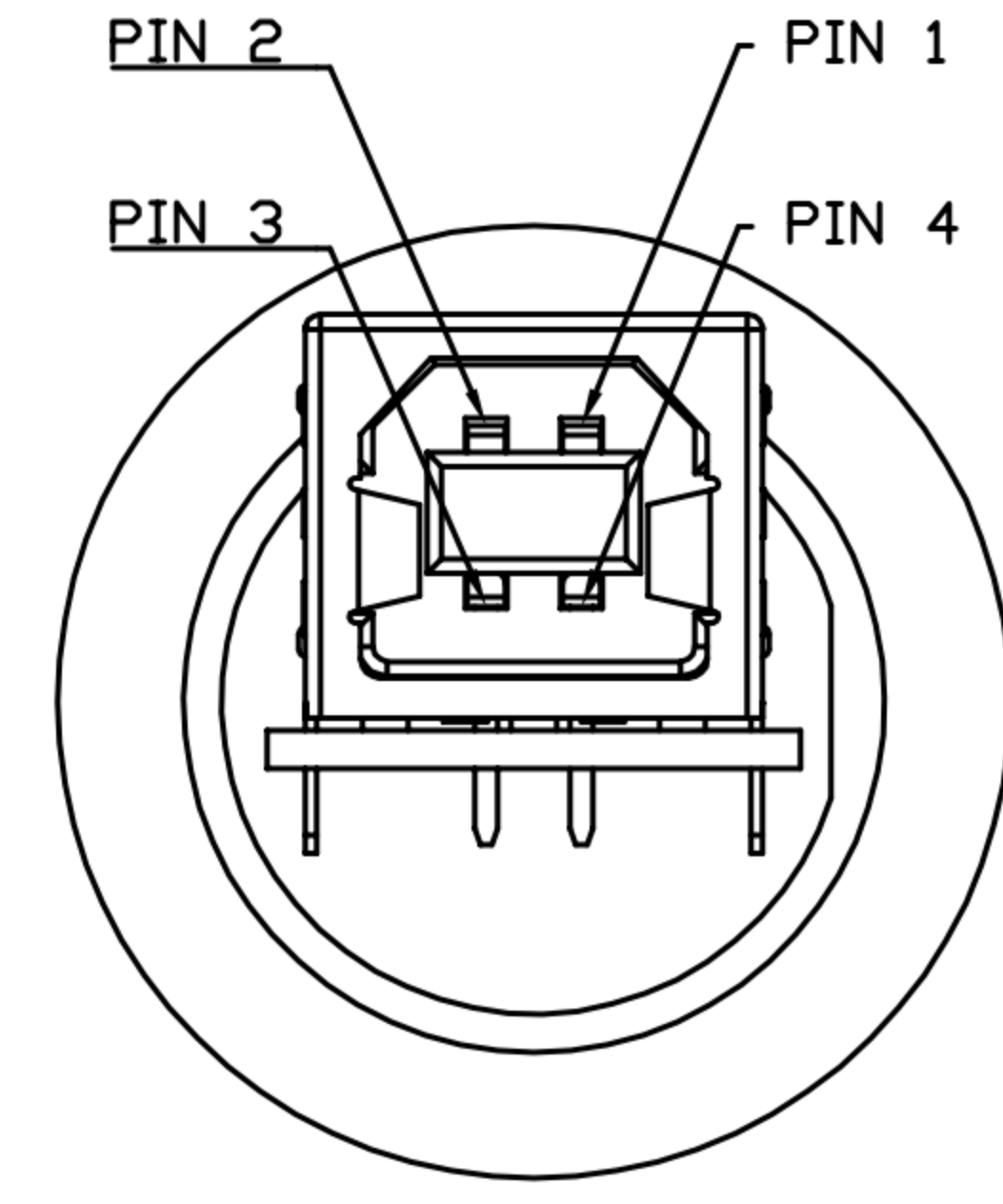
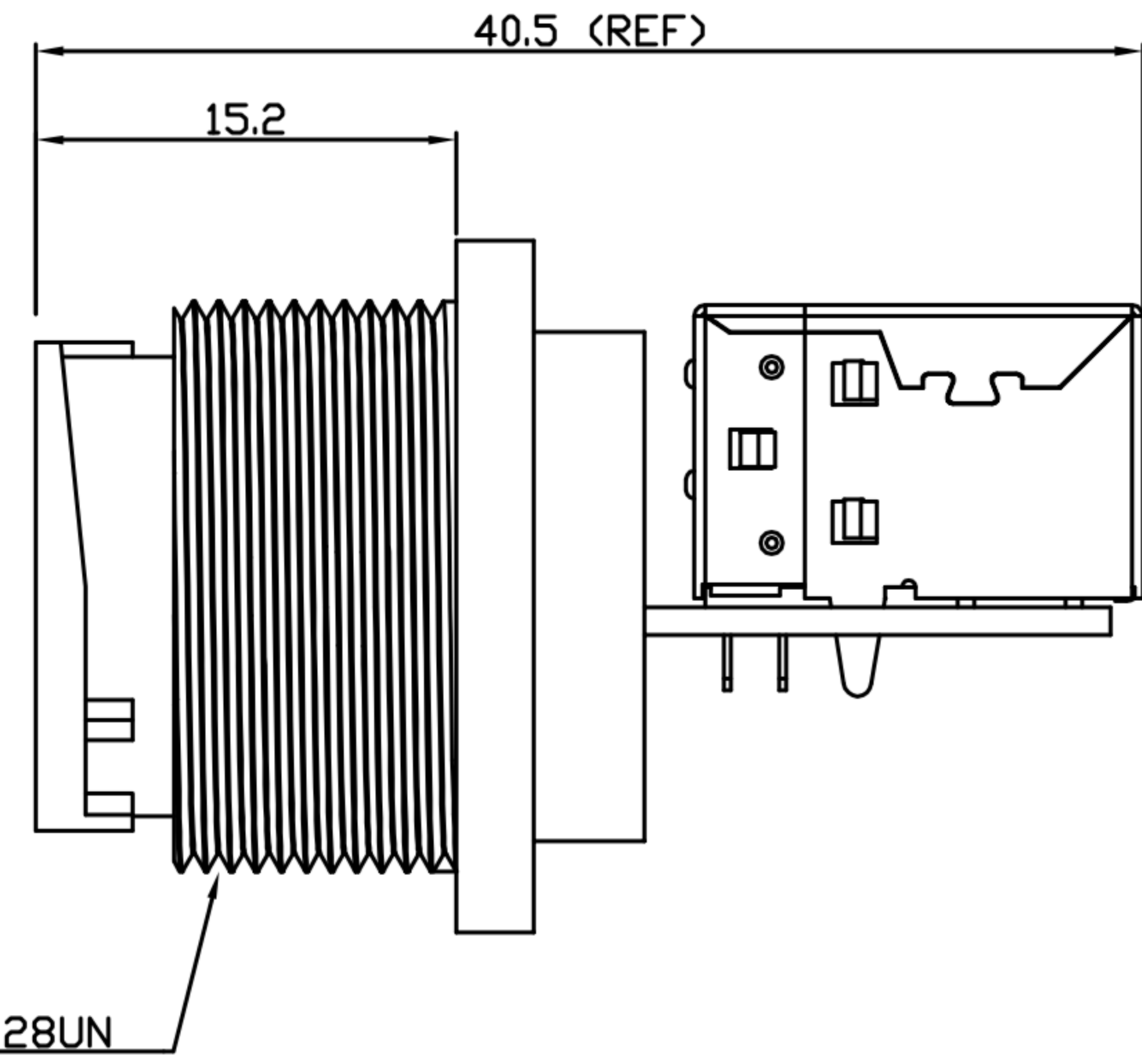
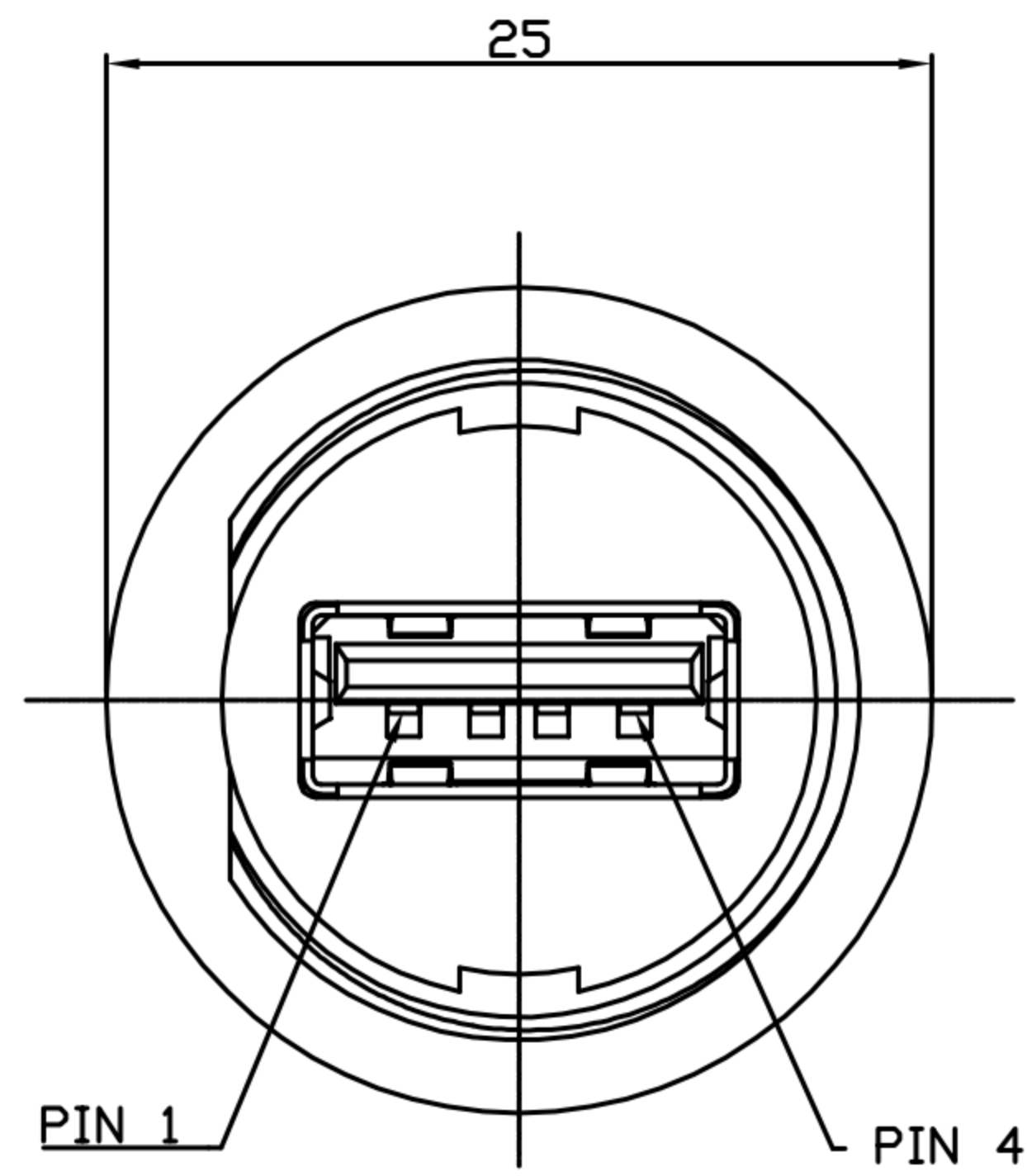
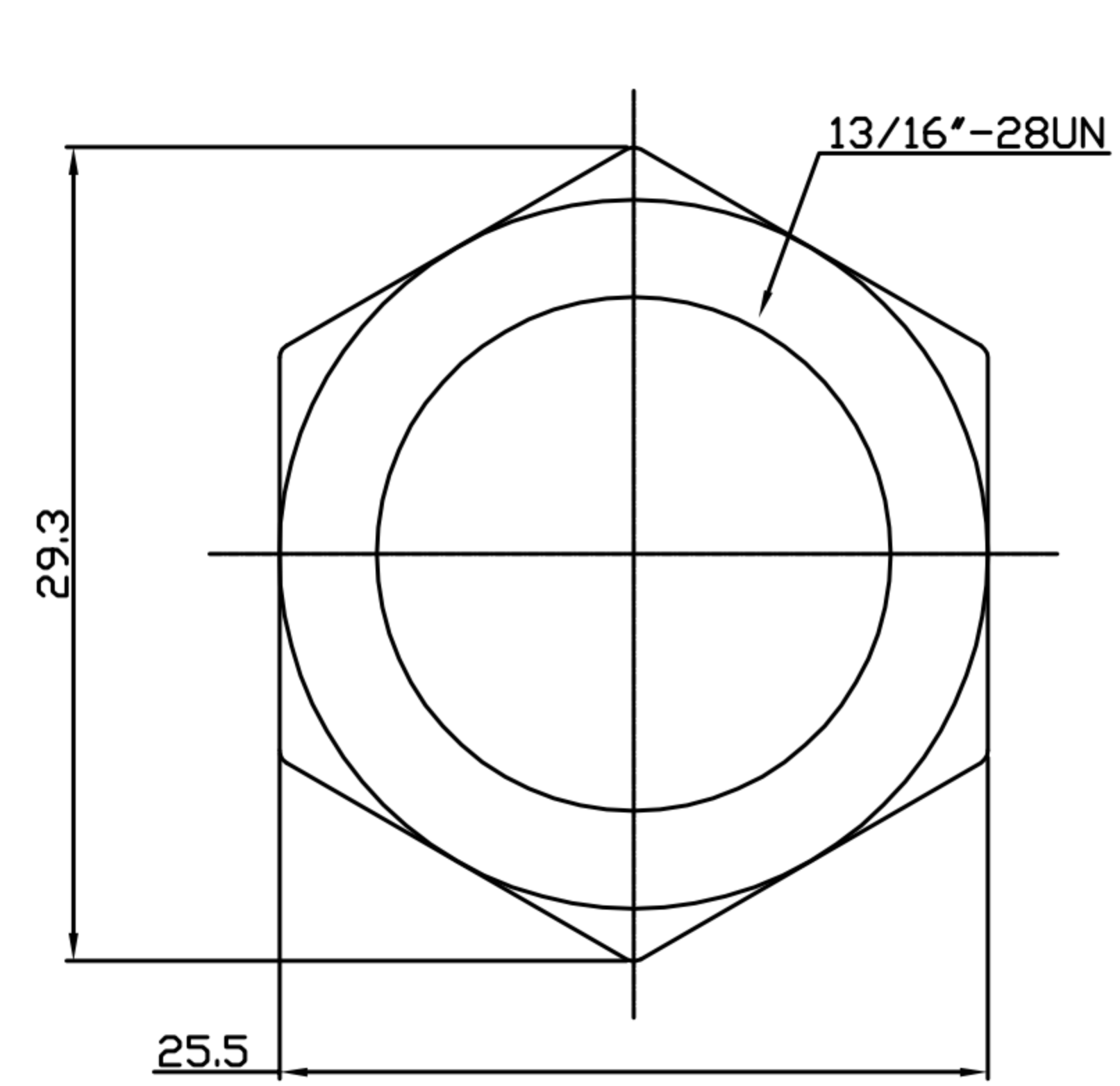


CUSTOMER DRAWING

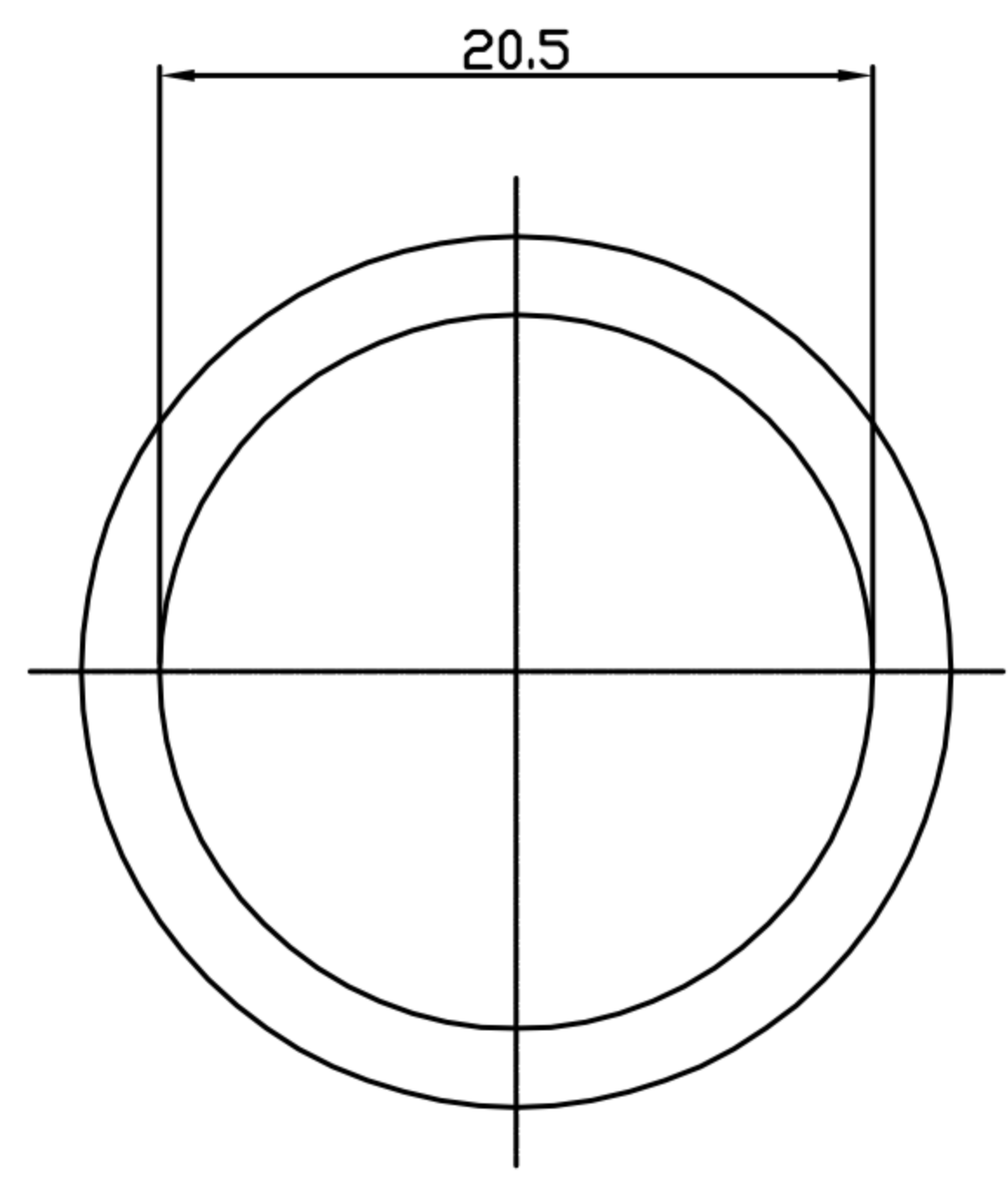
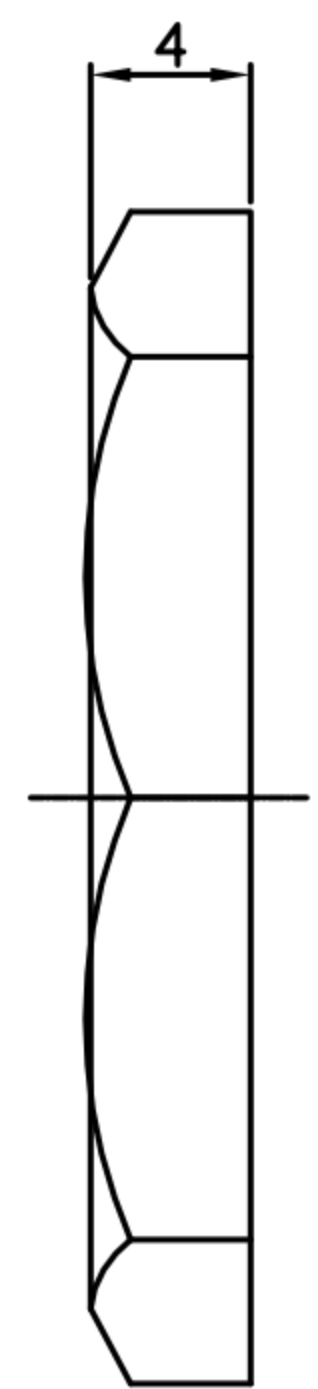
| REV. | DESCRIPTION | APPROVED BY | DATE | ECN NO. |
|------|-------------|-------------|-----------|---------|
| A | RELEASE | Yeh Chou | 04/19/19* | |
| B | | | | |
| C | | | | |



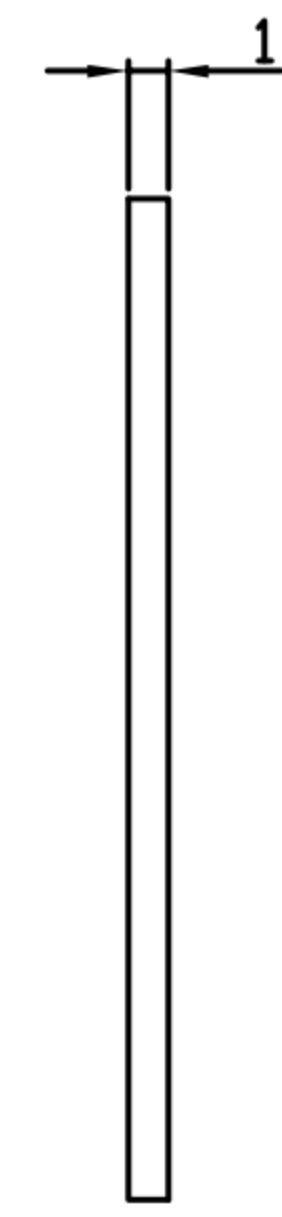
Recommended
Panel Cut-Out



Nut



Gasket



- MATERIAL :
 - 1-1. HOUSING : PBT UL94V-0 ; COLOR : BLACK.
 - 1-2. CONTACT : PHOSPHOR BRONZE
 - 1-3. SHELL : PA66 UL94V-0 ; COLOR : BLACK.
 - 1-4. GROUND : BRASS
 - 1-5. GASKET : SILICONE ; COLOR : GRAY BLACK.
 - 1-6. NUT : PA66
- FINISH :
 - 2-1. CONTACT : GOLD FLASH PLATED
 - 2-2. GROUND : NICKEL PLATED.
- ELECTRICAL SPECIFICATION :
 - 3-1. Rated current : 1.5A
 - 3-2. Rated voltage : 250V AC
 - 3-3. Water proof : IPX7
- Environmental :
 - 4-1. Operation Temperature : -20℃~85℃

| | | | | | | | | | | | | | | |
|-------|----------|-------|---------|-------|-----|--|--|--|----------|----------------------|---------|--------|---------|---|
| DRAWN | Yeh Chou | APP'D | KU Chou | UNIT | mm | TOLERANCE | | 广东科斯达电子科技有限公司 GUANG DONG KE SI DA ELECTRONIC TECHNOLOGY CO., LTD. | TITLE | 防水USB(F) A TO B (快插) | | | SHEET | 1 |
| CHK'D | KU Chou | | | SCALE | 1:1 | .x ±0.20 .xx ±0.10 .xxx ±0.05 .xxxx ±0.03 ANGULA ±1° | | | PART NO. | US-04F3-37-11 | DWG NO. | QC9248 | VERSION | A |