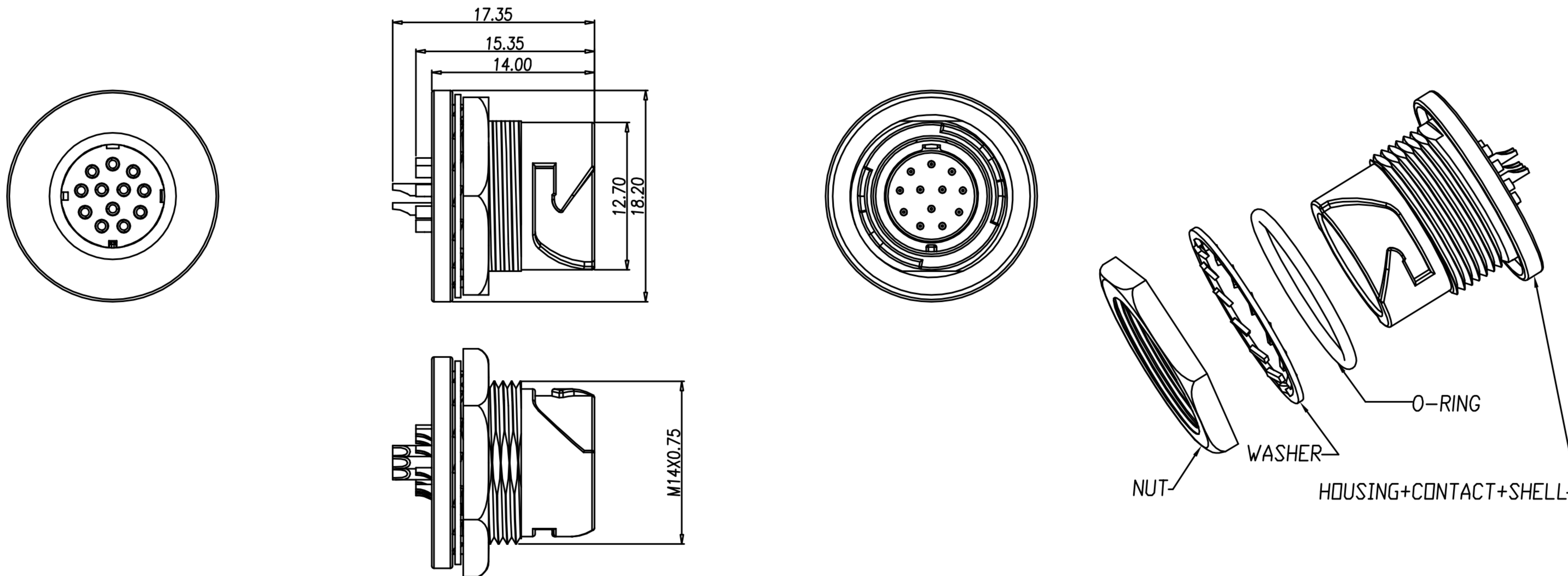


CUSTOMER DRAWING

REV.	DESCRIPTION	APPROVED BY	DATE	ECN NO.
△A				
△B				
△C				



Contact position arrangement and specifications

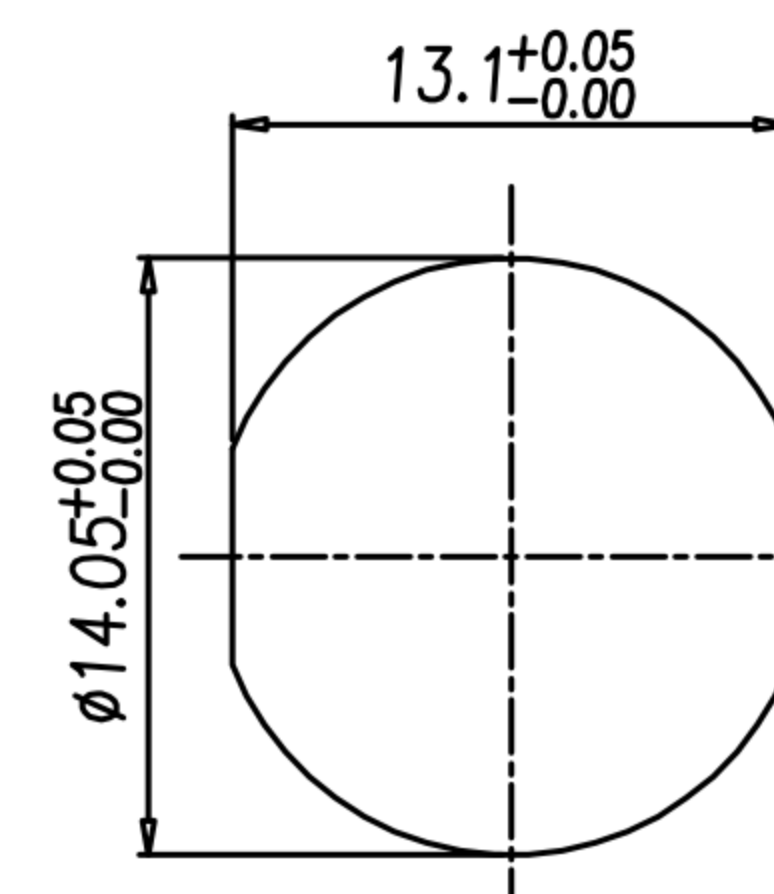
Contact configuration		Withstanding voltage	300V AC	Operating temperature range	-25°C to +85°C
		Voltage rating	30V AC, 42V DC	Storage temperature range	-10°C to +60°C
		Current rating	2A	Insulation resistance	1000MΩ
		Contact resistance	15MΩ	Water proof	IP67

MATERIAL

HOUSING	PPS UL94V-0/BLACK	RECEPTACLE SHELL	ZINC ALLOY	WASHER	PHOSPHOR BRONZE
CONTACT	BRASS	NUT	BRASS	O-RING	EPDM/BLACK

FINISH

CONTACT	GOLD FLASH	RECEPTACLE SHELL	NICKEL	Internal Tooth Washers	NICKEL
NUT	NICKEL				



RECOMMEND PANEL CUT-OUT

DRAWN	Leo	APP'D	Ku Chou	UNIT	mm	TOLERANCE			广东科斯达电子科技有限公司 GUANG DONG KE SI DA ELECTRONIC TECHNOLOGY CO., LTD.	TITLE	DIN 12PIN(M) LF 前鎖焊線式			SHEET	
CHK'D	Emily Suen			SCALE	1:1					PART NO.	DI-12M2-06-11	DWG NO.	QC6514	VERSION	A