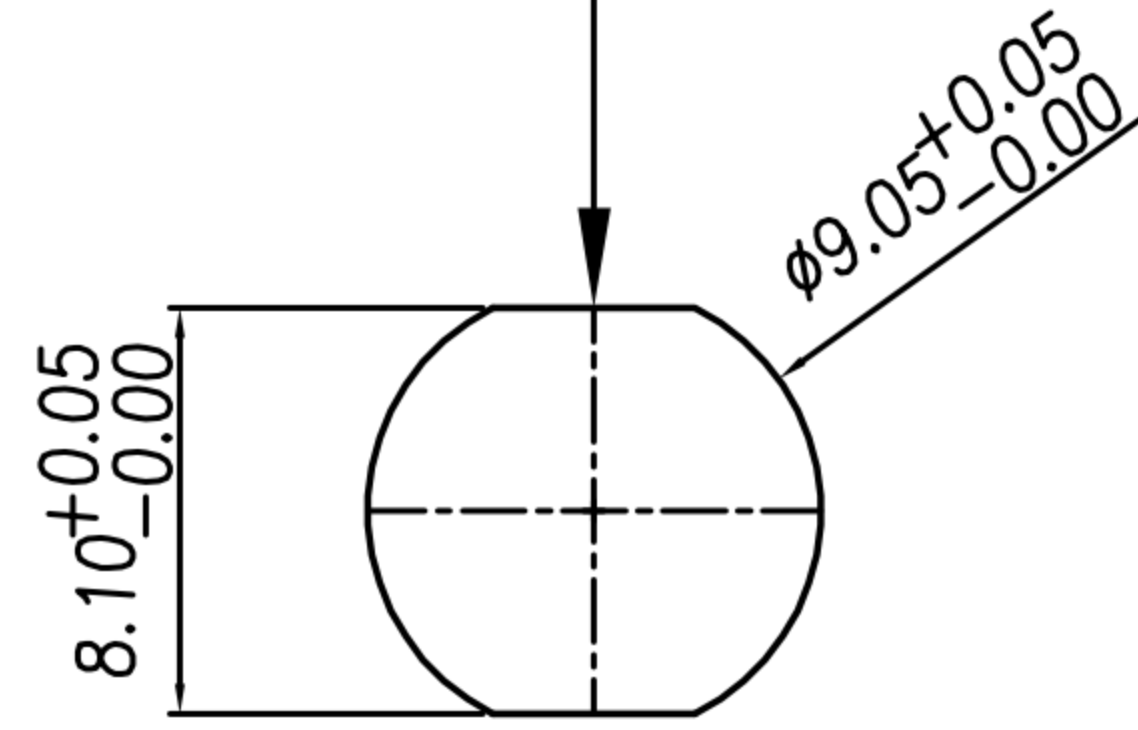


CUSTOMER DRAWING

REV.	DESCRIPTION	APPROVED BY	DATE	ECN NO.
△A	RELEASE	Emily Suen	25/10/11'	
△B				
△C				
△D				

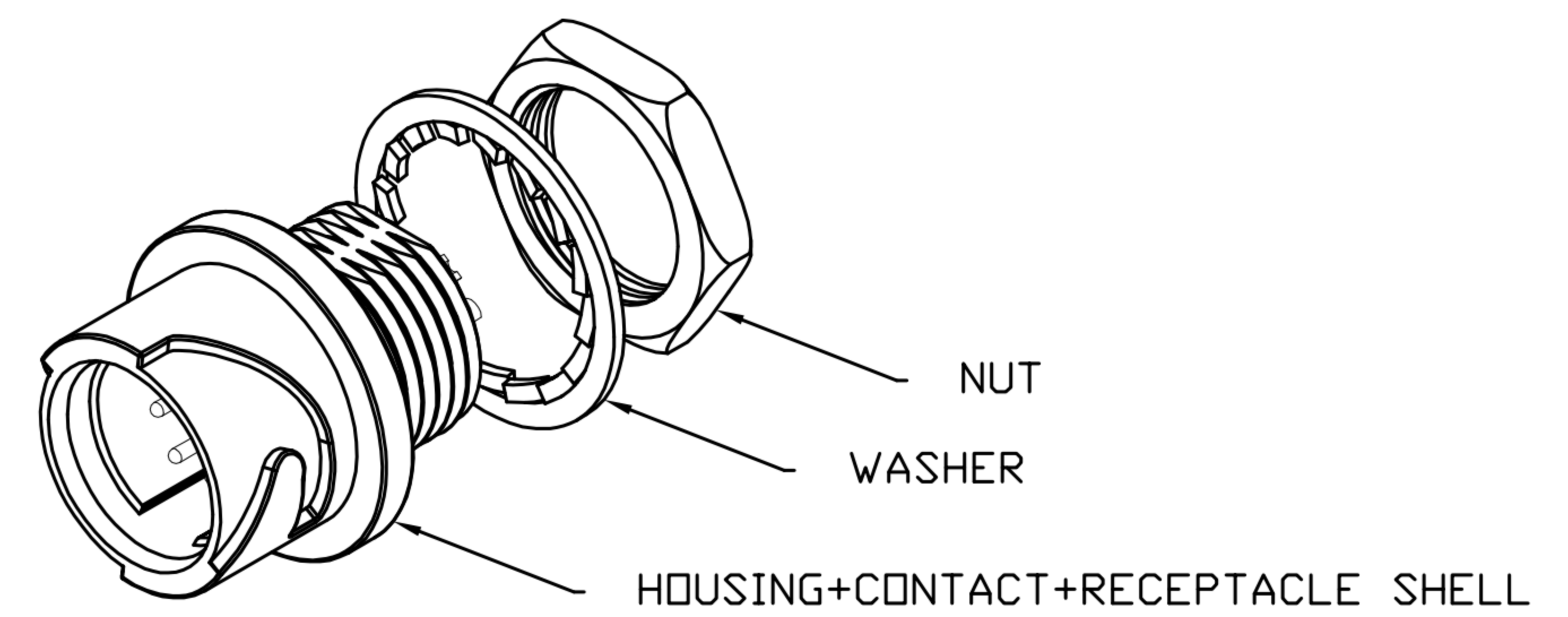
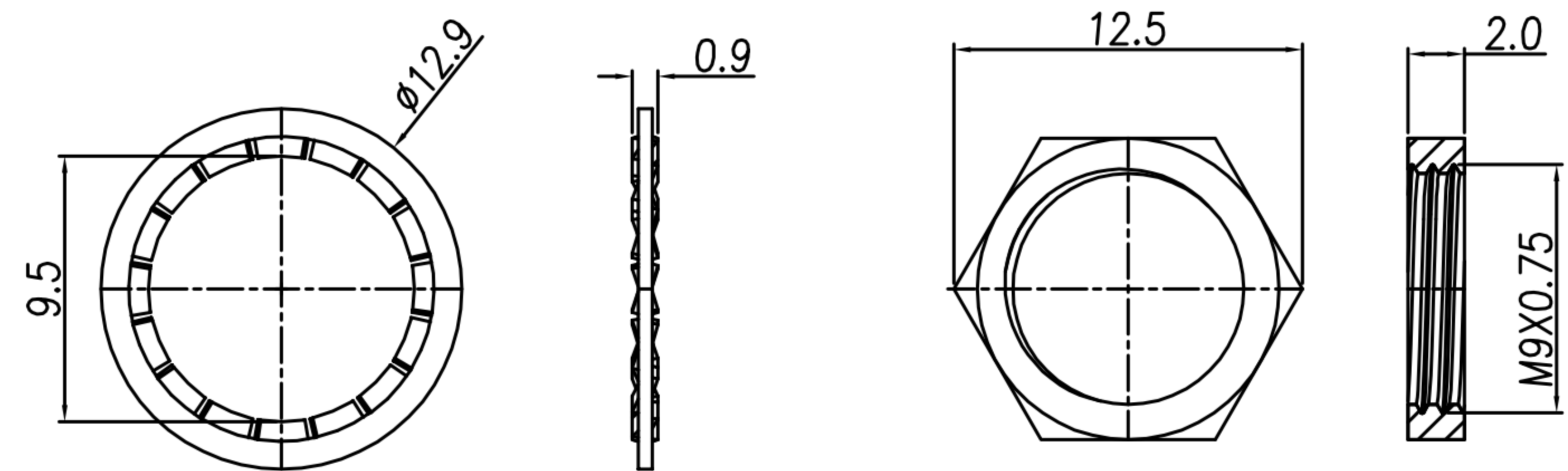
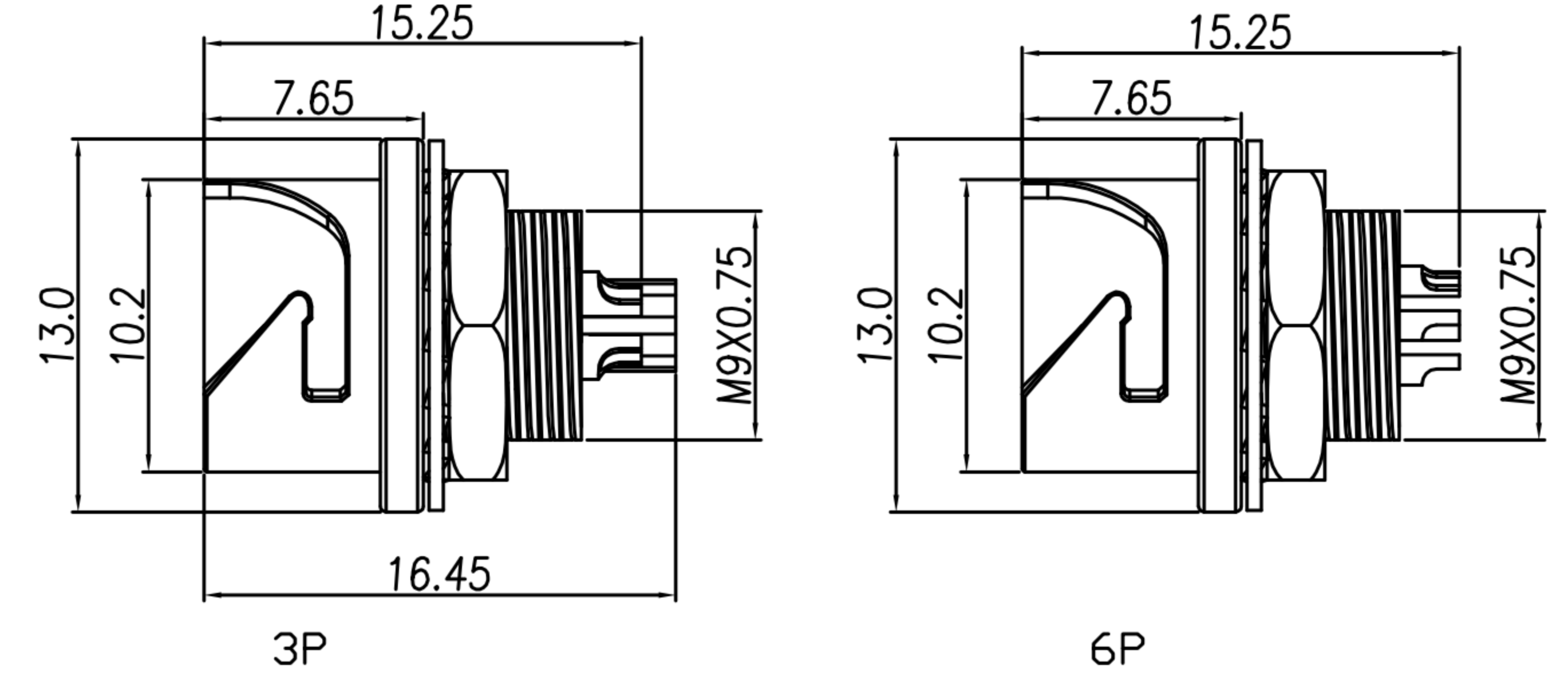
ALIGNMENT GUIDE



RECOMMENDED MOUNTING HOLE
(Panel thickness 0.7~2)

TABLE A

CONTACT ARRANGEMENT(FRONT VIEW)	
WP-03M2-30	WP-06M2-21



1. MATERIAL :
- 1-1. HOUSING : PPS UL94V-0
COLOR : BLACK
 - 1-2. CONTACT : BRASS
 - 1-3. RECEPTACLE SHELL : ZINC ALLOY
 - 1-4. WAHSER : PHOSPHOR BRONZEC
 - 1-5. NUT : BRASS
 - 1-6. O-RING : EPDM ; COLOR : BLACK.

2. FINISH :
- 2-1. CONTACT : GOLD FLASH
 - 2-2. RECEPTACLE SHELL : NICKEL
 - 2-3. WAHSER : NICKEL
 - 2-4. NUT : NICKEL

3. ELECTRICAL SPECIFICATION :
- 3-1. Rated current : 3PIN 5A ; 6PIN 2A
 - 3-2. Rated voltage : 3PIN 125V AC / 175V DC ;
6PIN 30V AC / 42V DC
 - 3-3. Water proof : IP67
4. Environmental :
- 4-1. Operation Temperature : -25℃~85℃

DRAWN	Mark Kao	APPV'L	Ku Chou	UNIT	mm	TOLERANCE		广东科斯达电子科技有限公司 GUANG DONG KE SI DA ELECTRONIC TECHNOLOGY CO., LTD.	TITLE	WP (M)前鎖焊線式(RECEPTACLE-LF07 TYPE)			SHEET	1
CHK'D	Emily Suen			SCALE	1:1	.x ±0.20 .xx ±0.10 .xxx ±0.05 .xxxx ±0.03 ANGULA ±1°			PART NO.	SEE TABLE A	DWG NO.	QC5717	VERSION	A